



## SPARE PART LIST

# DSX



**08/2022**

REV DATE: 05/08/22

**HORIZON**  
AGRICULTURE

## CONTENT

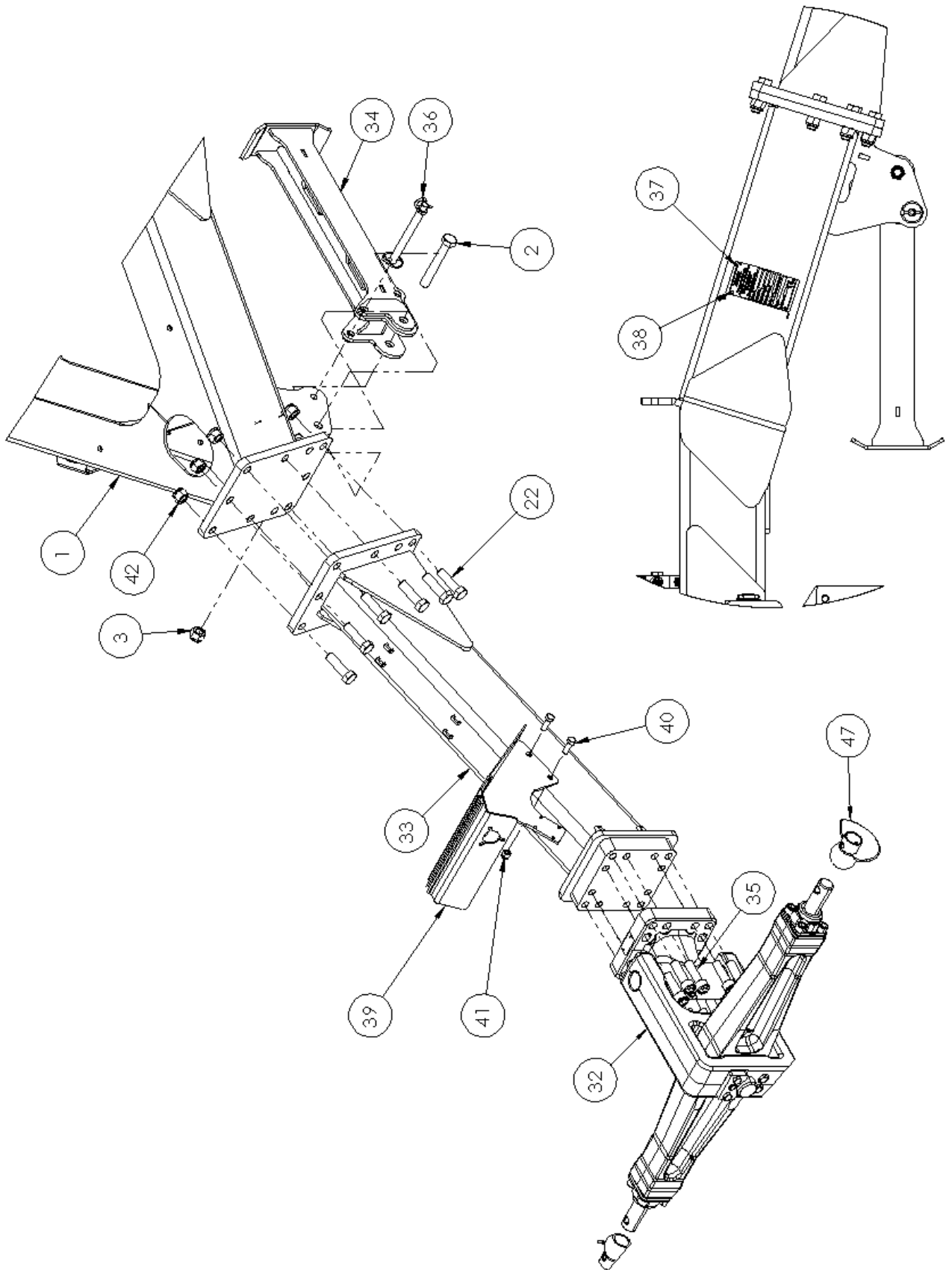
|  |           |
|--|-----------|
| <b>1010790 – CHASSIS</b> .....                     | <b>5</b>  |
| FRONT FRAME .....                                  | 5         |
| CENTRE FRAME.....                                  | 7         |
| BACK FRAME.....                                    | 9         |
| <b>1010902 – WING EXTENSION 1000MM LH</b> .....    | <b>10</b> |
| <b>1010903 – WING EXTENSION 1000MM RH</b> .....    | <b>11</b> |
| <b>1014361 – WING EXTENSION 500MM LH</b> .....     | <b>12</b> |
| <b>1014362 – WING EXTENSION 500MM RH</b> .....     | <b>13</b> |
| <b>1010909 – TOOLBAR EXTENSION 1000MM</b> .....    | <b>14</b> |
| <b>1014363 – TOOLBAR EXTENSION 550MM</b> .....     | <b>15</b> |
| <b>1015175 - TOOLBOX</b> .....                     | <b>16</b> |
| <b>1010998 – TANK ASSEMBLY</b> .....               | <b>17</b> |
| TANK.....  | 17        |
| LID AND BASKETS.....                               | 18        |
| STEPS AND HANDRAILS.....                           | 20        |
| <b>1015259 – TANK PRESSURE GAUGE</b> .....         | <b>21</b> |
| <b>1015367 – TANK TOP HANDRAILS</b> .....          | <b>22</b> |
| <b>1014369 – COVER PLATE (2 TANK OPTION)</b> ..... | <b>23</b> |
| <b>1014370 – COVER PLATE (3 TANK OPTION)</b> ..... | <b>24</b> |
| <b>1014372 – FUNNEL (3 TANK OPTION)</b> .....      | <b>25</b> |
| <b>1014388 – PLATFORM/LADDER</b> .....             | <b>26</b> |
| <b>1014484 – LIGHTING KIT</b> .....                | <b>27</b> |
| <b>1015086 – FRONT SIGNALISATION KIT</b> .....     | <b>28</b> |
| <b>1016400 – SEEDING ELEMENT NARROW RH</b> .....   | <b>29</b> |
| 1010305 – PARRALLELOGRAM .....                     | 30        |
| 1016270 – DISC SUPPORT RH .....                    | 31        |
| 1010325 – DISC/HUB ASSEMBLY .....                  | 33        |
| 1010323 – HUB ASSEMBLY .....                       | 34        |
| 1016980 – CYCLONE WITH SUPPROT RH .....            | 35        |
| 1016970 – CLOSING ARM RH .....                     | 36        |
| 1010207 – SEED BOOT RH.....                        | 37        |
| 1014585 – TRASH WHEEL RH .....                     | 38        |
| <b>1016401 – SEEDING ELEMENT NARROW LH</b> .....   | <b>39</b> |
| 1010305 – PARALLELOGRAM .....                      | 40        |
| 1016275 – DISC SUPPORT LH .....                    | 41        |
| 1010325 – DISC/HUB ASSEMBLY .....                  | 43        |
| 1010323 – HUB ASSEMBLY .....                       | 44        |
| 1016985 – CYCLONE WITH SUPPORT LH.....             | 45        |
| 1016975 – CLOSING ARM LH .....                     | 46        |
| 1010208 – SEED BOOT LH .....                       | 48        |
| 1014586 – TRASH WHEEL ASSEMBLY LH.....             | 49        |

## CONTENT

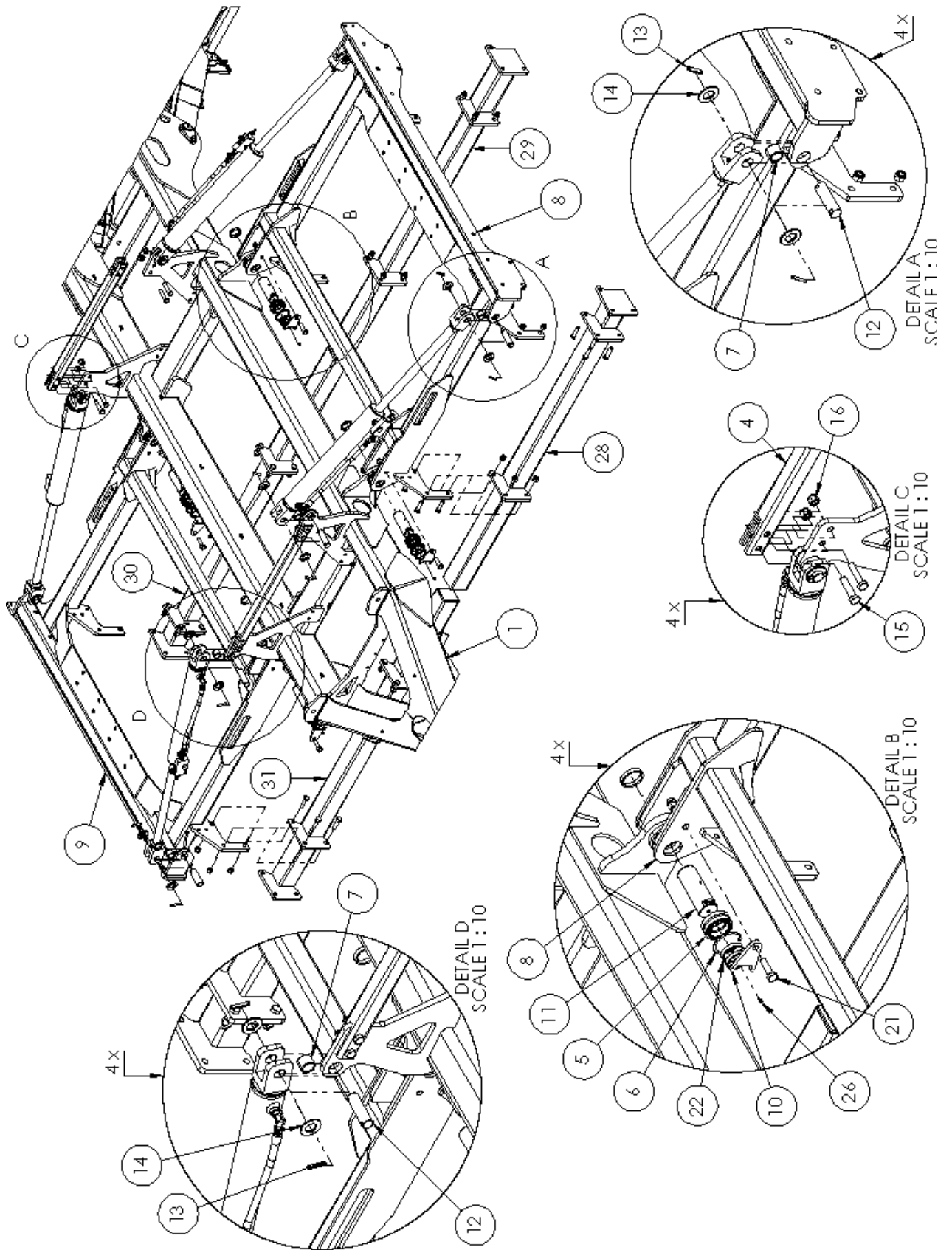
|  |           |
|--|-----------|
| <b>1017298 – TIRE CLAMPING KIT</b> .....                     | <b>50</b> |
| <b>1018585 – V WHEEL AND HUB</b> .....                       | <b>51</b> |
| <b>1018590 – W WHEEL AND HUB</b> .....                       | <b>51</b> |
| <b>1017735 – STEEL WHEEL AND HUB</b> .....                   | <b>51</b> |
| <b>1014377 – PNEUMATIC TRANSPORT 2 TANKS</b> .....           | <b>52</b> |
| <b>1014381 – PNEUMATIC TRANSPORT 3 TANKS</b> .....           | <b>54</b> |
| <b>1010415 – TURBINE ASSEMBLY</b> .....                      | <b>56</b> |
| <b>1010894 – INJECTOR BOX</b> .....                          | <b>57</b> |
| <b>1012300 – METERING UNIT</b> .....                         | <b>58</b> |
| 1012338 – GUILLOTINE.....                                    | 60        |
| 1014260 – ROTOR KIT LARGE SEED/FERTILIZER.....               | 61        |
| 1014343 – ROTOR KIT SMALL SEED .....                         | 62        |
| 1017799 – METER ROTORS.....                                  | 63        |
| <b>1014506 – CALIBRATION KIT</b> .....                       | <b>64</b> |
| <b>1015740 – DISTRIBUTION HEAD</b> .....                     | <b>65</b> |
| <b>1014037 – HOSE GUIDE</b> .....                            | <b>66</b> |
| <b>1015116 – ELECTRIC CONTROL</b> .....                      | <b>67</b> |
| <b>1015121 – HYDRAULIC KIT (PRE 07/2022)</b> .....           | <b>69</b> |
| 1015131 – PRESSURE REGULATOR VALVE (PRE 07-2022).....        | 71        |
| <b>1021170- HYDRAULICS KIT ASSEMBLY (POST-07/2022)</b> ..... | <b>72</b> |
| 1021160- HYDRAULIC BLOCK ASSEMBLY (POST-07/2022) .....       | 74        |
| <b>1015132 – TURBINE HYDRAULIC KIT</b> .....                 | <b>75</b> |
| <b>1015710 – TURBINE WITH OIL COOLER HYDRAULIC KIT</b> ..... | <b>77</b> |
| <b>1015067 – HYDRAULIC BRAKES</b> .....                      | <b>79</b> |
| <b>1015094 – PNEUMATIC BRAKES</b> .....                      | <b>81</b> |
| <b>1014376 – END ROW KIT</b> .....                           | <b>83</b> |
| <b>1014342 – INTER ROW HOSE KIT</b> .....                    | <b>84</b> |
| <b>1014339 – ROW UNIT LOCK UP KIT</b> .....                  | <b>85</b> |
| <b>1018650 – TRAMLINE KIT</b> .....                          | <b>86</b> |
| <b>1014670- LIQUID TANK SUPPORT</b> .....                    | <b>87</b> |
| <b>1018170 – LIQUID TUBES</b> .....                          | <b>88</b> |
| <b>1018285 – FLOW INDICATOR KIT</b> .....                    | <b>89</b> |
| <b>1018290 – FLOW INDICATOR FITTING KIT</b> .....            | <b>90</b> |
| <b>1014700 – PELLET SPREADER SUPPORT</b> .....               | <b>91</b> |
| <b>1017067 – AIR RESERVOIR SUPPORT</b> .....                 | <b>92</b> |
| <b>1018495 – CONTROL BOX SINGLE - KIT</b> .....              | <b>93</b> |
| <b>1014602 – CLEANSWEEP CONTROL BOX</b> .....                | <b>94</b> |

CONTENT

**1015152 – AIR SUPPLY KIT - UK.....95**  
**1015172 - AIR SUPPLY KIT - EU.....96**  
**1015159 – COMPRESSOR AND TANK .....97**  
    1015164 – COMPRESSOR MOUNT..... 99  
**STICKERS.....100**



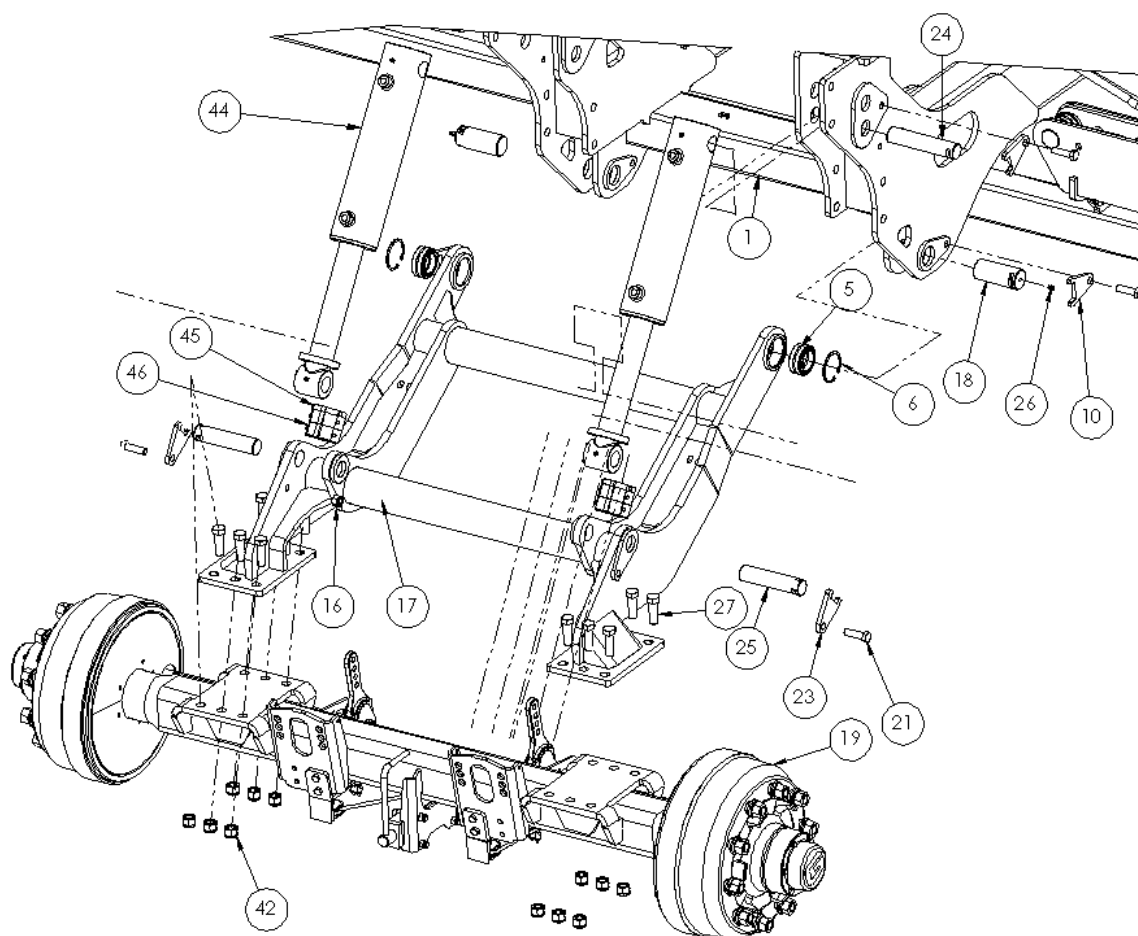
| ITEM NO. | PART NUMBER | DESCRIPTION                      | QTY |
|----------|-------------|----------------------------------|-----|
| 1        | 1010766     | MAIN CHASSIS                     | 1   |
| 2        | 1011139     | HEX BOLT M20x140 8.8 ZN          | 1   |
| 3        | 1011235     | HEX LOCK NUT M20 ZN              | 1   |
| 22       | 1014394     | HEX BOLT M20x70 10.9 ZN          | 10  |
| 32       | 1010155     | LOWER LINKAGE HITCH CAT.3 12XM20 | 1   |
| 33       | 1010767     | HITCH                            | 1   |
| 34       | 1010776     | STAND                            | 1   |
| 35       | 1010545     | CAP SCREW M20x70 8.8 ZN          | 12  |
| 36       | 1014120     | PIN Ø 16x162mm                   | 1   |
| 37       | 1012101     | SERIAL NUMBER PLATE              | 1   |
| 38       | 1012016     | DRIVE SCREW Ø 2.9X8mm            | 4   |
| 39       | 1010942     | HOSE SUPPORT                     | 1   |
| 40       | 1011541     | HEX BOLT M12x35 8.8 ZN           | 2   |
| 41       | 1011229     | HEX LOCK NUT M12 ZN              | 2   |
| 42       | 1014976     | HEX LOCK NUT M20 10.9 ZN         | 10  |
| 47       | 1017301     | LOWER LINK BALL W CONE CAT.3     | 2   |



| ITEM NO. | PART NUMBER | DESCRIPTION                             | QTY |
|----------|-------------|---|-----|
| 1        | 1010766     | MAIN CHASSIS                            | 1   |
| 4        | 1010759     | TUBE 50x50x6                            | 2   |
| 5        | 1010546     | SPHERICAL PLAIN BEARING Ø50             | 6   |
| 6        | 1013006     | CIRCLIP INTERNAL Ø75 ZN                 | 6   |
| 7        | 1010146     | EXPANSION BUSH Ø30/ 38-30               | 8   |
| 8        | 1010765     | MAIN WING LH                            | 1   |
| 9        | 1010764     | MAIN WING RH                            | 1   |
| 10       | 1010124     | FIXATION PLATE PIN Ø50mm                | 6   |
| 11       | 1010709     | PIN Ø50 L120/140                        | 4   |
| 12       | 1010122     | PIN Ø30 L80/100                         | 8   |
| 13       | 1011502     | ROLL PIN Ø8X50                          | 16  |
| 14       | 1011443     | WASHER M30 ZN                           | 16  |
| 15       | 1011107     | HEX BOLT M16x70 8.8 ZN                  | 8   |
| 16       | 1011233     | HEX LOCK NUT M16 ZN                     | 18  |
| 22       | 1010791     | SPACER Ø51/60-10                        | 12  |
| 26       | 1010147     | GREASE NIPPLE M8x1 ZN                   | 6   |
| 28       | 1010905     | TOOLBAR FRONT ASSEMBLY LH               | 1   |
| 29       | 1010906     | TOOLBAR BACK ASSEMBLY LH                | 1   |
| 30       | 1010907     | TOOLBAR BACK ASSEMBLY RH                | 1   |
| 31       | 1010908     | TOOLBAR FRONT ASSEMBLY RH               | 1   |
| 43       | 1010243     | HYDRAULIC CYLINDER ASSEMBLY Ø40/80 S600 | 4   |

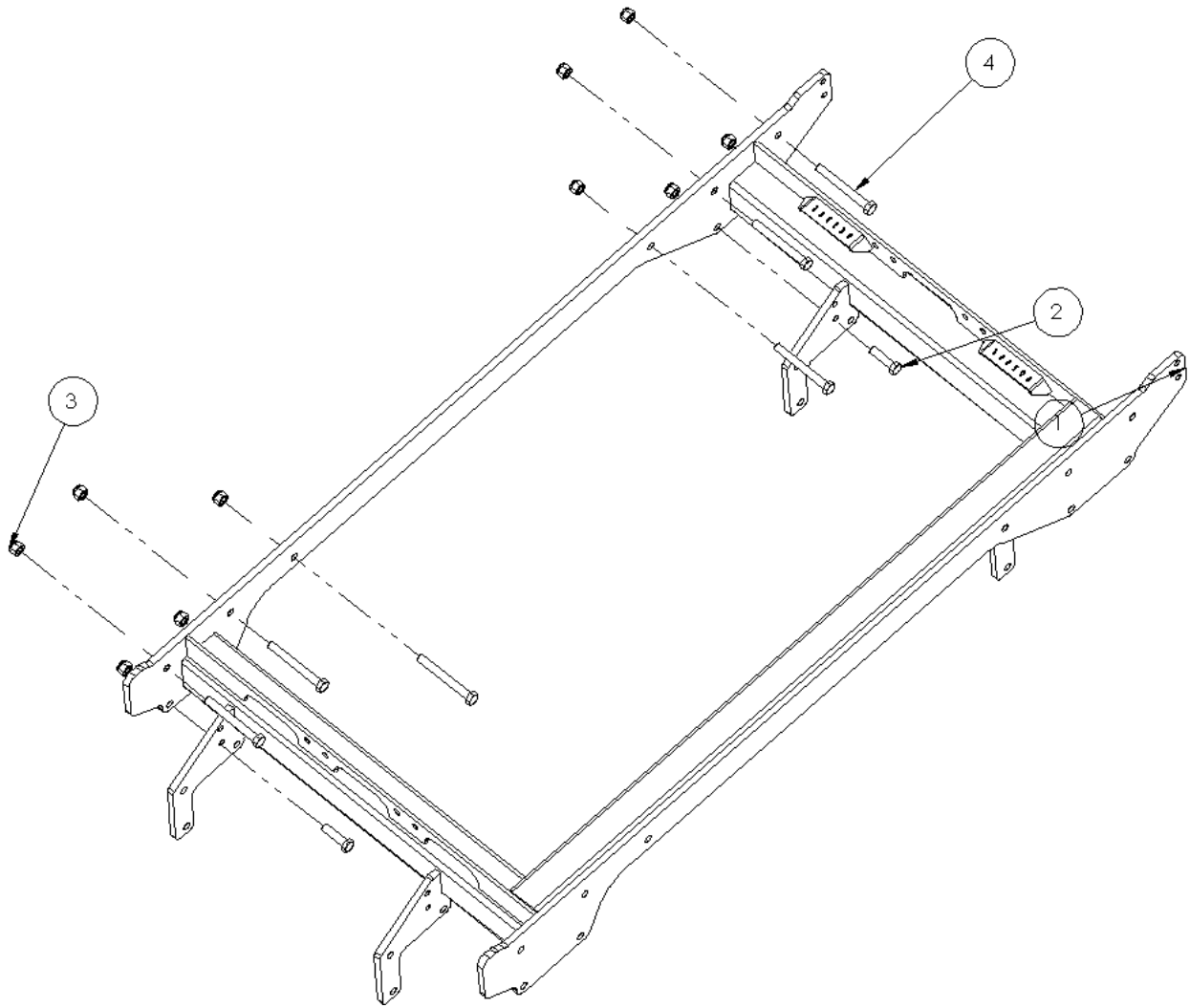
For a replacement Seal Kit for the hydraulic cylinder 1010243 (1010073) please order 1017966.



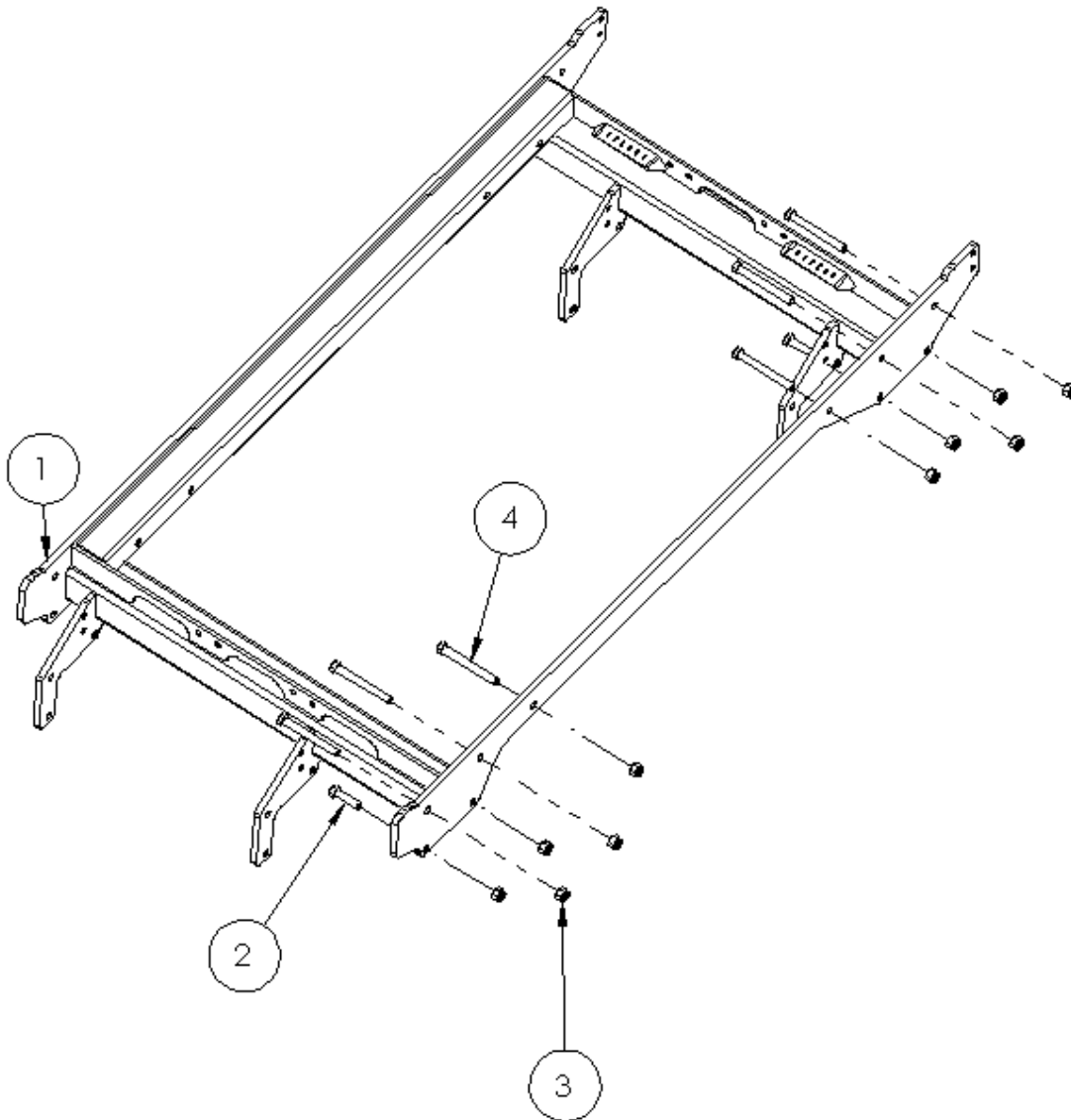


| ITEM NO. | PART NUMBER | DESCRIPTION                     | QTY |
|----------|-------------|---------------------------------|-----|
| 5        | 1010546     | SPHERICAL PLAIN BEARING Ø50     | 6   |
| 6        | 1013006     | CIRCLIP INTERNAL Ø75 ZN         | 6   |
| 10       | 1010124     | FIXATION PLATE PIN Ø50mm        | 6   |
| 16       | 1011233     | HEX LOCK NUT M16 ZN             | 18  |
| 17       | 1010789     | AXLE SUPPORT                    | 1   |
| 18       | 1010708     | PIN Ø50 L100/120                | 2   |
| 19       | 1014490     | AXLE ASSEMBLY                   | 1   |
| 21       | 1011351     | HEX BOLT M16x55 8.8 ZN          | 10  |
| 23       | 1010711     | FIXATION PLATE PIN Ø40mm        | 4   |
| 24       | 1010712     | PIN Ø40 L170/190                | 2   |
| 25       | 1010710     | PIN Ø40 L150/170                | 2   |
| 26       | 1010147     | GREASE NIPPLE M8X1 ZN           | 6   |
| 27       | 1011307     | HEX BOLT M20x60 10.9 ZN         | 12  |
| 42       | 1014976     | HEX LOCK NUT M20 10.9 ZN        | 22  |
| 44       | 1010680     | HYDRAULIC CYLINDER Ø100/60 S300 | 2   |
| 45       | 1014221     | STROKE LIMITER Ø40-60 12.7mm    | 2   |
| 46       | 1014223     | STROKE LIMTIER Ø40-60 31.8mm    | 4   |

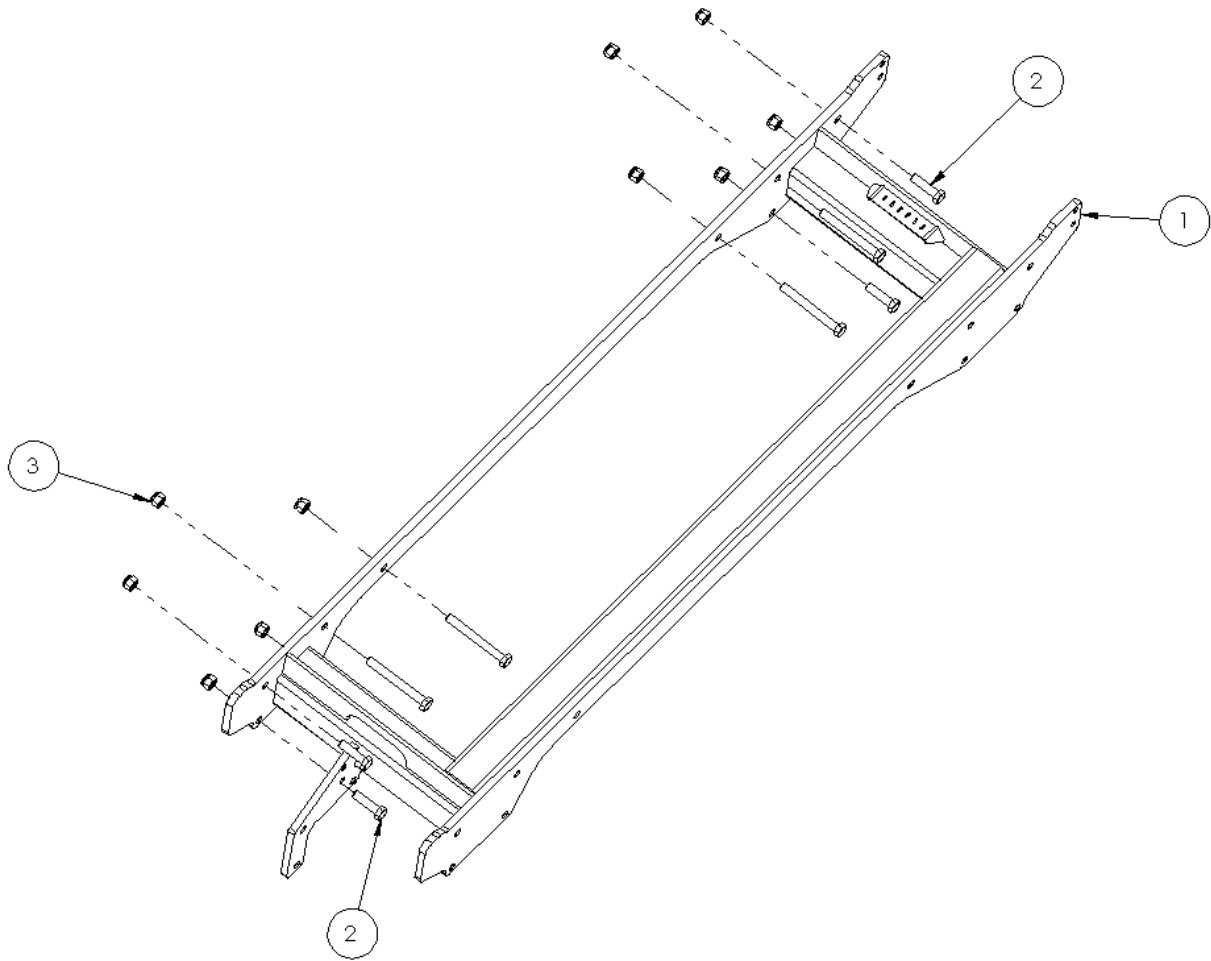
For a replacement Seal Kit for the hydraulic cylinder 1010680 please order 1017968.



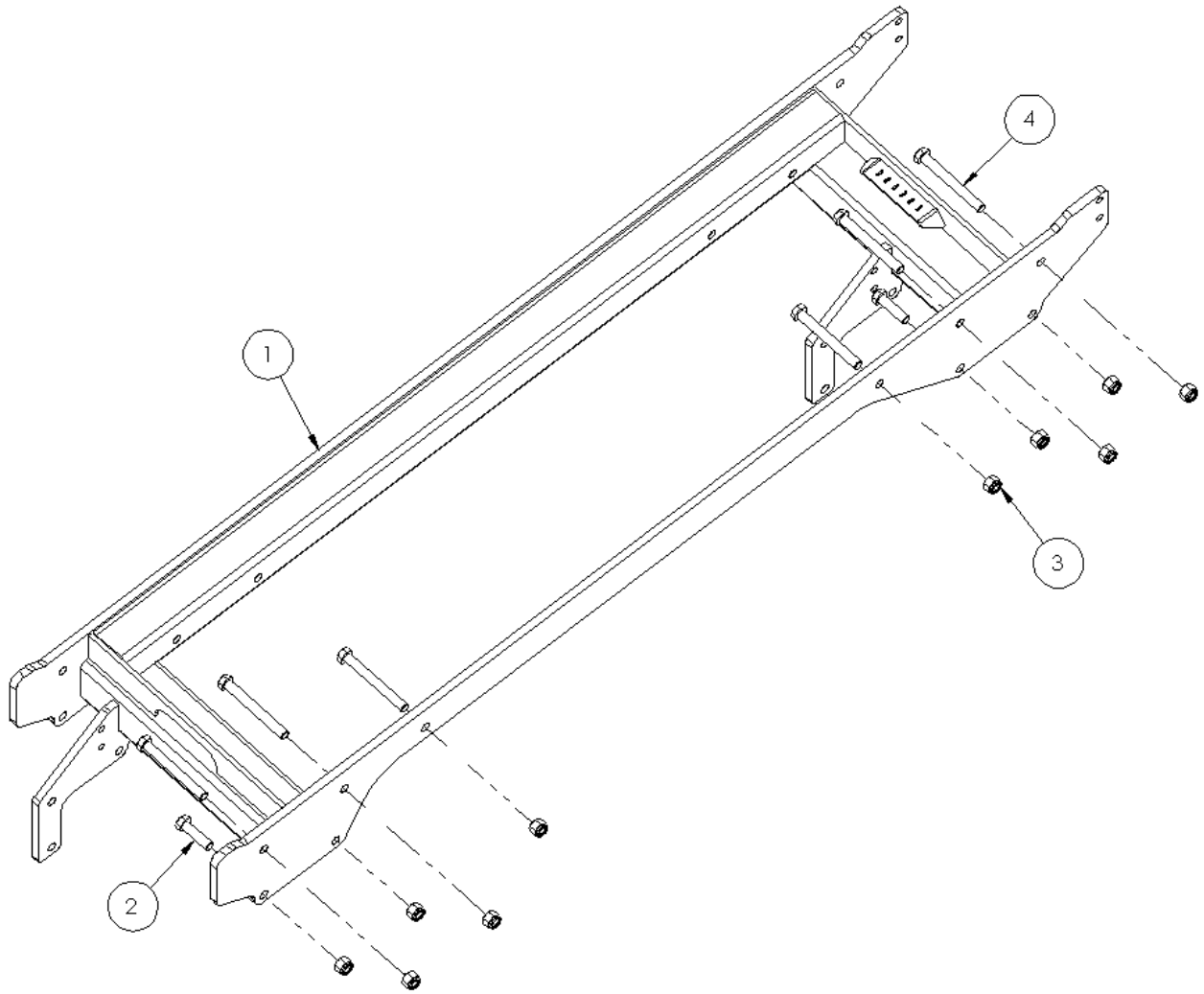
| ITEM NO. | PART NUMBER | DESCRIPTION              | QTY |
|----------|-------------|--------------------------|-----|
| 1        | 1010761     | WING EXTENSION 1000mm LH | 1   |
| 2        | 1011105     | HEX BOLT M16x60 8.8 ZN   | 4   |
| 3        | 1011233     | HEX LOCK NUT M16 ZN      | 10  |
| 4        | 1011117     | HEX BOLT M16x140 8.8 ZN  | 6   |



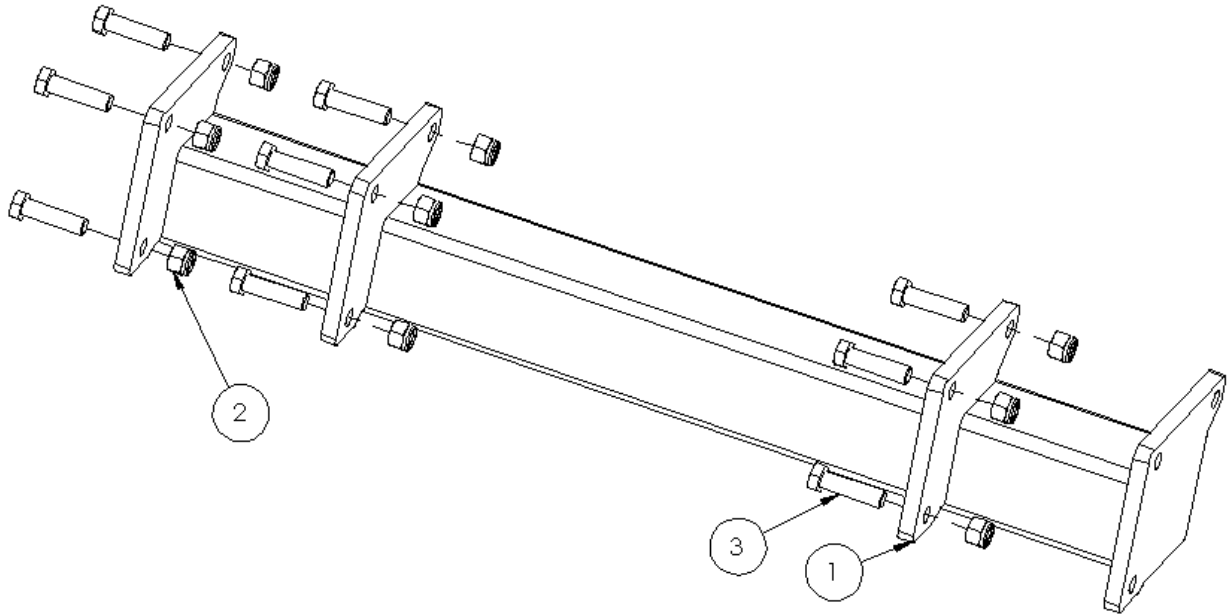
| ITEM NO. | PART NUMBER | DESCRIPTION              | QTY |
|----------|-------------|--------------------------|-----|
| 1        | 1010762     | WING EXTENSION 1000mm RH | 1   |
| 2        | 1011105     | HEX BOLT M16x60 8.8 ZN   | 4   |
| 3        | 1011233     | HEX LOCK NUT M16 ZN      | 10  |
| 4        | 1011117     | HEX BOLT M16x140 8.8 ZN  | 6   |



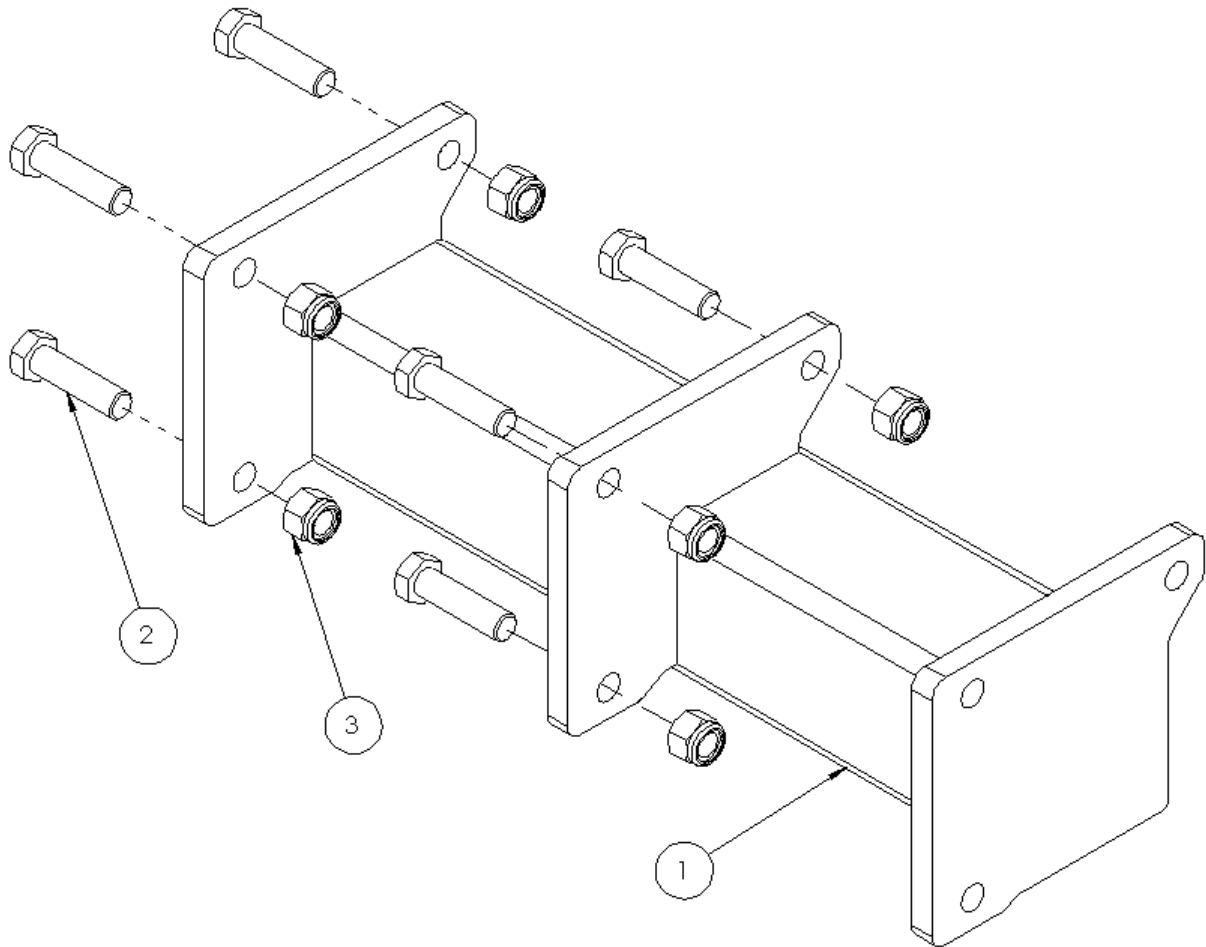
| ITEM NO. | PART NUMBER | DESCRIPTION             | QTY |
|----------|-------------|-------------------------|-----|
| 1        | 1010921     | WING EXTENSION 500mm LH | 1   |
| 2        | 1011105     | HEX BOLT M16x60 8.8 ZN  | 4   |
| 3        | 1011233     | HEX LOCK NUT M16 ZN     | 10  |
| 4        | 1011117     | HEX BOLT M16x140 8.8 ZN | 6   |



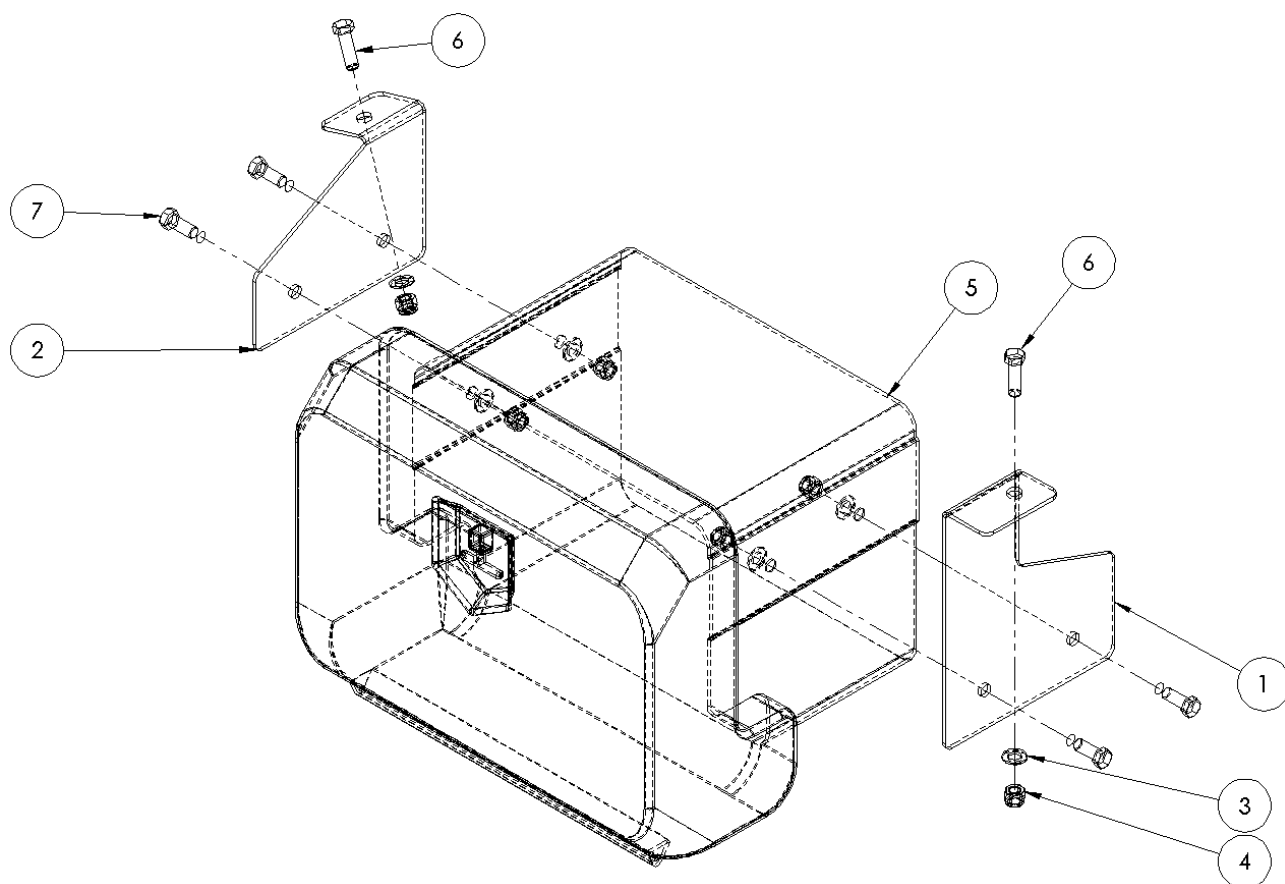
| ITEM NO. | PART NUMBER | DESCRIPTION             | QTY |
|----------|-------------|-------------------------|-----|
| 1        | 1013233     | WING EXTENSION 500mm RH | 1   |
| 2        | 1011105     | HEX BOLT M16x60 8.8 ZN  | 4   |
| 3        | 1011233     | HEX LOCK NUT M16 ZN     | 10  |
| 4        | 1011117     | HEX BOLT M16x140 8.8 ZN | 6   |



| ITEM NO. | PART NUMBER | DESCRIPTION              | QTY |
|----------|-------------|--------------------------|-----|
| 1        | 1010744     | TOOLBAR EXTENSION 1000mm | 1   |
| 2        | 1011233     | HEX LOCK NUT M16 ZN      | 9   |
| 3        | 1011105     | HEX BOLT M16x60 8.8 ZN   | 9   |

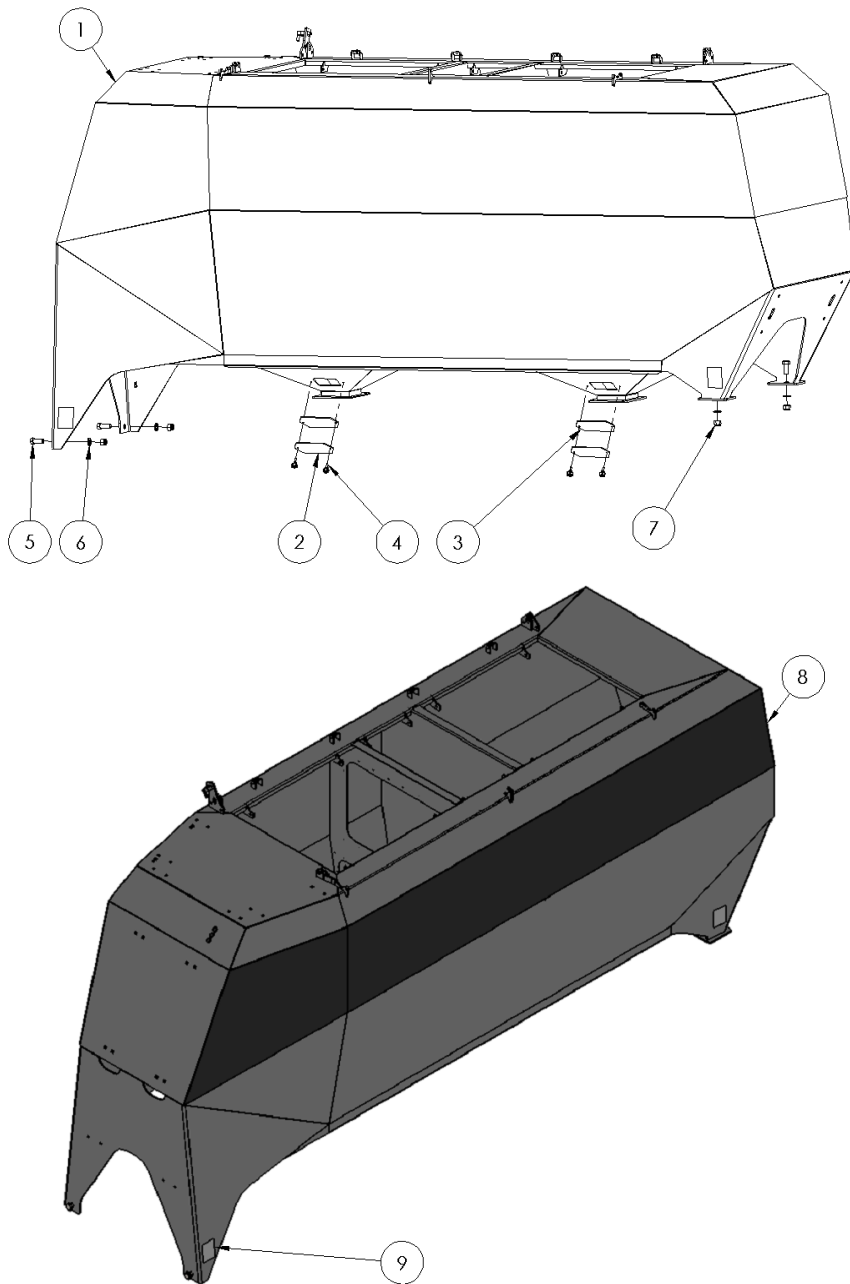


| ITEM NO. | PART NUMBER | DESCRIPTION             | QTY |
|----------|-------------|-------------------------|-----|
| 1        | 1014042     | TOOLBAR EXTENSION 550mm | 1   |
| 2        | 1011105     | HEX BOLT M16x60 8.8 ZN  | 6   |
| 3        | 1011233     | HEX LOCK NUT M16 ZN     | 6   |

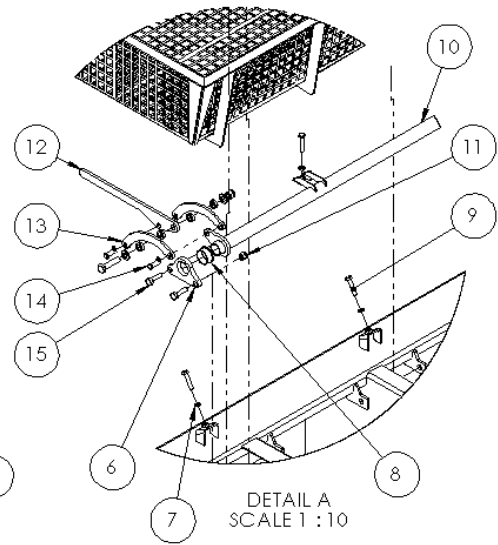
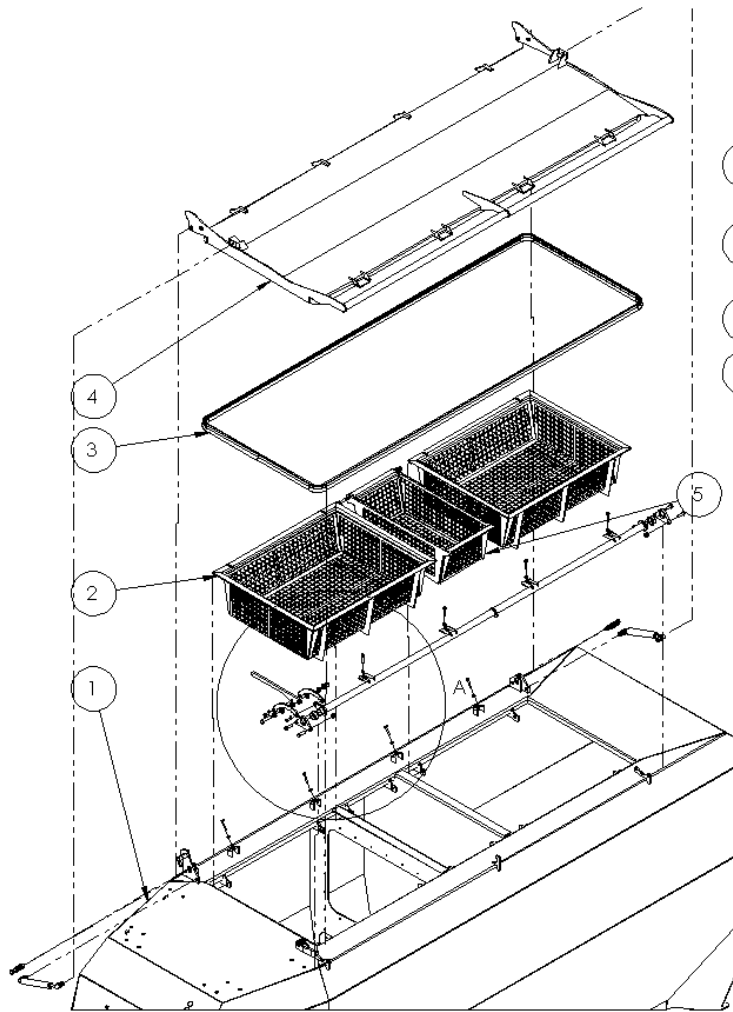


| ITEM NO. | PART NUMBER | DESCRIPTION            | QTY |
|----------|-------------|------------------------|-----|
| 1        | 1015176     | TOOLBOX MOUNT RIGHT    | 1   |
| 2        | 1015177     | TOOLBOX MOUNT LEFT     | 1   |
| 3        | 1011449     | WASHER M12             | 6   |
| 4        | 1011230     | HEX LOCK NUT M12 A2    | 6   |
| 5        | 1015208     | TOOLBOX 480x400x400mm  | 1   |
| 6        | 1011323     | HEX BOLT M12x40 8.8 ZN | 2   |
| 7        | 1011539     | HEX BOLT M12x30 8.8 ZN | 4   |

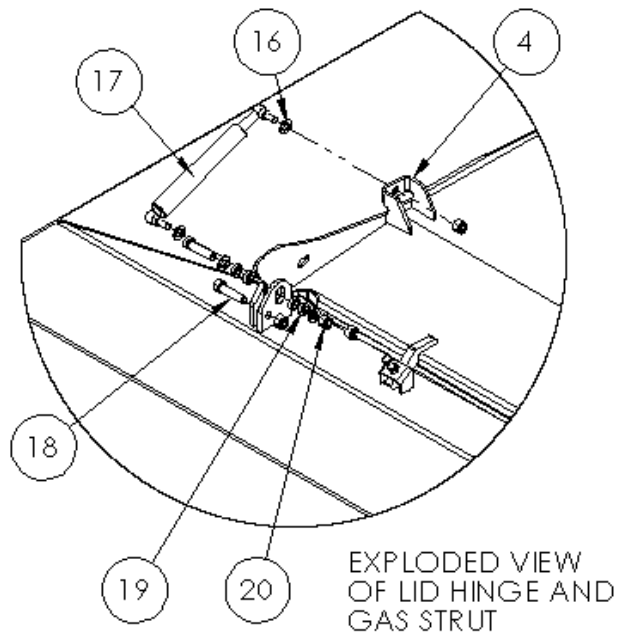
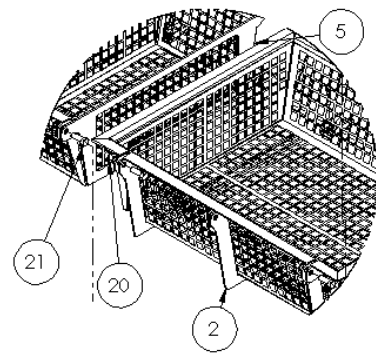




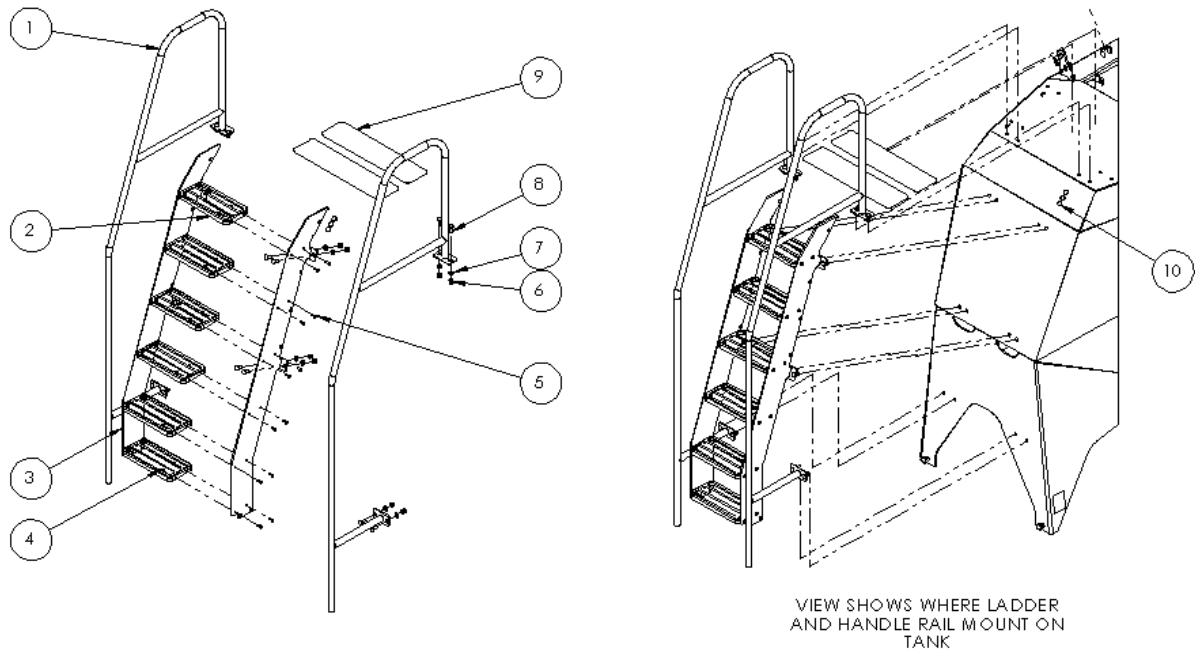
| ITEM NO. | PART NUMBER | DESCRIPTION                      | QTY |
|----------|-------------|----------------------------------|-----|
| 1        | 1010970     | TANK                             | 1   |
| 2        | 1014005     | COVER PLATE                      | 2   |
| 3        | 1014862     | FOAM SEAL SELF-ADHESIVE          | 2   |
| 4        | 1010660     | KNOB M6x20 A2                    | 4   |
| 5        | 1010379     | HEX BOLT M20x50 8.8 ZN           | 4   |
| 6        | 1011440     | WASHER M20 ZN                    | 4   |
| 7        | 1011235     | HEX LOCK NUT M20 ZN              | 4   |
| 8        | 1014360     | STICKER HORIZON LOGO TANK        | 1   |
| 9        | 1012421     | DSX MADE IN BRIATAIN STICKER KIT | 1   |



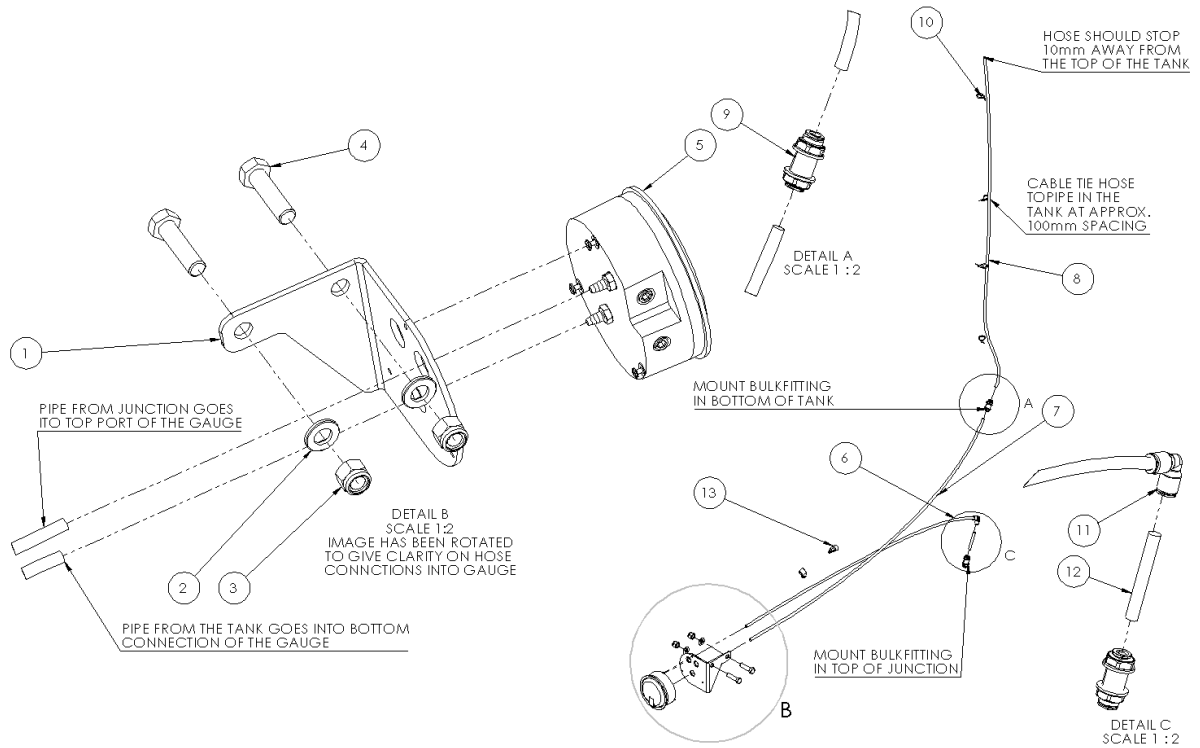
DETAIL REAR VIEW  
MESH ASSY SCALE 1:10



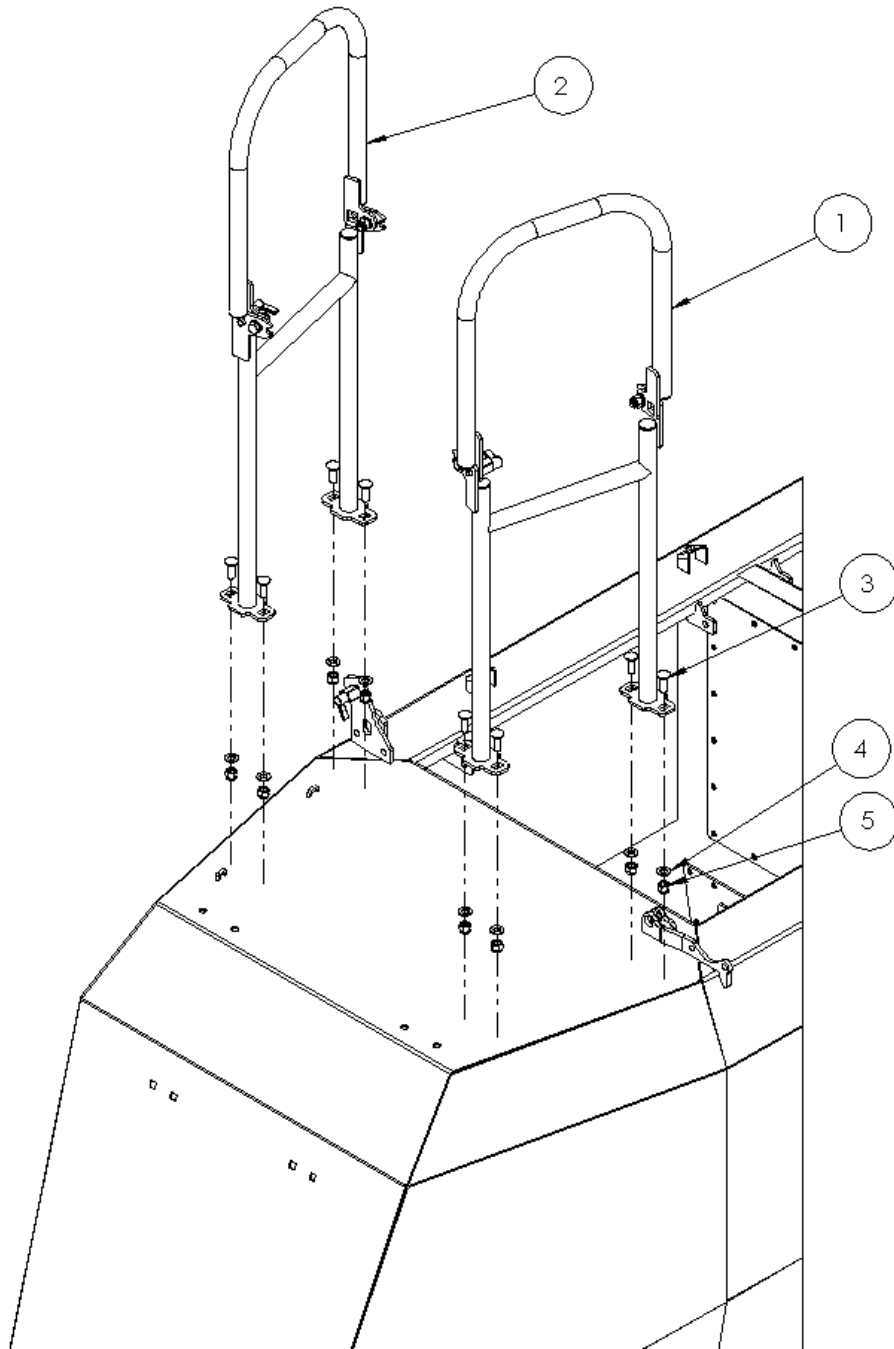
| ITEM NO. | PART NUMBER | DESCRIPTION                       | QTY |
|----------|-------------|-----------------------------------|-----|
| 1        | 1010970     | TANK                              | 1   |
| 2        | 1014100     | MESH ASSY                         | 2   |
| 3        | 1014371     | BUBBLE GASKET                     | 1   |
| 4        | 1014465     | TANK LID                          | 1   |
| 5        | 1014110     | MESH SMALL SECTION                | 1   |
| 6        | 1014019     | PLATE                             | 2   |
| 7        | 1013221     | ECROU PLAT M8 A2                  | 8   |
| 8        | 1014020     | PLAIN BEARING W COLLAR Ø32/36- 16 | 2   |
| 9        | 1013030     | HEX BOLT M8x40 A2                 | 8   |
| 10       | 1014010     | LOCK SHAFT                        | 1   |
| 11       | 1011228     | HEX LOCK NUT M10 A2               | 4   |
| 12       | 1014027     | LEVER                             | 1   |
| 13       | 1014028     | LINK                              | 2   |
| 14       | 1014031     | PIN Ø10x28                        | 2   |
| 15       | 1013237     | HEX BOLT M10x35 A2                | 4   |
| 16       | 1011449     | WASHER M12 A2                     | 10  |
| 17       | 1014096     | GAS STRUT L330 1300N              | 2   |
| 18       | 1013238     | HEX BOLT M12x50 A2                | 5   |
| 19       | 1014029     | WASHER Ø12.5/20-6                 | 12  |
| 20       | 1011230     | HEX LOCK NUT M12 A2               | 15  |
| 21       | 1014366     | HEX BOLT M12x35 A2                | 6   |



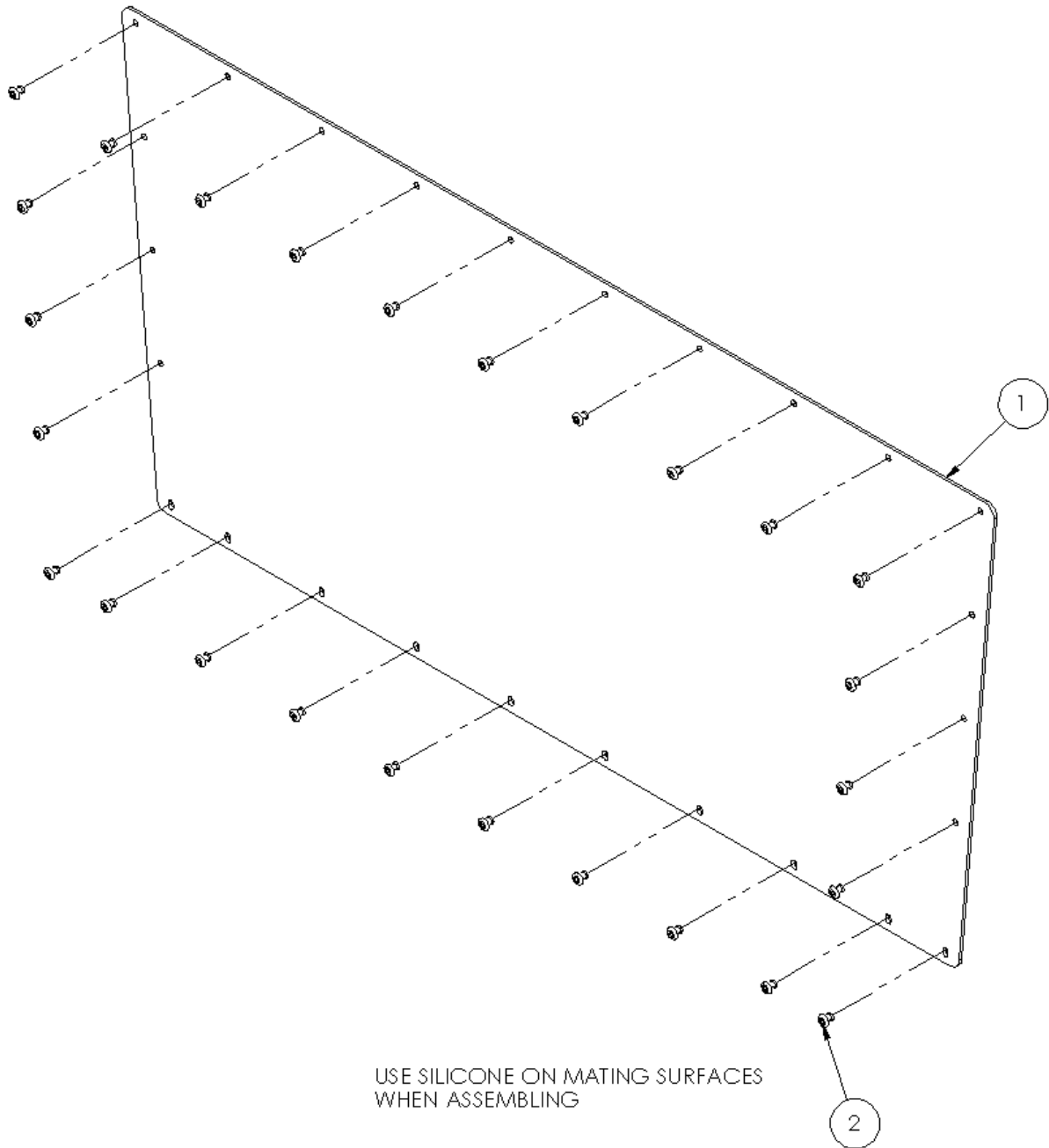
| ITEM NO. | PART NUMBER | DESCRIPTION              | QTY |
|----------|-------------|--------------------------|-----|
| 1        | 1010956     | HANDRAIL                 | 2   |
| 2        | 1010900     | STEP                     | 6   |
| 3        | 1010961     | LADDER SIDE PLATE        | 2   |
| 4        | 1011194     | HEX LOCK NUT M8 ZN       | 24  |
| 5        | 1011538     | HEX BOLT M8x20 8.8 ZN    | 24  |
| 6        | 1011229     | HEX LOCK NUT M12 ZN      | 16  |
| 7        | 1011437     | WASHER M12 ZN            | 16  |
| 8        | 1014092     | COACH BOLT M12x35 A2     | 16  |
| 9        | 1014367     | ANTI-SLIP TAPE 150X610mm | 2   |
| 10       | 1014578     | RUBBER CROMMET Ø20mm     | 5   |



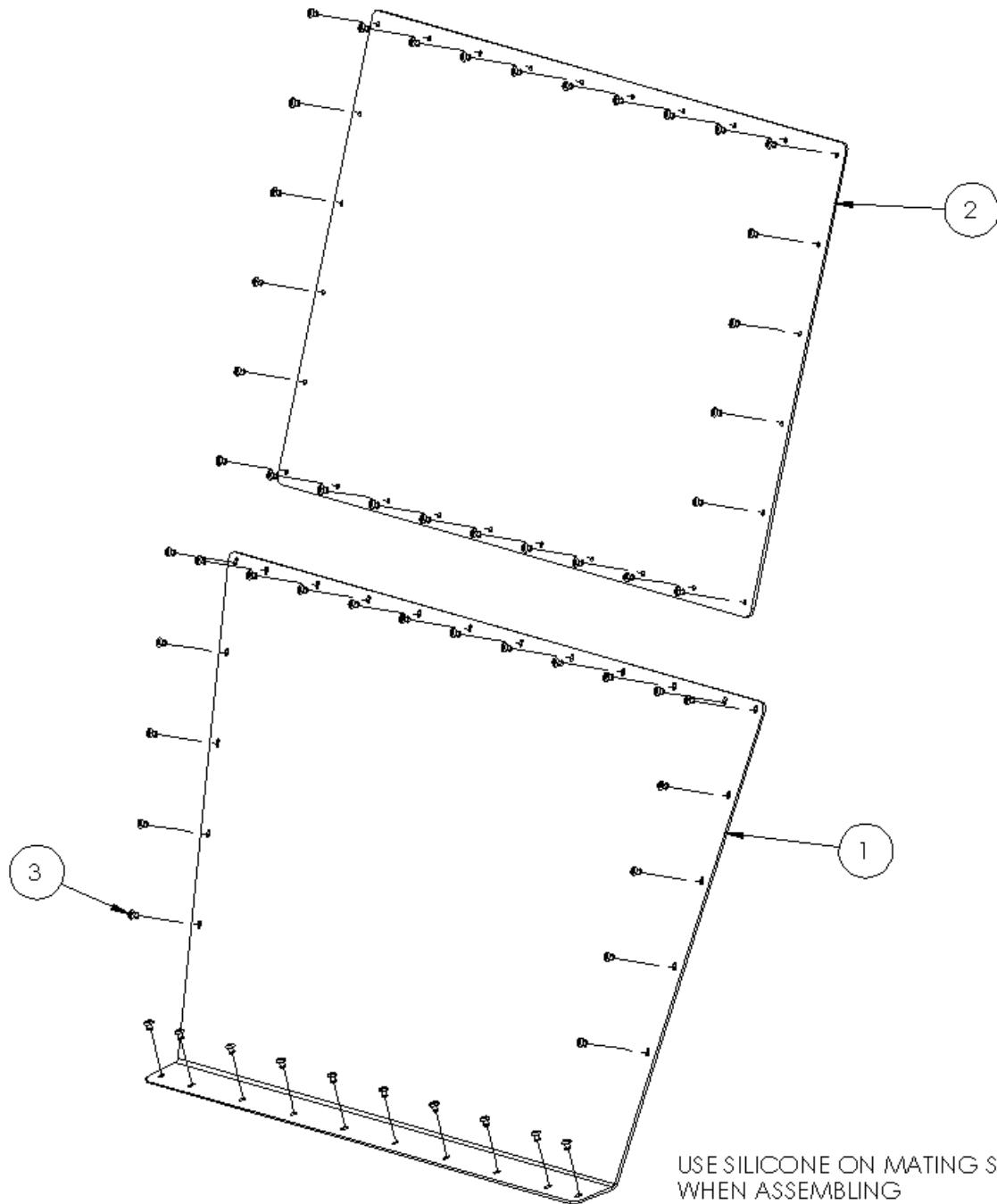
| ITEM NO. | PART NUMBER | DESCRIPTION                          | QTY |
|----------|-------------|--------------------------------------|-----|
| 1        | 1014819     | PRESSURE GAUGE SUPPORT PLATE         | 1   |
| 2        | 1011437     | WASHER M12 ZN                        | 2   |
| 3        | 1011229     | HEX LOCK NUT M12 ZN                  | 2   |
| 4        | 1011077     | HEX BOLT M12x45 8.8 ZN               | 2   |
| 5        | 1014521     | DIFFERENTIAL PRESSURE GAUGE 0-80mbar | 1   |
| 6        | 1015260     | HOSE FROM GAUGE TO FAN PRESSURE      | 1   |
| 7        | 1015261     | HOSE FROM GAUGE TO TANK              | 1   |
| 8        | 1015262     | HOSE INSIDE TANK                     | 1   |
| 9        | 1014836     | BULKHEAD PUSH-IN ADAPTOR Ø8mm/8mm    | 2   |
| 10       | 1015263     | CABLE TIE                            | 4   |
| 11       | 1015306     | PUSH-IN ELBOW 90deg Ø8mm/8mm         | 1   |
| 12       | 1015307     | 8mm PNEUMATIC HOSE                   | 1   |
| 13       | 1015308     | P-CLAMP 15mm                         | 2   |



| ITEM NO. | PART NUMBER | DESCRIPTION          | QTY |
|----------|-------------|----------------------|-----|
| 1        | 1015366     | HANDRAIL FOLDING LH  | 1   |
| 2        | 1015297     | HANDRAIL FOLDING RH  | 1   |
| 3        | 1014092     | COACH BOLT M12x35 A2 | 4   |
| 4        | 1011449     | WASHER M12 A2        | 4   |
| 5        | 1011230     | HEX LOCK NUT M12 A2  | 4   |

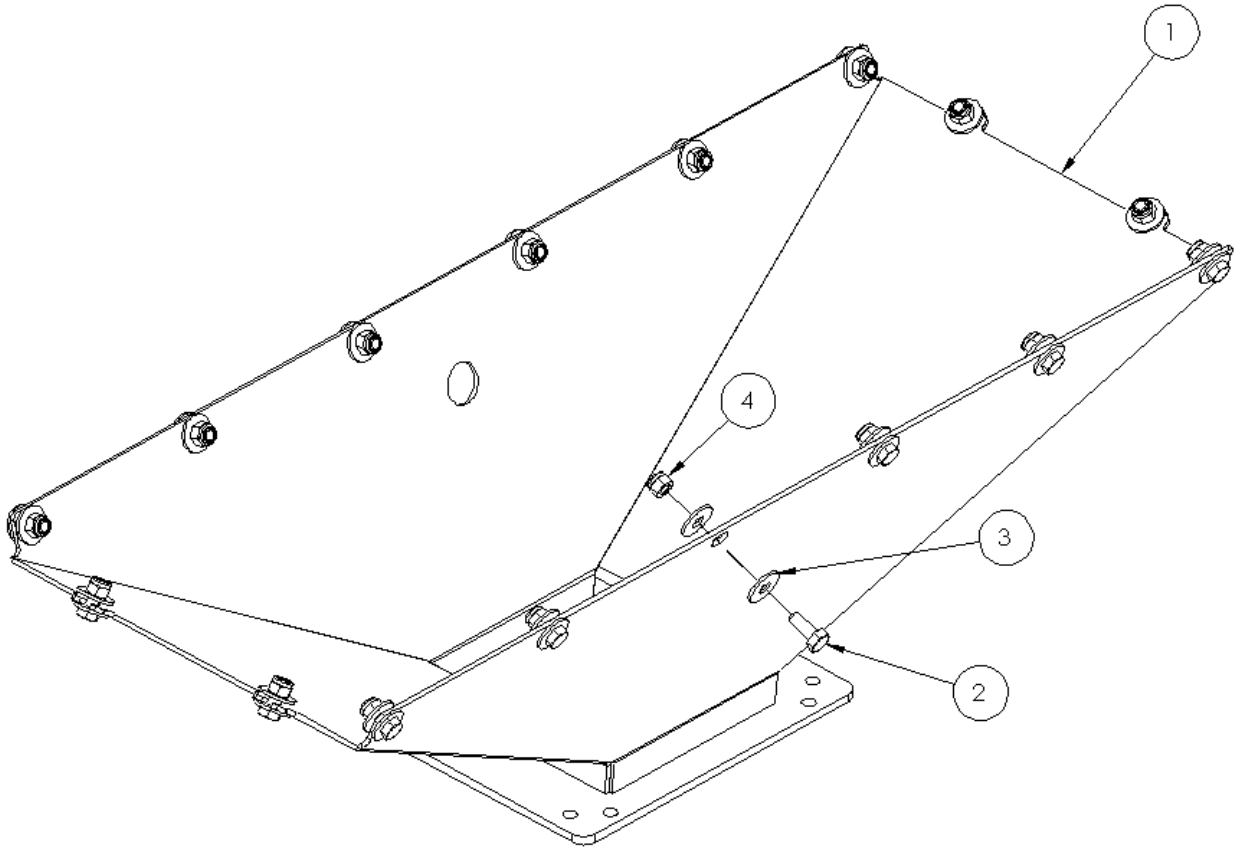


| ITEM NO. | PART NUMBER | DESCRIPTION     | QTY |
|----------|-------------|-----------------|-----|
| 1        | 1010999     | COVER PLATE     | 1   |
| 2        | 1013053     | RIVET 4.8x12 A2 | 26  |

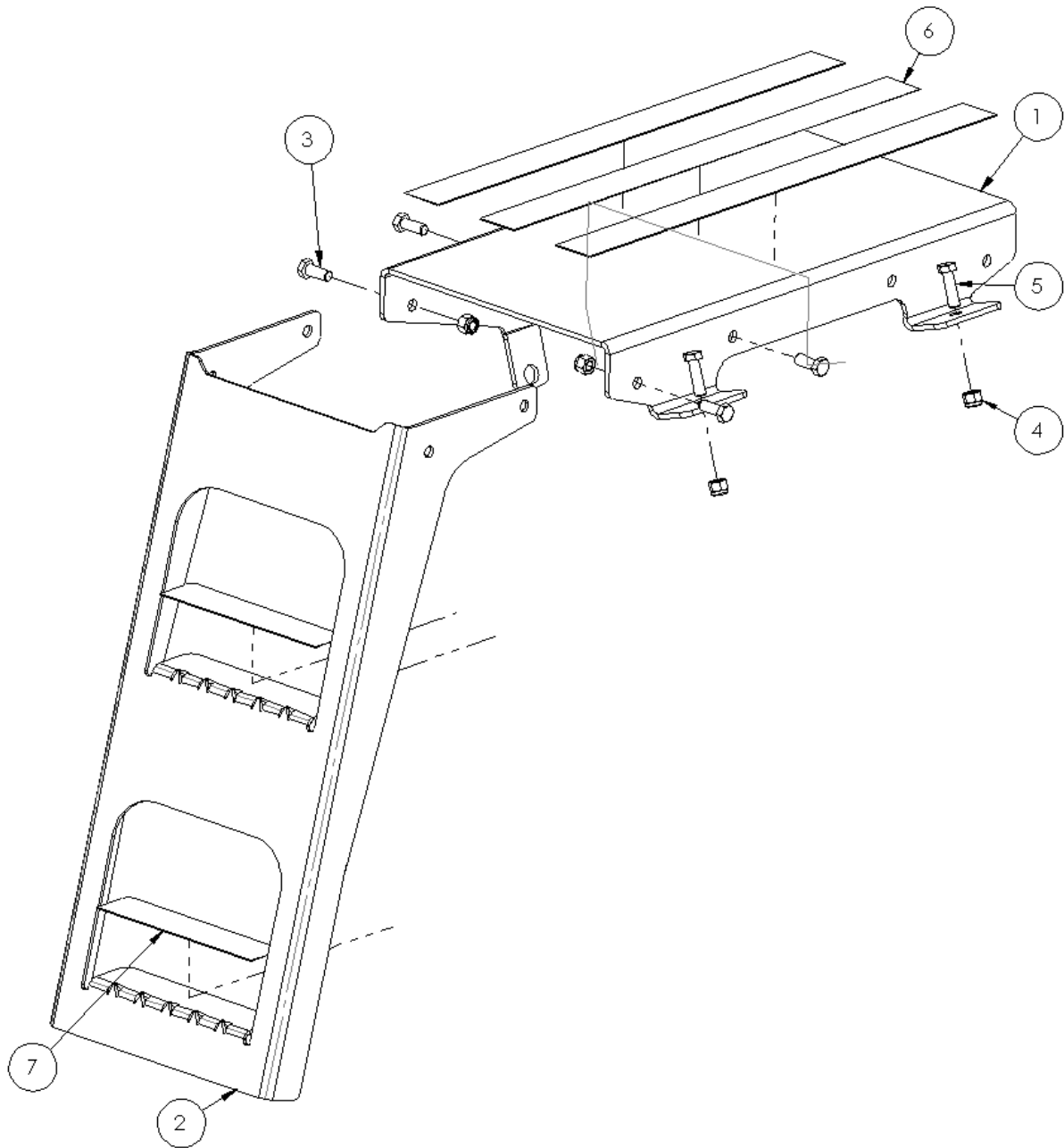


| ITEM NO. | PART NUMBER | DESCRIPTION     | QTY |
|----------|-------------|-----------------|-----|
| 1        | 1014001     | COVER PLATE     | 1   |
| 2        | 1014000     | COVER PLATE     | 1   |
| 3        | 1013053     | RIVET 4.8x12 A2 | 58  |

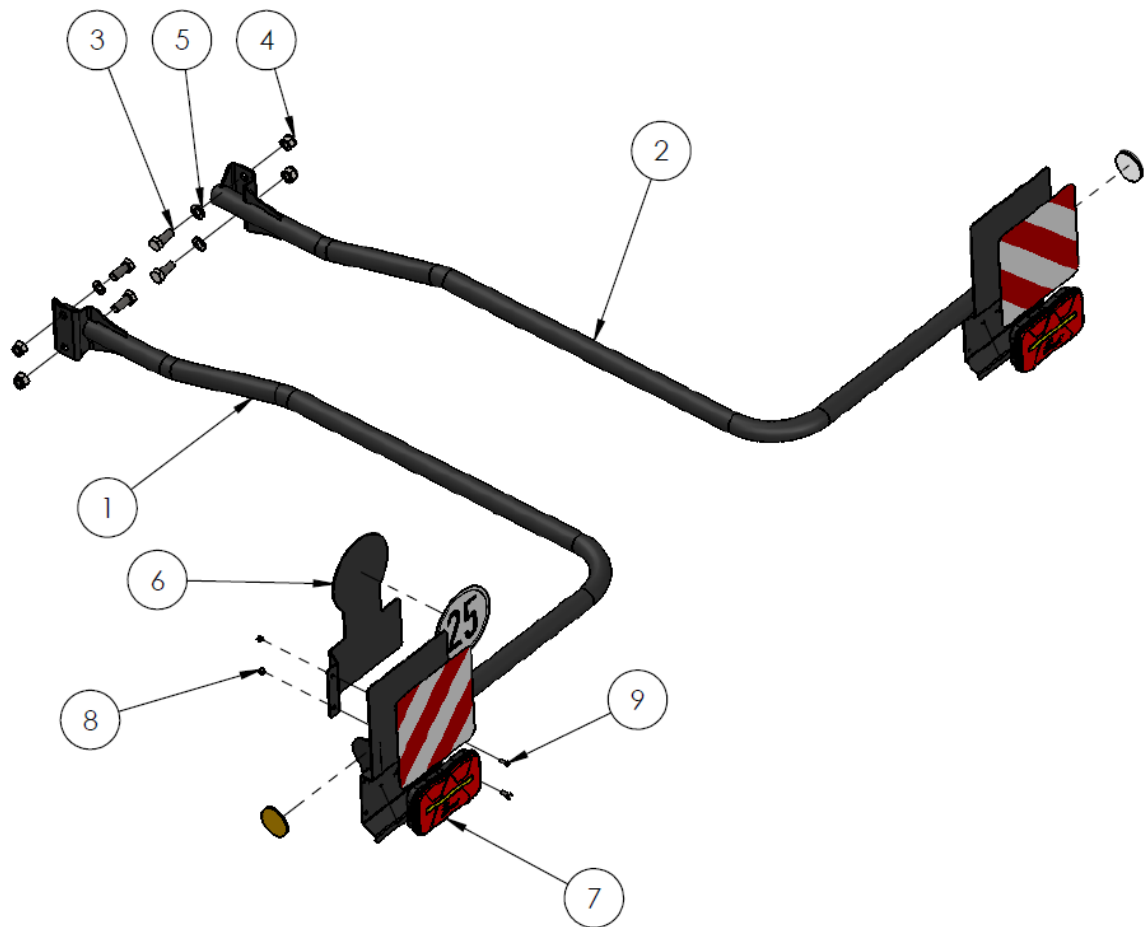




| ITEM NO. | PART NUMBER | DESCRIPTION                 | QTY |
|----------|-------------|-----------------------------|-----|
| 1        | 1014202     | FUNNEL CNTRAL METERING UNIT | 1   |
| 2        | 1014373     | HEX BOLT M8x20 A2           | 16  |
| 3        | 1011471     | WASHER LARGE M8 A2          | 32  |
| 4        | 1011195     | HEX LOCKNUT M8 A2           | 16  |

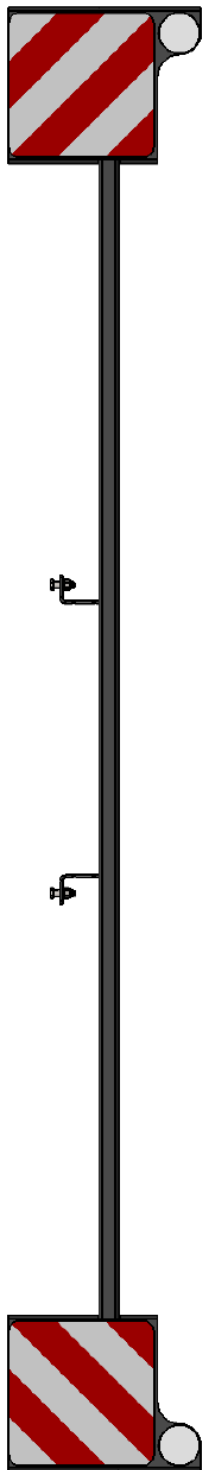


| ITEM NO. | PART NUMBER | DESCRIPTION             | QTY |
|----------|-------------|-------------------------|-----|
| 1        | 1010947     | HITCH PLATFORM          | 1   |
| 2        | 1010948     | STEP                    | 1   |
| 3        | 1011539     | HEX BOLT M12x30 8.8 ZN  | 4   |
| 4        | 1011229     | HEX LOCK NUT M12 ZN     | 6   |
| 5        | 1011076     | HEX BOLT M12x40 8.8 ZN  | 2   |
| 6        | 1014389     | ANTI-SLIP TAPE 50x640mm | 3   |
| 7        | 1014390     | ANTI-SLIP TAPE 50x230mm | 2   |

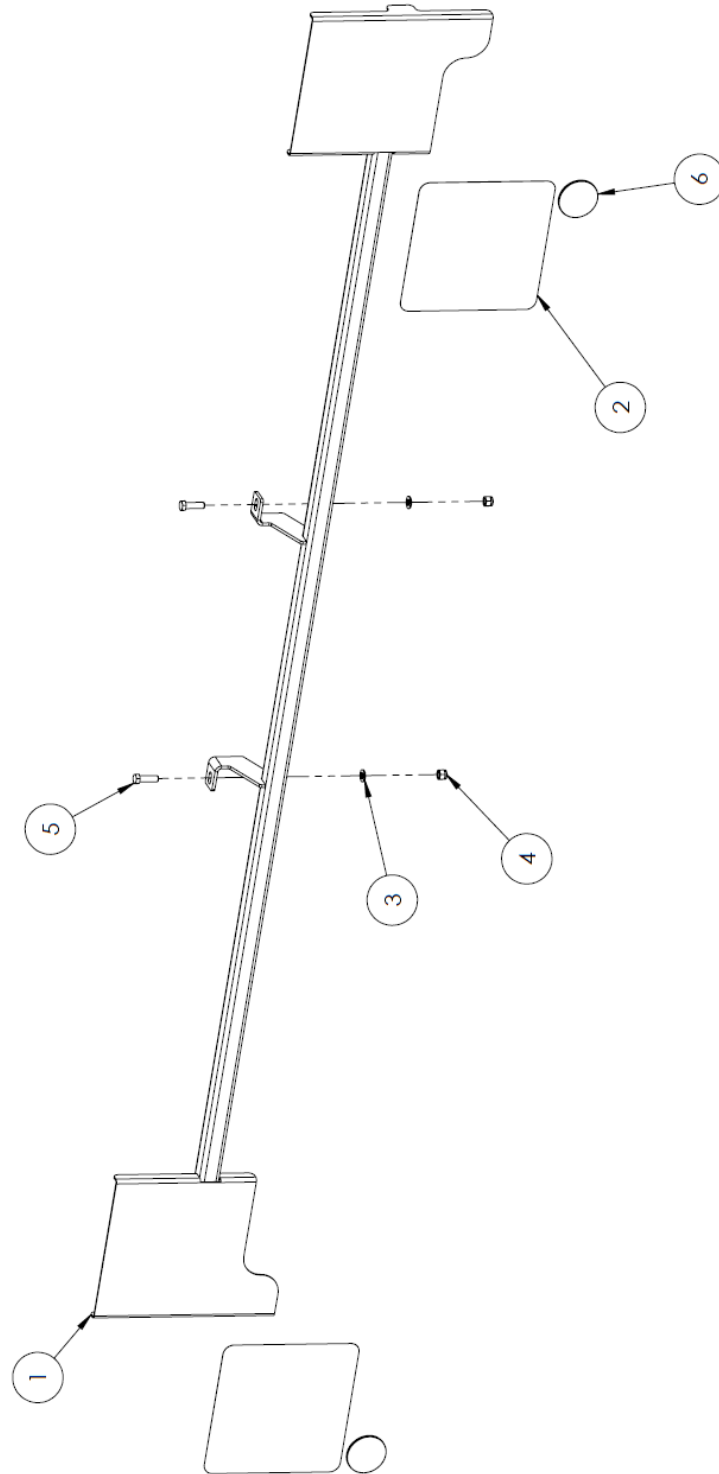


REAR LIGHTS, STICKERS AND REFLECTORS  
PART OF 1010820

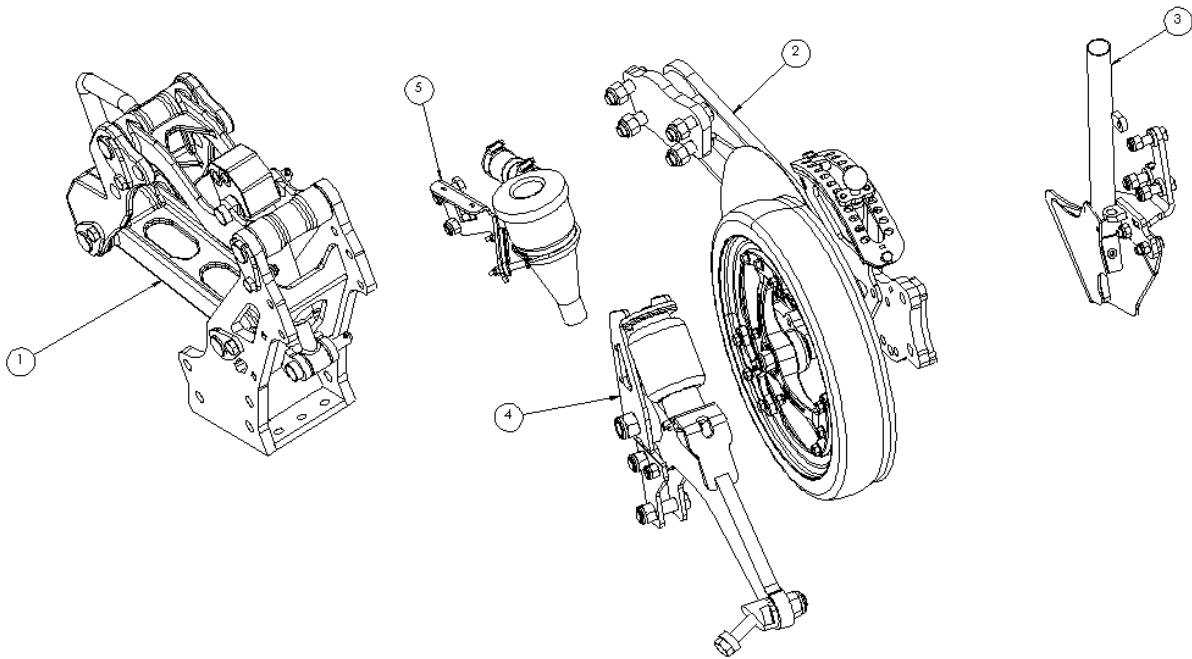
| ITEM NO. | PART NUMBER | DESCRIPTION            | QTY |
|----------|-------------|------------------------|-----|
| 1        | 1014482     | LIGHT MOUNT LH         | 1   |
| 2        | 1014483     | LIGHT MOUNT RH         | 1   |
| 3        | 1010379     | HEX BOLT M20x50 8.8 ZN | 4   |
| 4        | 1011235     | HEX LOCK NUT M20 ZN    | 4   |
| 5        | 1011440     | WASHER M20 ZN          | 4   |
| 6        | 1014485     | NUMBER PLATE MOUNT     | 1   |
| 7        | 1010820     | LIGHTING KIT           | 1   |
| 8        | 101194      | HEX LOXK NUT M8 ZN     | 2   |
| 9        | 1011538     | HEX BOLT M8x20 8.8 ZN  | 2   |



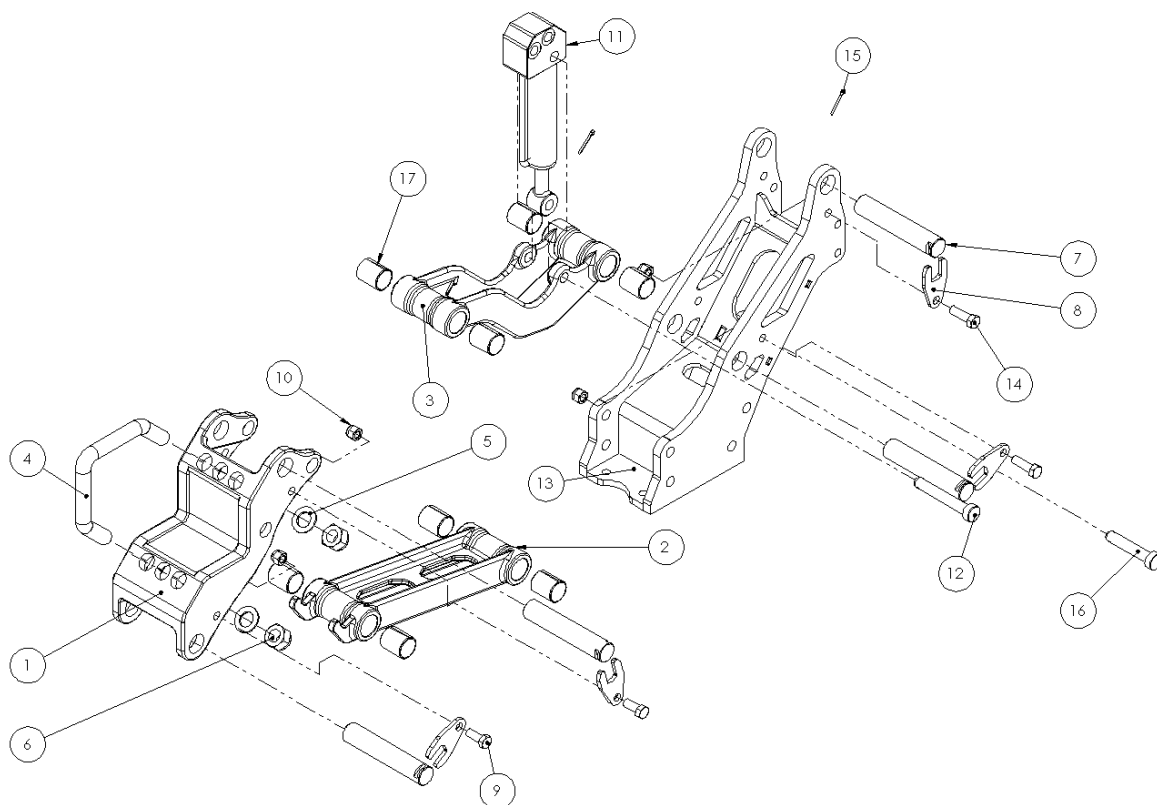
STRIPES ON WARNING SIGNS SHALL RUN UNDER 45deg  
DOWNWARDS AND OUTWARDS



| ITEM NO. | PART NUMBER | DESCRIPTION                       | QTY |
|----------|-------------|-----------------------------------|-----|
| 1        | 1015087     | MOUNTING BAR ASSEMBLY             | 1   |
| 2        | 1010755     | WARNING SIGN STICKER 282X282mm LH | 2   |
| 3        | 1011449     | WASHER M12 A2                     | 2   |
| 4        | 1011230     | HEX LOCK NUT M12 A2               | 2   |
| 5        | 1011076     | HEX BOLT M12x40 8.8 ZN            | 2   |
| 6        | 1015093     | REFLECTOR Ø80 WHITE               | 2   |

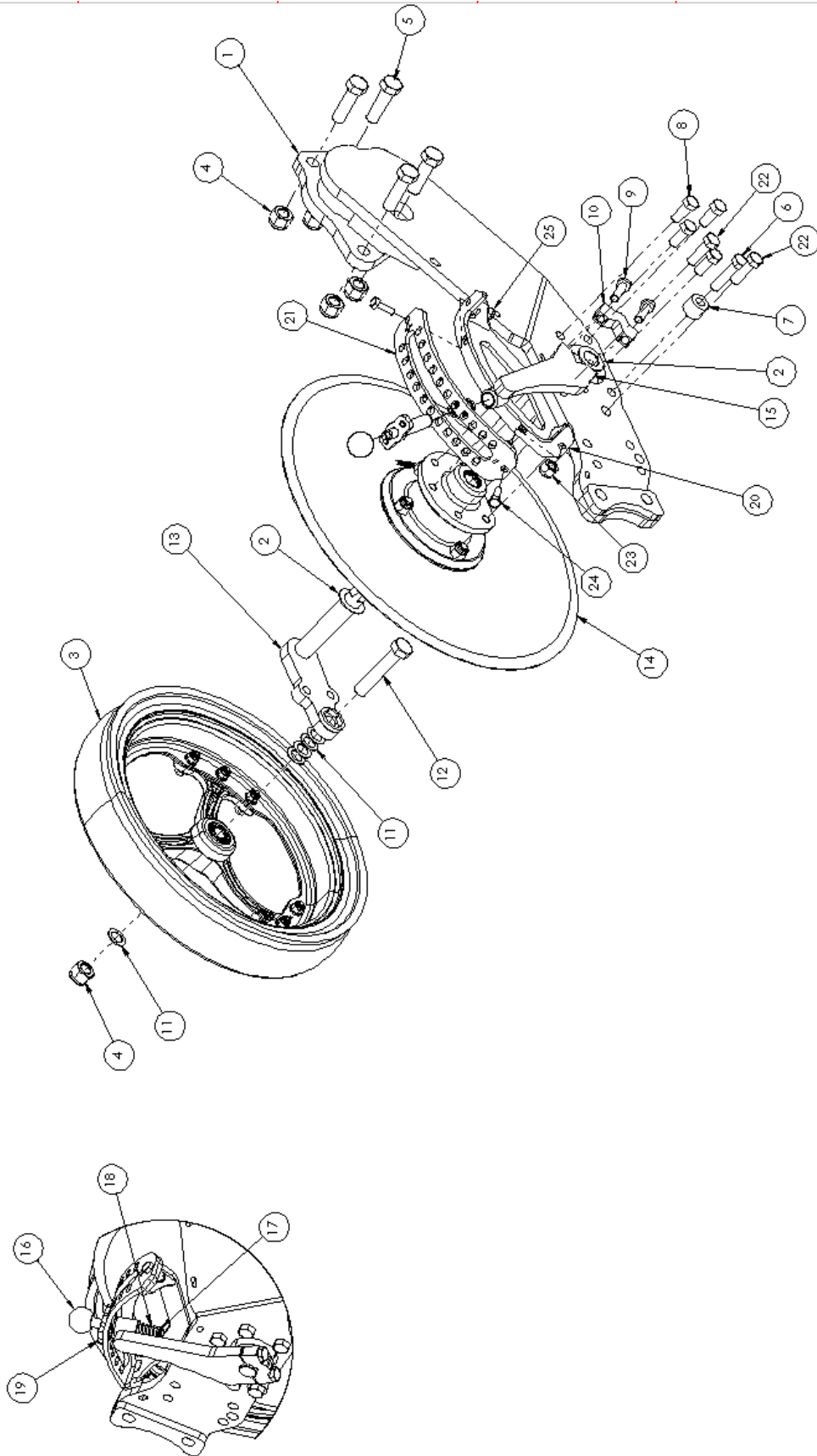


| ITEM NO. | PART NUMBER | DESCRIPTION                     | QTY |
|----------|-------------|---------------------------------|-----|
| 1        | 1010305     | PARALLELOGRAM ASSEMBLY          | 1   |
| 2        | 1016270     | DISC SUPPORT ASSEMBLY NARROW RH | 1   |
| 3        | 1010207     | SEED BOOT ASSEMBLY RH           | 1   |
| 4        | 1016970     | CLOSING ASSEMBLY RH             | 1   |
| 5        | 1016980     | CYCLONE WITH SUPPORT RH         | 1   |



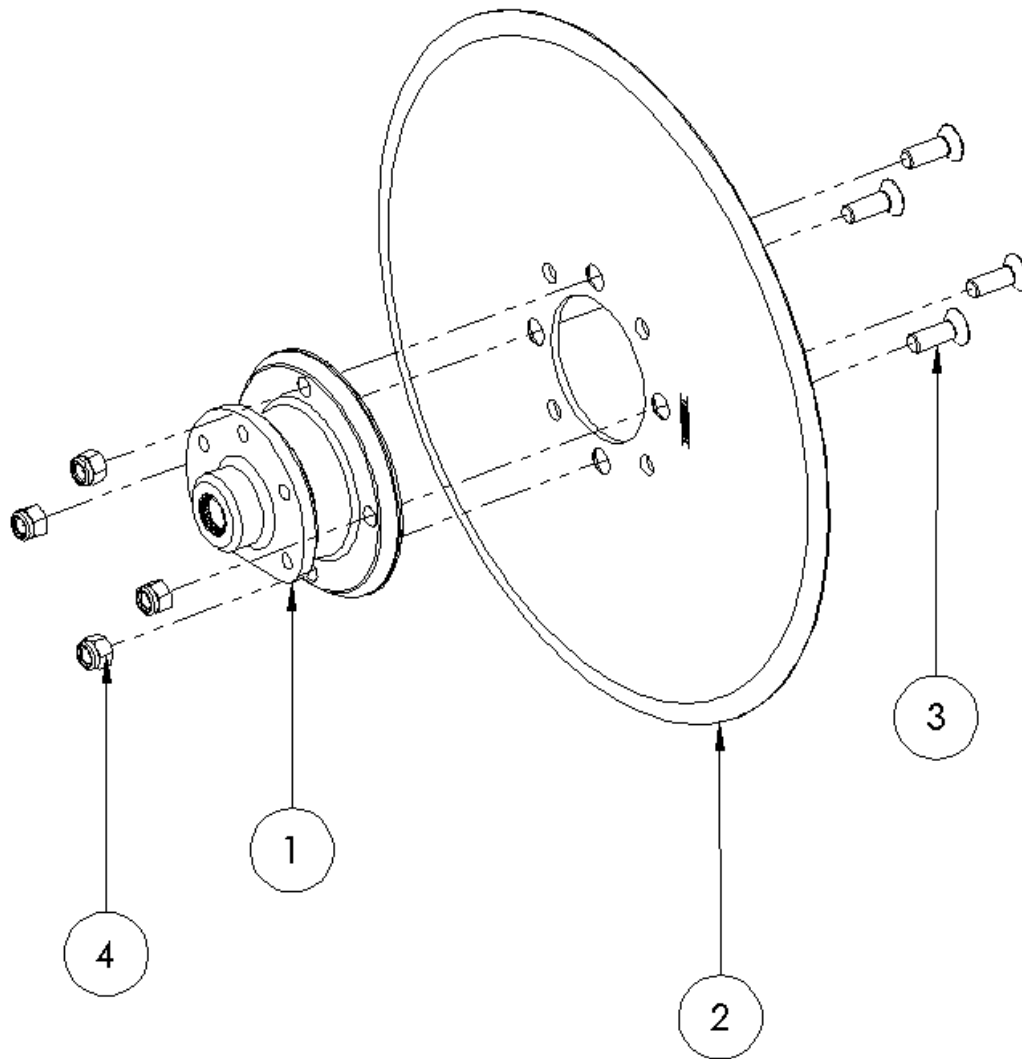
| ITEM NO. | PART NUMBER | DESCRIPTION                          | QTY |
|----------|-------------|--------------------------------------|-----|
| 1        | 1010300     | MOUNTING HEAD                        | 1   |
| 2        | 1010303     | LOWER PARALLEL ARM ASSEMBLY          | 1   |
| 3        | 1010304     | UPPER PARALLEL ARM ASSEMBLY          | 1   |
| 4        | 1010052     | U-BOLT 100x100 M22 45°               | 1   |
| 5        | 1011441     | WASHER M22 ZN                        | 2   |
| 6        | 1010272     | HEX LOCK NUT M22 ZN                  | 2   |
| 7        | 1010283     | PIN Ø30x156mm                        | 4   |
| 8        | 1010284     | LOCKING PLATE                        | 4   |
| 9        | 1011539     | HEX BOLT M12x30 8.8 ZN               | 2   |
| 10       | 1011229     | HEX LOCK NUT M12 ZN                  | 4   |
| 11       | 1010266     | HYDRAULIC CYLINDER Ø32/20mm S= 100mm | 1   |
| 12       | 1010287     | PIN Ø16x97mm                         | 1   |
| 13       | 1010590     | MAIN BODY                            | 1   |
| 14       | 1011076     | HEX BOLT M12x40 8.8 ZN               | 2   |
| 15       | 1010497     | SPLIT PIN Ø4x28mm ZN                 | 2   |
| 16       | 1010485     | PIN Ø16x78mm                         | 1   |
| 17       | 1010286     | CYLINDRICAL BUSHING Ø30/34-40mm      | 8   |

For a replacement Seal Kit for the hydraulic cylinder 1010266 (1010286) please order 1017967.

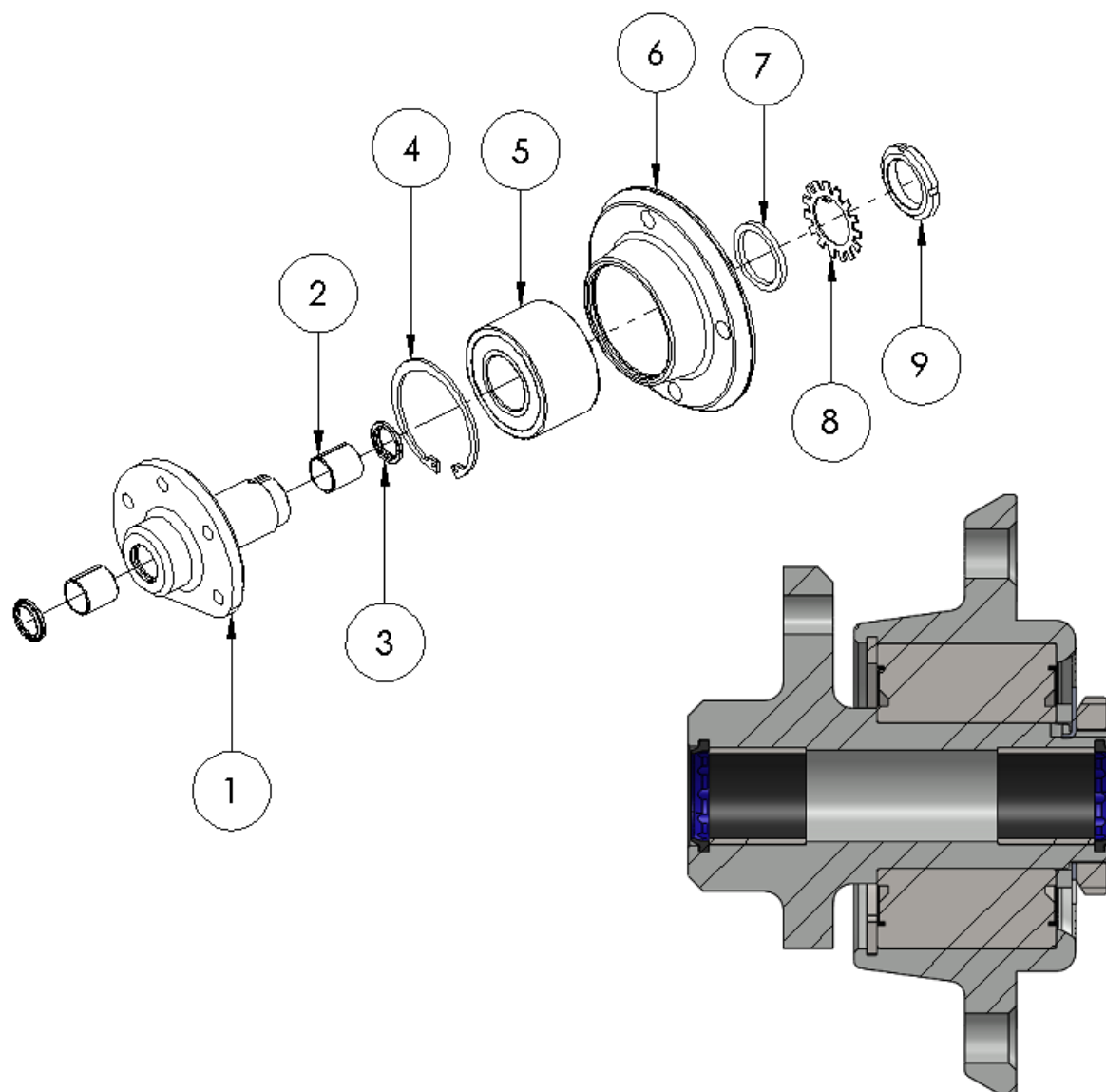


| ITEM NO. | PART NUMBER | DESCRIPTION                          | QTY |
|----------|-------------|--------------------------------------|-----|
| 1        | 1016250     | DISC SUPPORT NARROW RH               | 1   |
| 2        | 1010770     | WASHER Ø23/38-1/5                    | 2   |
| 3        | 1010742     | WHEEL Ø405x78                        | 1   |
| 4        | 1011233     | HEX LOCK NUT M16 ZN                  | 5   |
| 5        | 1011351     | HEX BOLT M16x55 8.8 ZN               | 4   |
| 6        | 1011078     | HEX BOLT M12x50 8.8 ZN               | 1   |
| 7        | 1010666     | SPACER Ø12.5/30-20                   | 1   |
| 8        | 1011539     | HEX BOLT M12x30 8.8 ZN               | 4   |
| 9        | 1010433     | HEX BOLT M10x35 10.9 ZN              | 2   |
| 10       | 1010431     | CLAMP                                | 1   |
| 11       | 1010429     | WASHER Ø17/26-1                      | 5   |
| 12       | 1011110     | HEX BOLT M16x85 8.8 ZN               | 1   |
| 13       | 1010336     | SIDE WHEEL ARM                       | 1   |
| 14       | 1010325     | DISC/HUB ASSEMBLY                    | 1   |
| 15       | 1016730     | LEVER RH                             | 1   |
| 16       | 1010311     | BALL KNOB M8                         | 1   |
| 17       | 1010268     | CIRCLIP EXTERNAL Ø16 ZN              | 1   |
| 18       | 1010435     | COMPRESSION SPRING Ø20/1.8mm L0=33mm | 1   |
| 19       | 1010633     | HANDLE                               | 1   |
| 20       | 1016940     | SUPPORT RH                           | 1   |
| 21       | 1016960     | DEPTH ADJUSTMENT PLATE               | 1   |
| 22       | 1011323     | HEX BOLT M12x40 8.8 ZN               | 2   |
| 23       | 1011229     | HEX LOCK NUT M12 ZN                  | 2   |
| 24       | 1011542     | HEX BOLT M8x25 8.8 ZN                | 2   |
| 25       | 1011194     | HEX LOCK NUT M8 ZN                   | 2   |

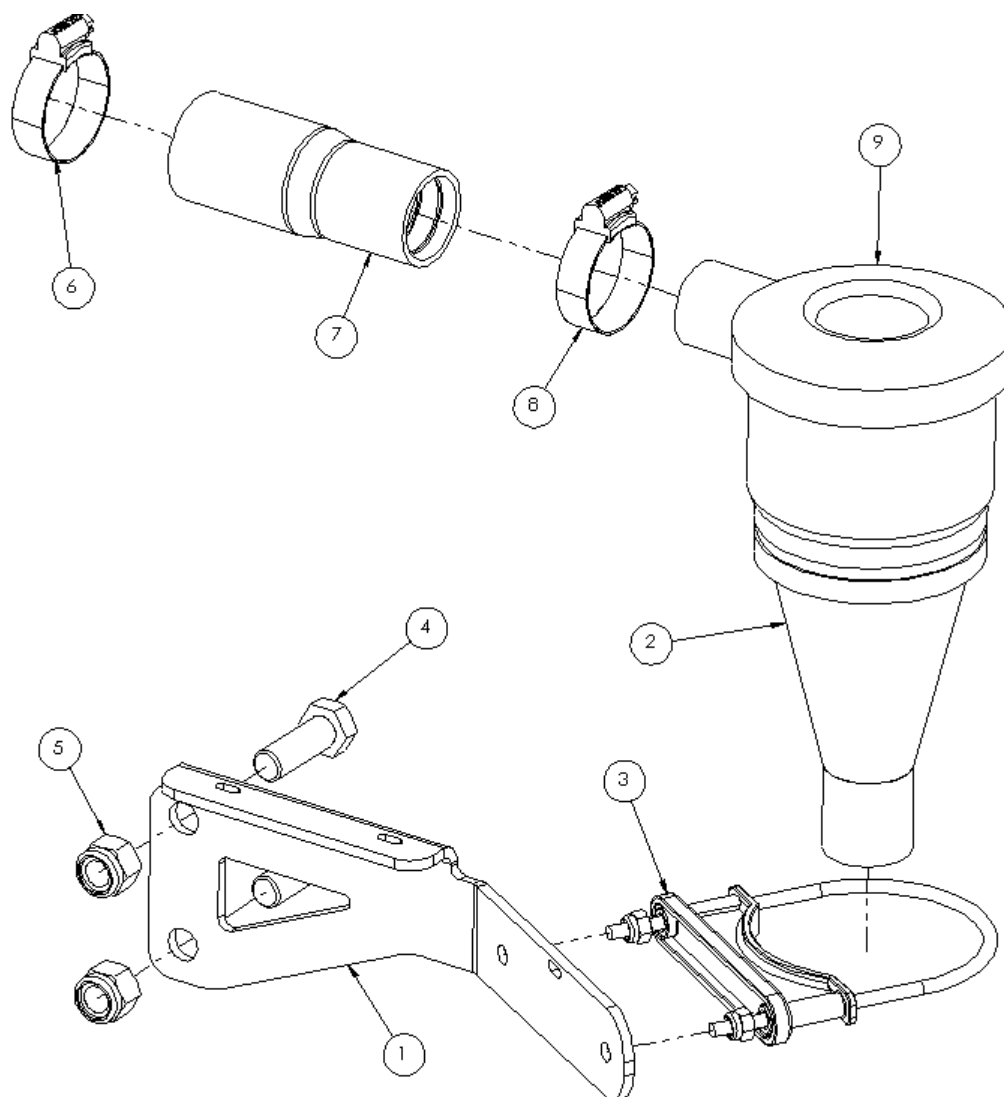




| ITEM NO. | PART NUMBER | DESCRIPTION                              | QTY |
|----------|-------------|--|-----|
| 1        | 1010323     | HUB ASSEMBLY                             | 1   |
| 2        | 1010247     | DISC STRAIGHT $\varnothing 457 \times 5$ | 1   |
| 3        | 1011737     | COUNTSUNK HEAD SCREW M12x35 10.9 ZN      | 4   |
| 4        | 1011229     | HEX LOCK NUT M12 ZN                      | 4   |



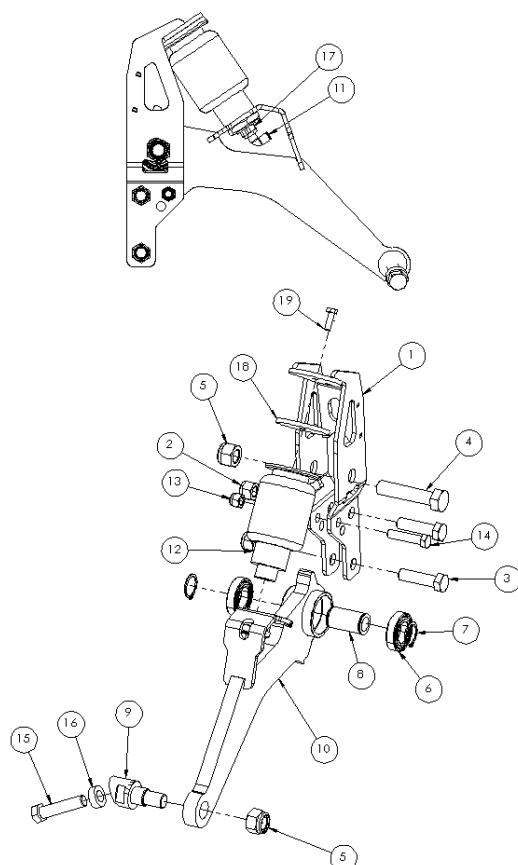
| ITEM NO. | PART NUMBER | DESCRIPTION  | QTY |
|----------|-------------|--|-----|
| 1        | 1010280     | AXLE   | 1   |
| 2        | 1010282     | CYLINDRAICAL BUSHING $\varnothing 22.23/25.4-25.4$ | 2   |
| 3        | 1010281     | WIPER SEAL 7/8"                                    | 2   |
| 4        | 1010274     | CIRCLIP INTERNAL $\varnothing 80$ ZN               | 1   |
| 5        | 1010276     | BEARING $\varnothing 38.1/80 \times 47$            | 1   |
| 6        | 1010279     | HUB  | 1   |
| 7        | 1010324     | SPACER $\varnothing 38.5/48-4$                     | 1   |
| 8        | 1010278     | RETAINING PLATE MB7 $\varnothing 35$               | 1   |
| 9        | 1010277     | LOCK NUT M35x1.5                                   | 1   |



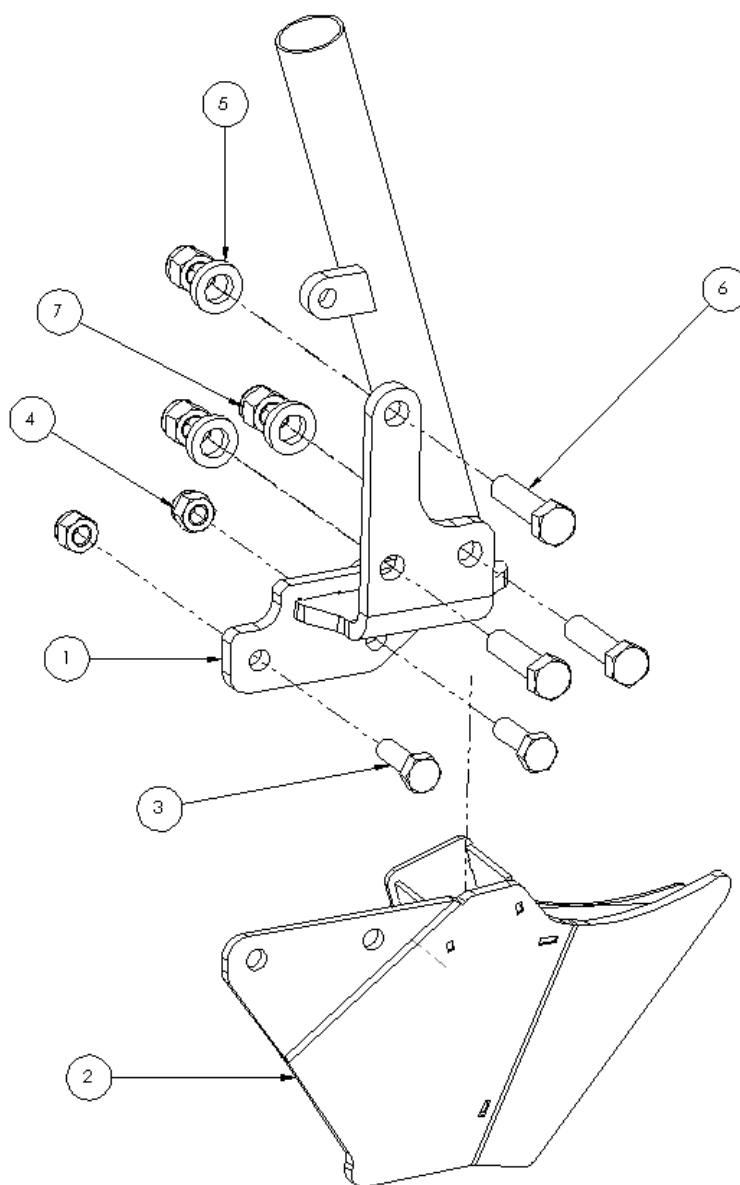
| ITEM NO. | PART NUMBER | DESCRIPTION                   | QTY |
|----------|-------------|-------------------------------|-----|
| 1        | 1016981     | CYCLONE SUPPORT RH            | 1   |
| 2        | 1010259     | CYCLONE SIMPLE (CONE AND LID) | 1   |
| 3        | 1010377     | CYCLONE MOUNT KIT             | 1   |
| 4        | 1011541     | HEX BOLT M12x35 8.8 ZN        | 2   |
| 5        | 1011229     | HEX LOCK NUT M12 ZN           | 2   |
| 6        | 1014379     | HOSE CLAMP Ø30-45mm A2        | 1   |
| 7        | 1010407     | REDUCTION Ø32/36 RUBBER       | 1   |
| 8        | 1018084     | HOSE CLAMP Ø25-40mm A2        | 1   |

## SPARES

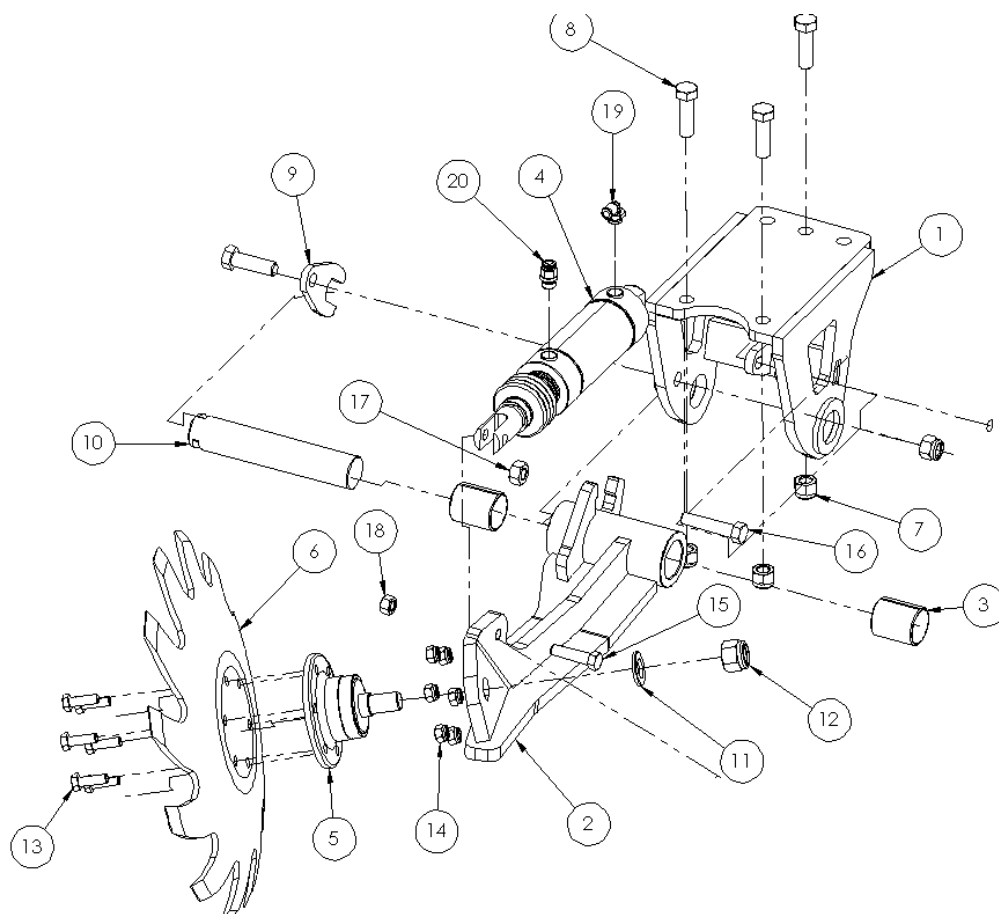
| ITEM NO. | PART NUMBER | DESCRIPTION | QTY |
|----------|-------------|-------------|-----|
| 9        | 1014719     | CYCLONE LID | 1   |



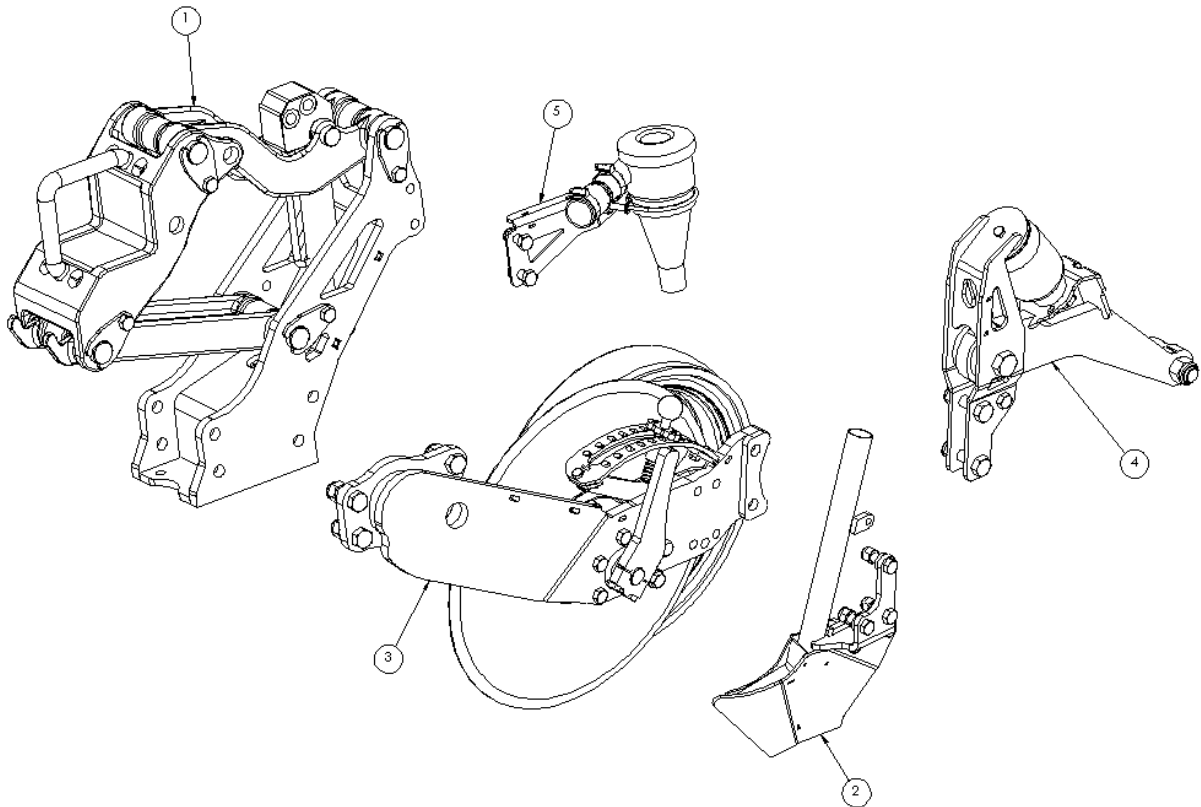
| ITEM NO. | PART NUMBER | DESCRIPTION                     | QTY |
|----------|-------------|---------------------------------|-----|
| 1        | 1016720     | PACKING ARM SUPPORT             | 1   |
| 2        | 1011233     | HEX LOCK NUT M16 ZN             | 2   |
| 3        | 1011105     | HEX BOLT M16x60 8.8 ZN          | 2   |
| 4        | 1011134     | HEX BOLT M20x90 8.8 ZN          | 1   |
| 5        | 1011235     | HEX LOCK NUT M20 ZN             | 2   |
| 6        | 1010439     | BALL BEARING 6006 2RS           | 2   |
| 7        | 1011550     | CIRCLIP EXTERNAL Ø30 ZN         | 2   |
| 8        | 1010648     | AXLE Ø20.5/30-54                | 1   |
| 9        | 1016708     | ANGLE ADJUSTER                  | 1   |
| 10       | 1016710     | CLOSING WHEEL ARM               | 1   |
| 11       | 1015521     | Ø6 PUSHFIT ELBOW Ø1/4" THREADED | 1   |
| 12       | 1016707     | AIRBAG Ø80x100                  | 1   |
| 13       | 1011229     | HEX LOCK NUT M12 ZN             | 1   |
| 14       | 1011079     | HEX BOLT M12x55 8.8 ZN          | 1   |
| 15       | 1011107     | HEX BOLT M16x70 8.8 ZN          | 1   |
| 16       | 1010652     | SPACER Ø16.5/30-10              | 1   |
| 17       | 1015162     | ADAPTOR M/F 3/8" BSP/ 1/4" BSP  | 1   |
| 18       | 1017814     | SPACER 6mm                      | 1   |
| 19       | 1011542     | HEX BOLT M8x25 8.8 ZN           | 1   |



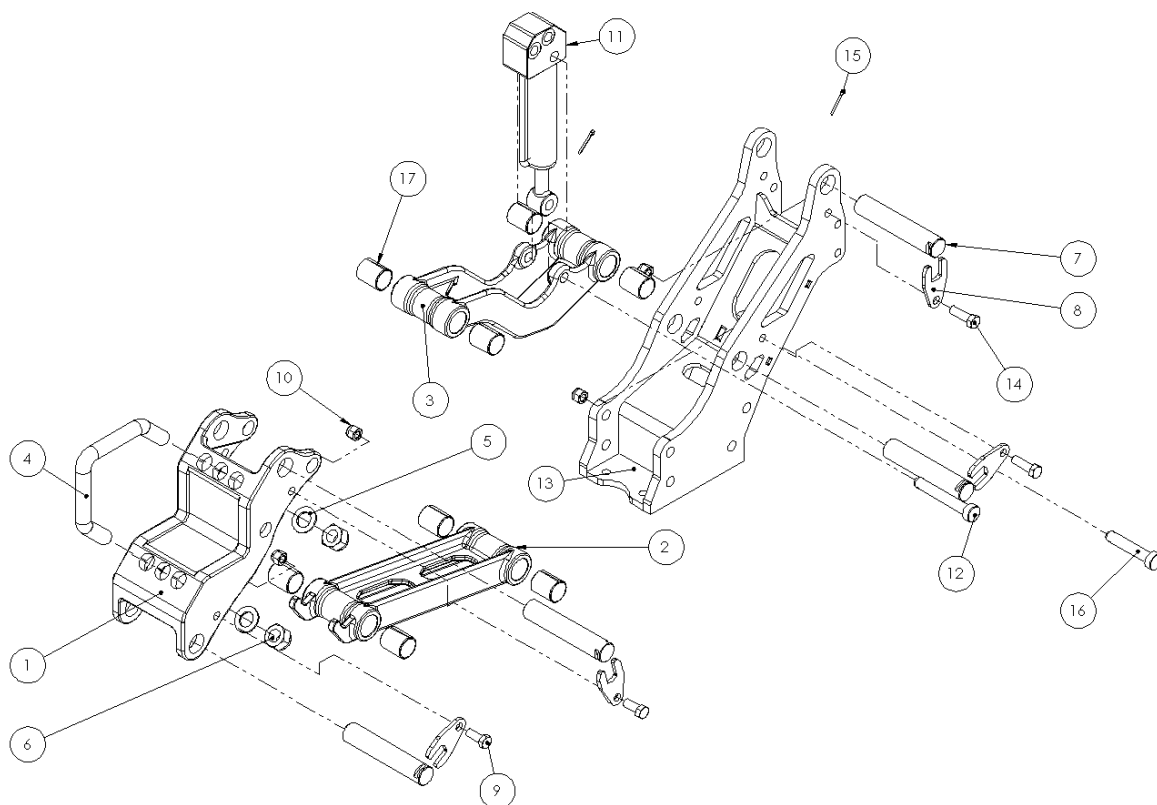
| ITEM NO. | PART NUMBER | DESCRIPTION            | QTY |
|----------|-------------|------------------------|-----|
| 1        | 1010203     | SEED BOOT MOUNT RH     | 1   |
| 2        | 1010205     | SEED BOOT RH           | 1   |
| 3        | 1010209     | HEX BOLT M10x30 8.8 ZN | 2   |
| 4        | 1011227     | HEX LOCK NUT M10 ZN    | 2   |
| 5        | 1010190     | WASHER Ø14/24-5 RUBBER | 3   |
| 6        | 1011324     | HEX BOLT M12x45 8.8 ZN | 3   |
| 7        | 1011229     | HEX LOCK NUT M12 ZN    | 3   |



| ITEM NO. | PART NUMBER | DESCRIPTION   | QTY |
|----------|-------------|---|-----|
| 1        | 1014572     | SUPPORT BRACKET RH                                  | 1   |
| 2        | 1014576     | TRASH WHEEL ARM RH                                  | 1   |
| 3        | 1010286     | CYLINDRICAL BUSHING $\varnothing 30/34-40\text{mm}$ | 2   |
| 4        | 1017790     | PNEUMATIC CYLINDER                                  | 1   |
| 5        | 1010018     | HUB 20mm 6 X M8 $\varnothing 80\text{mm}$           | 1   |
| 6        | 1010024     | TRASH WHEEL $\varnothing 343$ 6 x M8 RH             | 1   |
| 7        | 1011229     | HEX LOCK NUT M12 ZN                                 | 4   |
| 8        | 1011323     | HEX BOLT M12x40 8.8 ZN                              | 4   |
| 9        | 1010284     | LOCKING PLATE                                       | 1   |
| 10       | 1010283     | PIN $\varnothing 30 \times 156\text{mm}$            | 1   |
| 11       | 1011439     | WASHER M16 ZN                                       | 1   |
| 12       | 1011233     | HEX LOCK NUT M16 ZN                                 | 1   |
| 13       | 1011542     | HEX BOLT M8x25 8.8 ZN                               | 6   |
| 14       | 1011194     | HEX LOCK NUT M8 ZN                                  | 6   |
| 15       | 1017322     | HEX BOLT UNC 3/8" x 1 1/2"                          | 1   |
| 16       | 1017323     | HEX BOLT UNC 7/16" x 2"                             | 1   |
| 17       | 1017294     | HEX LOCK NUT UNC 7/16"                              | 1   |
| 18       | 1017295     | HEX LOCK NUT UNC 3/8"                               | 1   |
| 19       | 1015521     | PUSH IN ELBOW $\varnothing 6\text{mm}$ / 1/4" BSP M | 1   |
| 20       | 1015163     | PSH FIT ADAPTOR 6mm / 1/4" BSP M                    | 1   |



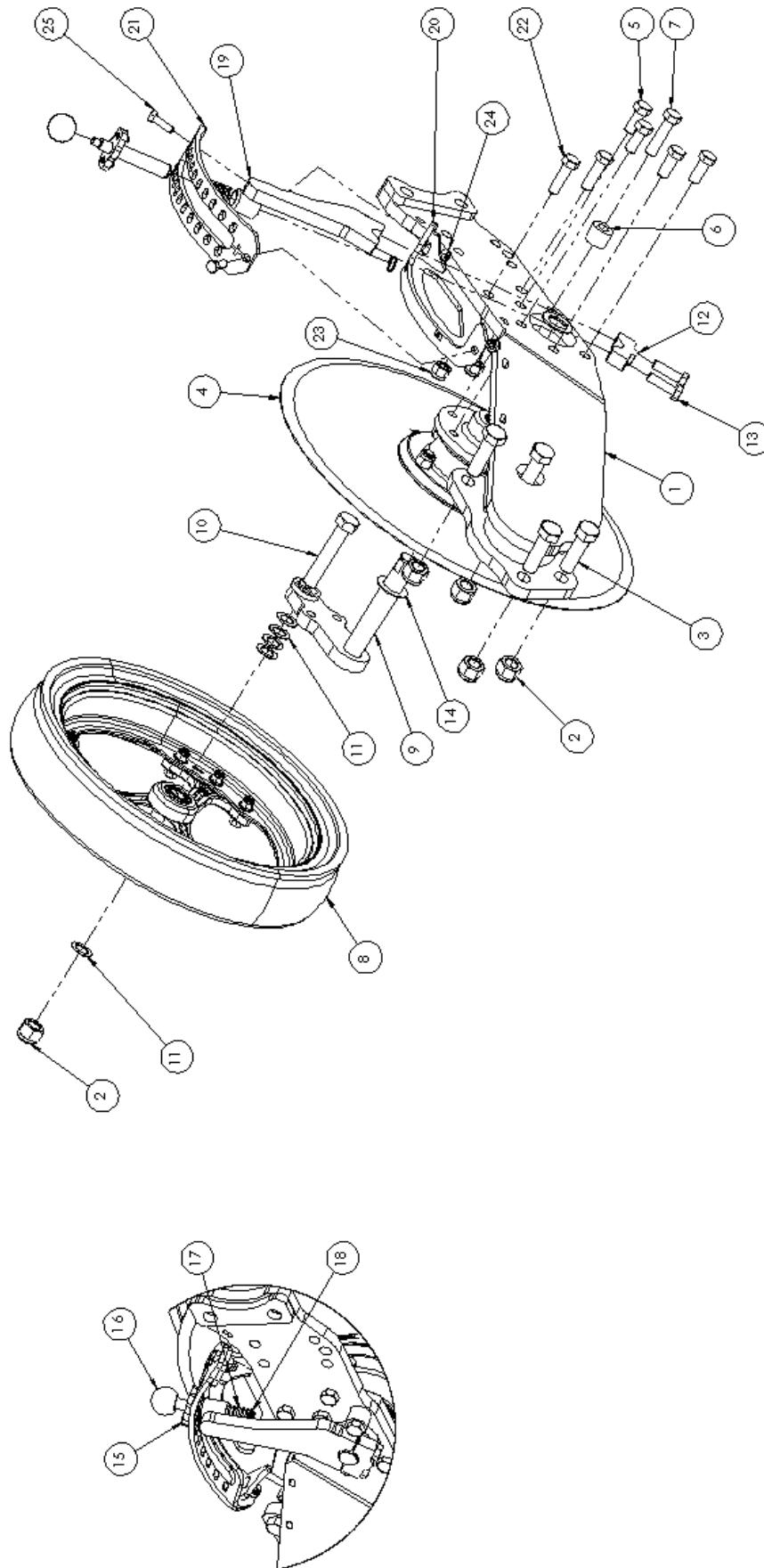
| ITEM NO. | PART NUMBER | DESCRIPTION              | QTY |
|----------|-------------|--------------------------|-----|
| 1        | 1010305     | PARALLELOGRAM ASSEMBLY   | 1   |
| 2        | 1010208     | SEED BOOT ASSEMBLY LH    | 1   |
| 3        | 1016275     | DISC SUPPORT ASSEMBLY LH | 1   |
| 4        | 1016975     | CLOSING ASSEMBLY LH      | 1   |
| 5        | 1016985     | CYCLONE WITH SUPPORT LH  | 1   |



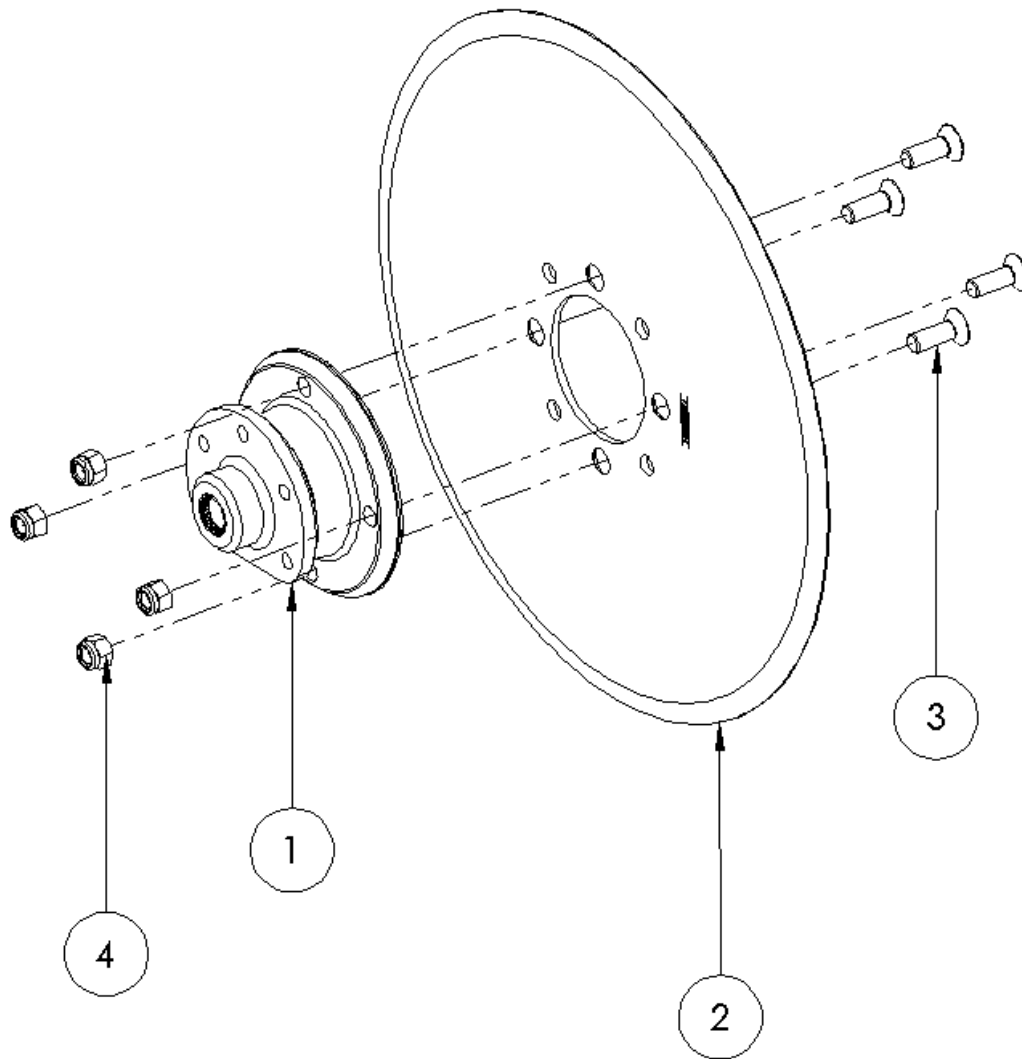
| ITEM NO. | PART NUMBER | DESCRIPTION                          | QTY |
|----------|-------------|--------------------------------------|-----|
| 1        | 1010300     | MOUNTING HEAD                        | 1   |
| 2        | 1010303     | LOWER PARALLEL ARM ASSEMBLY          | 1   |
| 3        | 1010304     | UPPER PARALLEL ARM ASSEMBLY          | 1   |
| 4        | 1010052     | U-BOLT 100x100 M22 45°               | 1   |
| 5        | 1011441     | WASHER M22 ZN                        | 2   |
| 6        | 1010272     | HEX LOCK NUT M22 ZN                  | 2   |
| 7        | 1010283     | PIN Ø30x156mm                        | 4   |
| 8        | 1010284     | LOCKING PLATE                        | 4   |
| 9        | 1011539     | HEX BOLT M12x30 8.8 ZN               | 2   |
| 10       | 1011229     | HEX LOCK NUT M12 ZN                  | 4   |
| 11       | 1010266     | HYDRAULIC CYLINDER Ø32/20mm S= 100mm | 1   |
| 12       | 1010287     | PIN Ø16x97mm                         | 1   |
| 13       | 1010590     | MAIN BODY                            | 1   |
| 14       | 1011076     | HEX BOLT M12x40 8.8 ZN               | 2   |
| 15       | 1010497     | SPLIT PIN Ø4x28mm ZN                 | 2   |
| 16       | 1010485     | PIN Ø16x78mm                         | 1   |
| 17       | 1010286     | CYLINDRICAL BUSHING Ø30/34-40mm      | 8   |

For a replacement Seal Kit for the hydraulic cylinder 1010266 (1010286) please order 1017967.

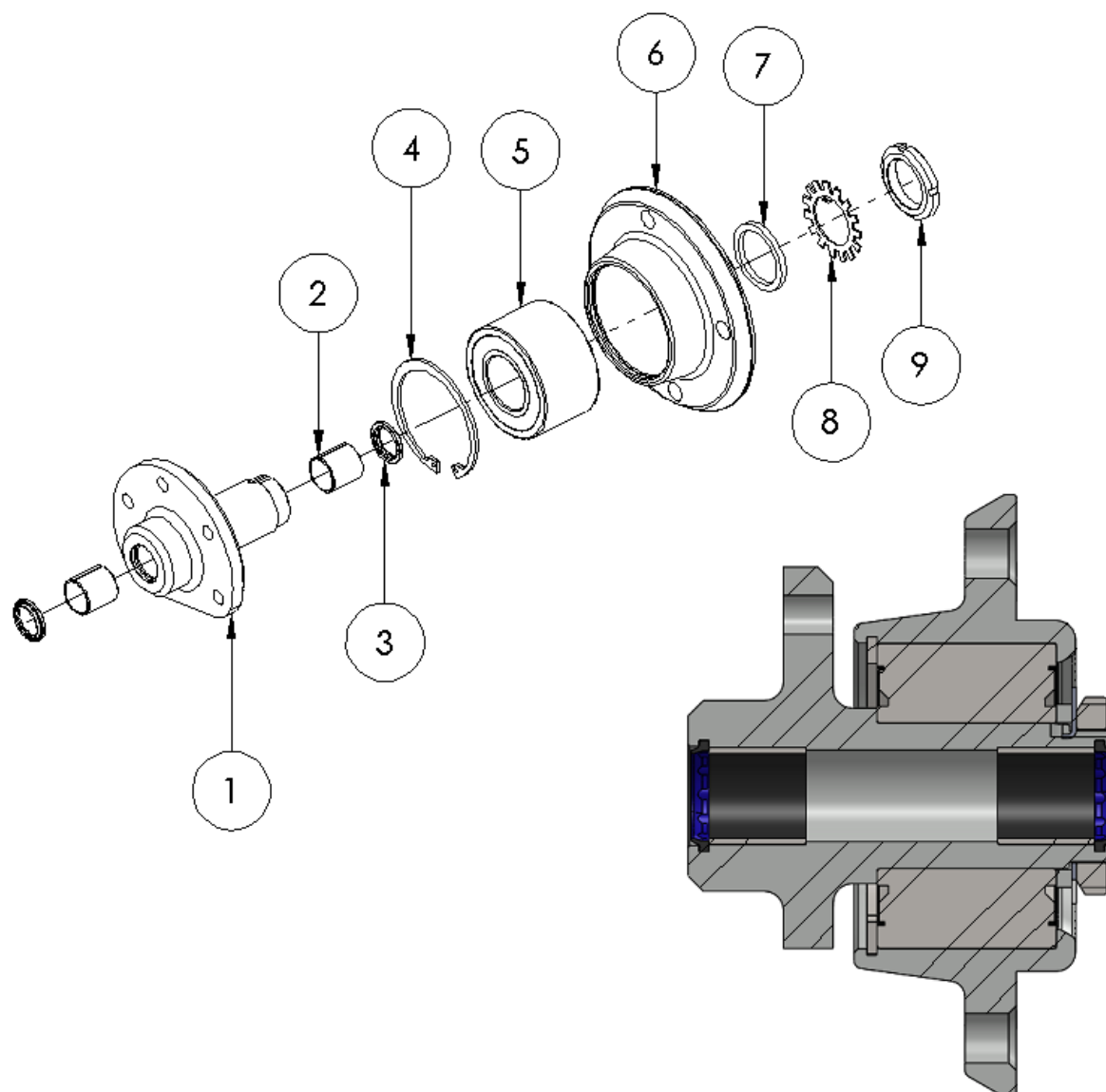




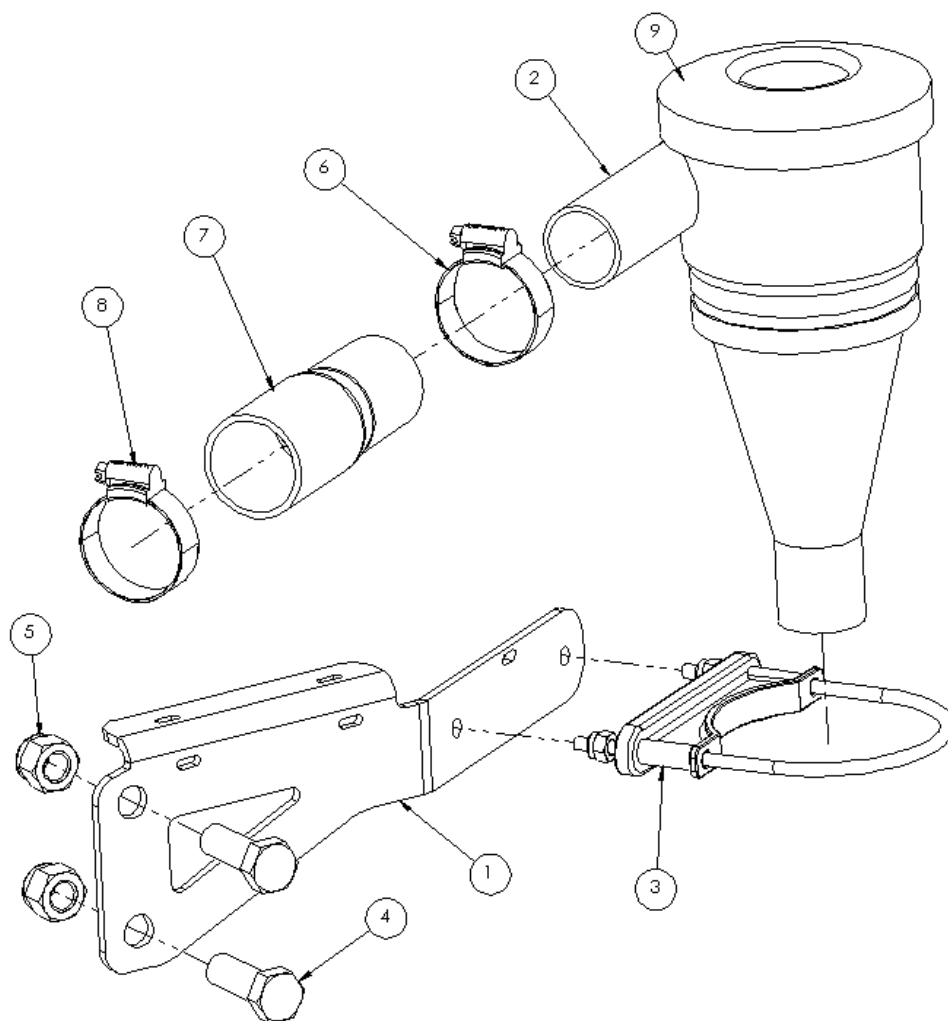
| ITEM NO. | PART NUMBER | DESCRIPTION                          | QTY |
|----------|-------------|--------------------------------------|-----|
| 1        | 1016280     | DISC SUPPORT NARROW LH               | 1   |
| 2        | 1011233     | HEX LOCK NUT M16 ZN                  | 5   |
| 3        | 1011351     | HEX BOLT M16x55 8.8 ZN               | 4   |
| 4        | 1010325     | DISC/HUB ASSEMBLY                    | 1   |
| 5        | 1011539     | HEX BOLT M12x30 8.8 ZN               | 4   |
| 6        | 1010666     | SPACER Ø12.5/30-20                   | 1   |
| 7        | 1011078     | HEX BOLT M12x50 8.8 ZN               | 1   |
| 8        | 1010742     | WHEEL Ø405x78                        | 1   |
| 9        | 1010336     | SIDE WHEEL ARM                       | 1   |
| 10       | 1011110     | HEX BOLT M16x85 8.8 ZN               | 1   |
| 11       | 1010429     | WASHER Ø17/26-1                      | 5   |
| 12       | 1010431     | CLAMP                                | 1   |
| 13       | 1010433     | HEX BOLT M10x35 10.9 ZN              | 2   |
| 14       | 1010770     | WASHER Ø23/38-1.5                    | 2   |
| 15       | 1010633     | HANDLE                               | 1   |
| 16       | 1010311     | BALL KNOB M8                         | 1   |
| 17       | 1010435     | COMPRESSION SPRING Ø20/1.8mm L0=33mm | 1   |
| 18       | 1010268     | CIRCLIP EXTERNAL Ø16 ZN              | 1   |
| 19       | 1016735     | LEVER LH                             | 1   |
| 20       | 1016950     | SUPPORT LH                           | 1   |
| 21       | 1016960     | DEPTH ADJUSTMENT PLATE               | 1   |
| 22       | 1011323     | HEX BOLT M12x40 8.8 ZN               | 2   |
| 23       | 1011229     | HEX LOCK NUT M12 ZN                  | 2   |
| 24       | 1011194     | HEX LOCK NUT M8 ZN                   | 2   |
| 25       | 1011542     | HEX BOLT M8X25 8.8 ZN                | 2   |



| ITEM NO. | PART NUMBER | DESCRIPTION                              | QTY |
|----------|-------------|--|-----|
| 1        | 1010323     | HUB ASSEMBLY                             | 1   |
| 2        | 1010247     | DISC STRAIGHT $\varnothing 457 \times 5$ | 1   |
| 3        | 1011737     | COUNTSUNK HEAD SCREW M12x35 10.9 ZN      | 4   |
| 4        | 1011229     | HEX LOCK NUT M12 ZN                      | 4   |



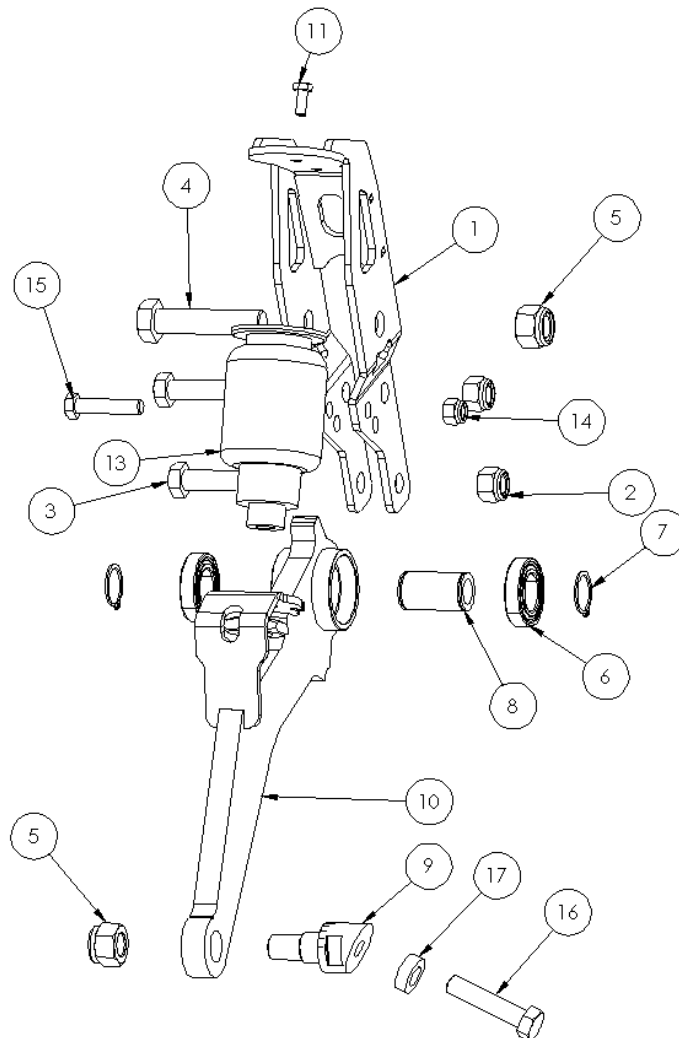
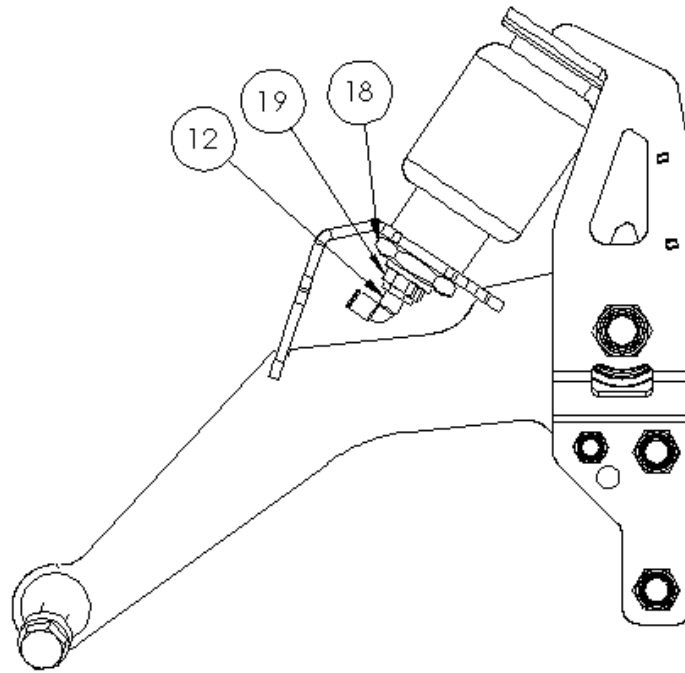
| ITEM NO. | PART NUMBER | DESCRIPTION  | QTY |
|----------|-------------|--|-----|
| 1        | 1010280     | AXLE   | 1   |
| 2        | 1010282     | CYLINDRAICAL BUSHING $\varnothing 22.23/25.4-25.4$ | 2   |
| 3        | 1010281     | WIPER SEAL 7/8"                                    | 2   |
| 4        | 1010274     | CIRCLIP INTERNAL $\varnothing 80$ ZN               | 1   |
| 5        | 1010276     | BEARING $\varnothing 38.1/80 \times 47$            | 1   |
| 6        | 1010279     | HUB  | 1   |
| 7        | 1010324     | SPACER $\varnothing 38.5/48-4$                     | 1   |
| 8        | 1010278     | RETAINING PLATE MB7 $\varnothing 35$               | 1   |
| 9        | 1010277     | LOCK NUT M35x1.5                                   | 1   |



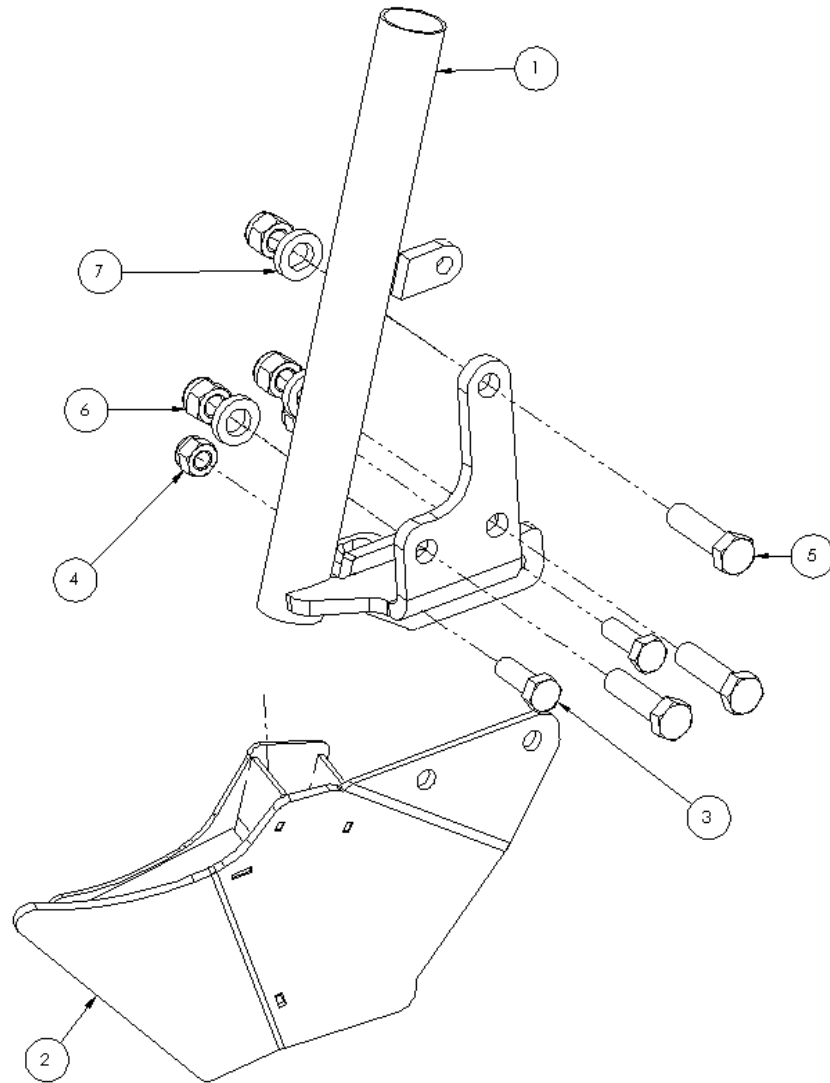
| ITEM NO. | PART NUMBER | DESCRIPTION                   | QTY |
|----------|-------------|-------------------------------|-----|
| 1        | 1016981     | CYCLONE SUPPORT RH            | 1   |
| 2        | 1010259     | CYCLONE SIMPLE (CONE AND LID) | 1   |
| 3        | 1010377     | CYCLONE MOUNT KIT             | 1   |
| 4        | 1011541     | HEX BOLT M12x35 8.8 ZN        | 2   |
| 5        | 1011229     | HEX LOCK NUT M12 ZN           | 2   |
| 6        | 1014379     | HOSE CLAMP Ø30-45mm A2        | 1   |
| 7        | 1010407     | REDUCTION Ø32/36 RUBBER       | 1   |
| 8        | 1018084     | HOSE CLAMP Ø25-40mm A2        | 1   |

## SPARE

| ITEM NO. | PART NUMBER | DESCRIPTION | QTY |
|----------|-------------|-------------|-----|
| 9        | 1014719     | CYCLONE LID | 1   |

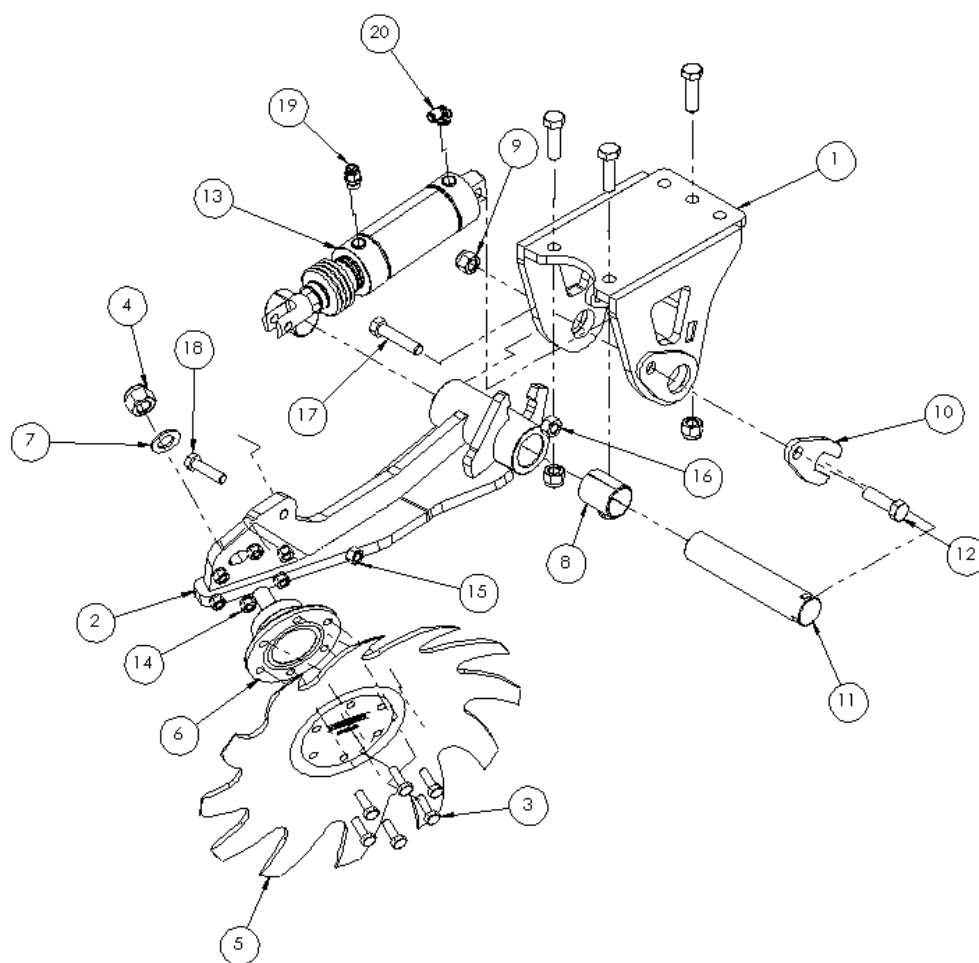


| ITEM NO. | PART NUMBER | DESCRIPTION                     | QTY |
|----------|-------------|---------------------------------|-----|
| 1        | 1016720     | PACKING ARM SUPPORT             | 1   |
| 2        | 1011233     | HEX LOCK NUT M16 ZN             | 2   |
| 3        | 1011105     | HEX BOLT M16x60 8.8 ZN          | 2   |
| 4        | 1011134     | HEX BOLT M20x90 8.8 ZN          | 1   |
| 5        | 1011235     | HEX LOCK NUT M20 ZN             | 2   |
| 6        | 1010439     | BALL BEARING 6006 2RS           | 2   |
| 7        | 1011550     | CIRCLIP EXTERNAL Ø30 ZN         | 2   |
| 8        | 1010648     | AXLE Ø20.5/30-54                | 1   |
| 9        | 1016708     | ANGLE ADJUSTER                  | 1   |
| 10       | 1016710     | CLOSING WHEEL ARM               | 1   |
| 11       | 1015521     | Ø6 PUSHFIT ELBOW Ø1/4" THREADED | 1   |
| 12       | 1016707     | AIRBAG Ø80x100                  | 1   |
| 13       | 1011229     | HEX LOCK NUT M12 ZN             | 1   |
| 14       | 1011079     | HEX BOLT M12x55 8.8 ZN          | 1   |
| 15       | 1011107     | HEX BOLT M16x70 8.8 ZN          | 1   |
| 16       | 1010652     | SPACER Ø16.5/30-10              | 1   |
| 17       | 1016971     | HEX NUT M30x1.5                 | 1   |
| 18       | 1015162     | ADAPTOR M/F 3/8" BSP / 1/4" BSP | 1   |
| 19       | 1017814     | SPACER 6mm                      | 1   |
| 20       | 1011542     | HEX BOLT M8x25 8.8 ZN           | 1   |

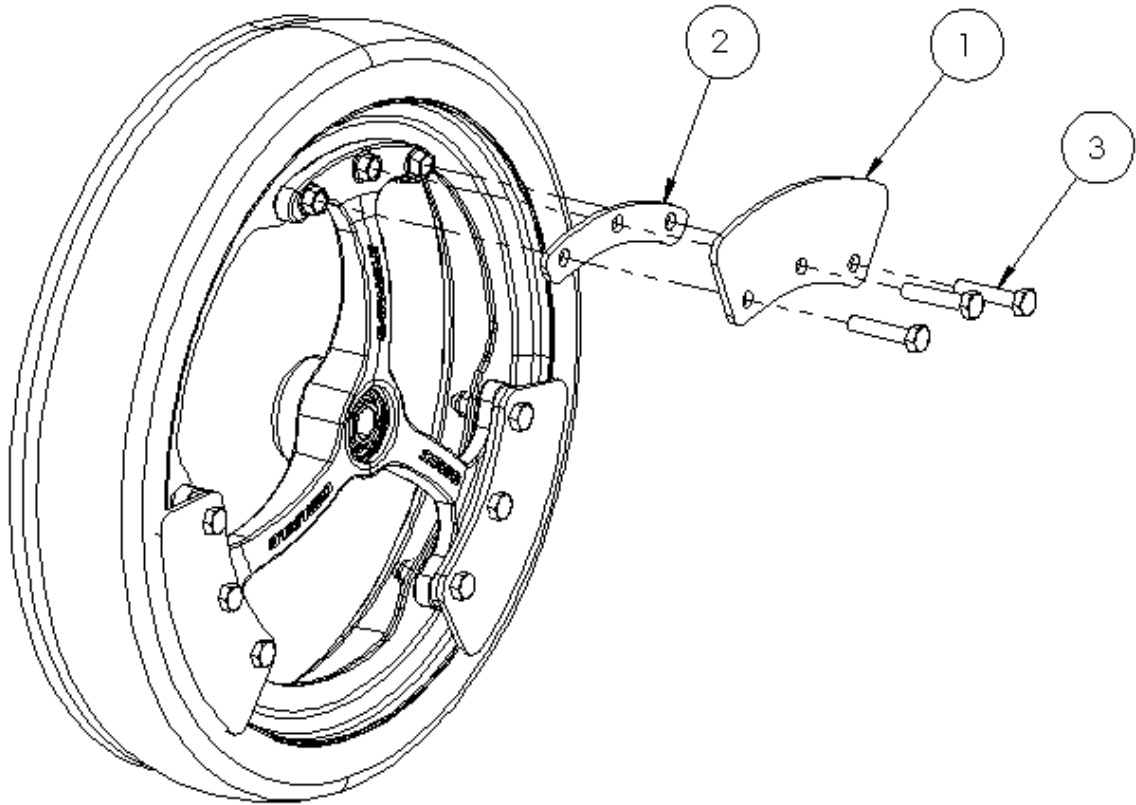


| ITEM NO. | PART NUMBER | DESCRIPTION            | QTY |
|----------|-------------|------------------------|-----|
| 1        | 1010204     | SEED BOOT MOUNT LH     | 1   |
| 2        | 1010206     | SEED BOOT LH           | 1   |
| 3        | 1010209     | HEX BOLT M10x30 8.8 ZN | 2   |
| 4        | 1011227     | HEX LOCK NUT M10 ZN    | 2   |
| 5        | 1011324     | HEX BOLT M12x45 8.8 ZN | 3   |
| 6        | 1011229     | HEX LOCK NUT M12 ZN    | 3   |
| 7        | 1010190     | WASHER Ø14/24-5 RUBBER | 3   |

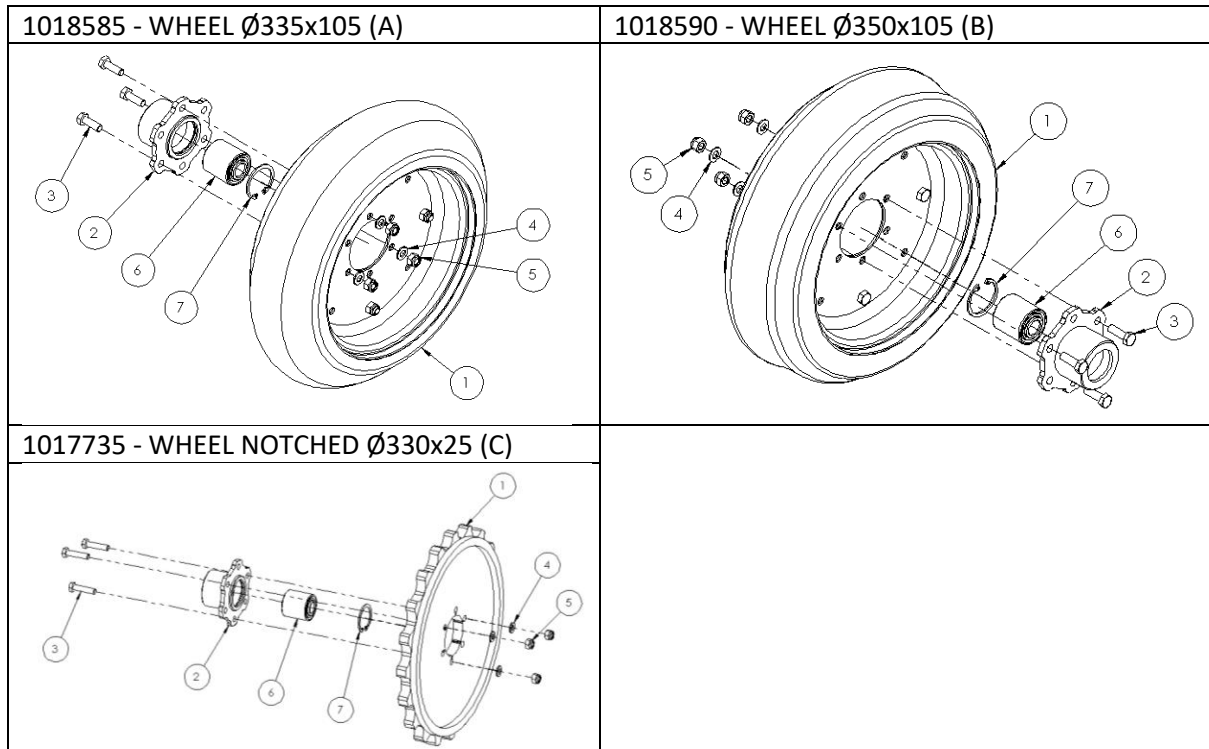




| ITEM NO. | PART NUMBER | DESCRIPTION                      | QTY |
|----------|-------------|----------------------------------|-----|
| 1        | 1014594     | MOUNTING BRACKET LH              | 1   |
| 2        | 1014577     | TRASH WHEEL ARM LH               | 1   |
| 3        | 1011542     | HEX BOLT M8X25 8.8 ZN            | 6   |
| 4        | 1011233     | HEX LOCK NUT M16 ZN              | 1   |
| 5        | 1010023     | TRASH WHEEL Ø343 6 x M8 LH       | 1   |
| 6        | 1010018     | HUB 20mm 6 X M8 Ø80mm            | 1   |
| 7        | 1011439     | WASHER M16 ZN                    | 1   |
| 8        | 1010286     | CYLINDRICAL BUSHING Ø30/34-40mm  | 2   |
| 9        | 1011229     | HEX LOCK NUT M12 ZN              | 4   |
| 10       | 1010284     | LOCKING PLATE                    | 1   |
| 11       | 1010283     | PIN Ø30x156mm                    | 1   |
| 12       | 1011323     | HEX BOLT M12x40 8.8 ZN           | 4   |
| 13       | 1017790     | PNEUMATIC CYLINDER               | 1   |
| 14       | 1011194     | HEX LOCK NUT M8 ZN               | 6   |
| 15       | 1017295     | HEX LOCK NUT UNC 3/8"            | 1   |
| 16       | 1017294     | HEX LOCK NUT UNC 7/16"           | 1   |
| 17       | 1017323     | HEX BOLT UNC 7/16"x2"            | 1   |
| 18       | 1017322     | HEX BOLT UNC 3/8"x 1 1/2"        | 1   |
| 19       | 1015163     | PUSH FIT ADAPTOR 6mm/ 1/4" BSP M | 1   |
| 20       | 1015521     | PUSH IN ELBOW Ø6mm / 1/4" BSP M  | 1   |



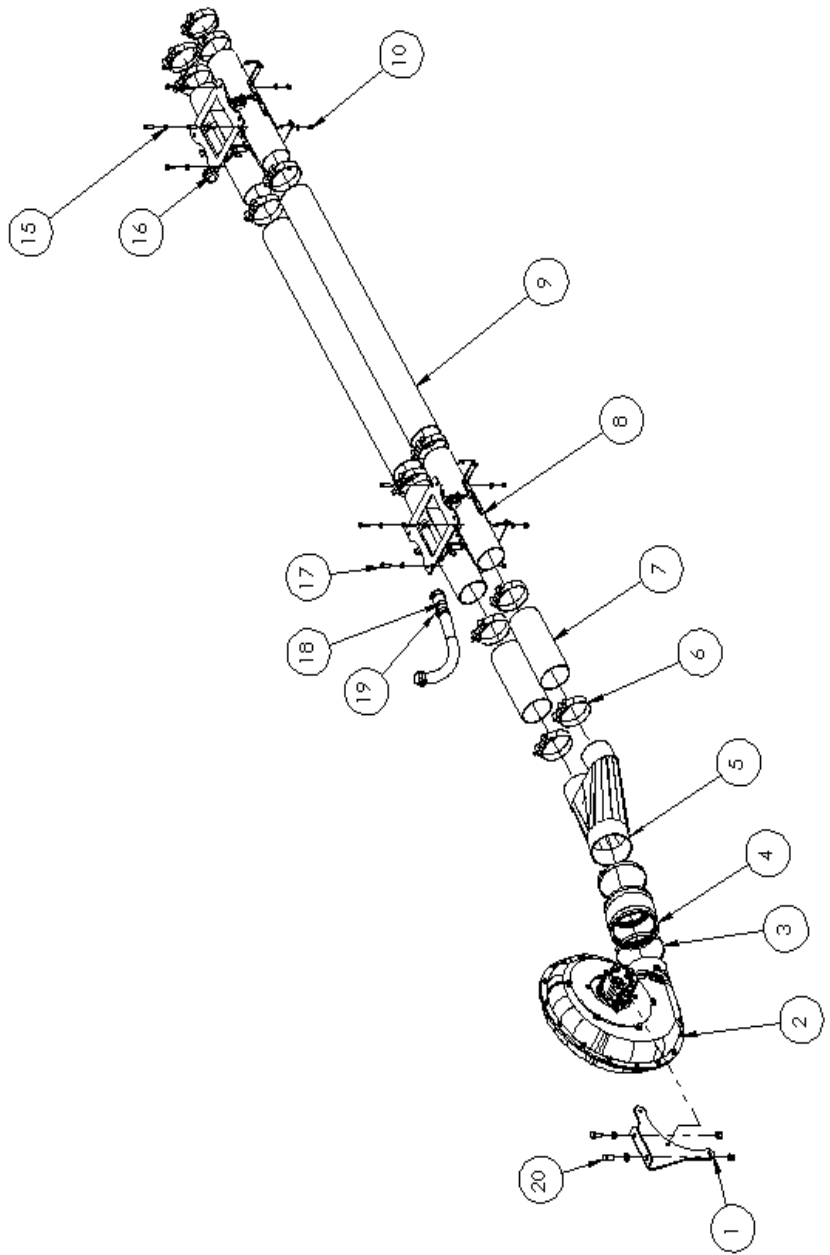
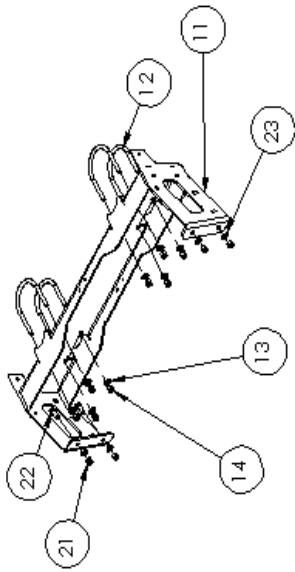
| ITEM NO. | PART NUMBER | DESCRIPTION           | QTY |
|----------|-------------|-----------------------|-----|
| 1        | 1017297     | TIRE CLAMPING PLATE   | 3   |
| 2        | 1017296     | SPACER 4mm            | 3   |
| 3        | 1011030     | HEX BOLT M8x40 8.8 ZN | 9   |



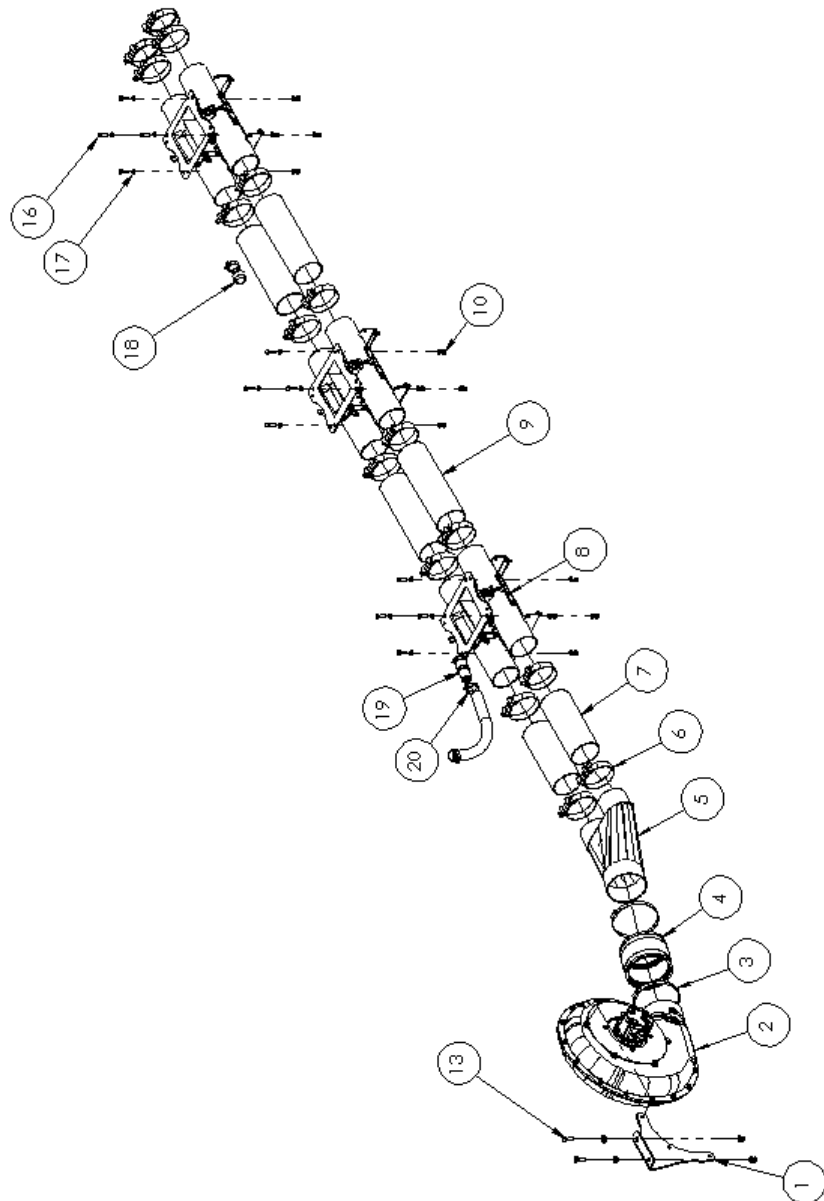
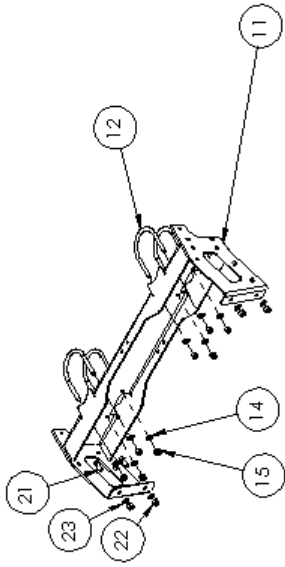
| ITEM NO. | PART NUMBER | DESCRIPTION                      | QTY |
|----------|-------------|----------------------------------|-----|
| 1 (A)    | 1014032     | WHEEL Ø335x105                   | 1   |
| 1(B)     | 1010326     | WHEEL Ø350x105                   | 1   |
| 1 (C)    | 1017570     | WHEELW RING Ø330x25              | 1   |
| 2        | 1017730     | HUB 6xØ8.5                       | 1   |
| 3        | 1011029     | HEX BOLT M8x35 8.8 ZN            | 3   |
| 4        | 1011435     | WASHER M8 ZN                     | 3   |
| 5        | 1011194     | HEX LOCK NUT M8 ZN               | 3   |
| 6        | 1010331     | DOUBLE ROW BALL BEARING 16x40x44 | 1   |
| 7        | 1010337     | CIRCLIP INTERNAL Ø40 ZN          | 1   |

## OLD HUB

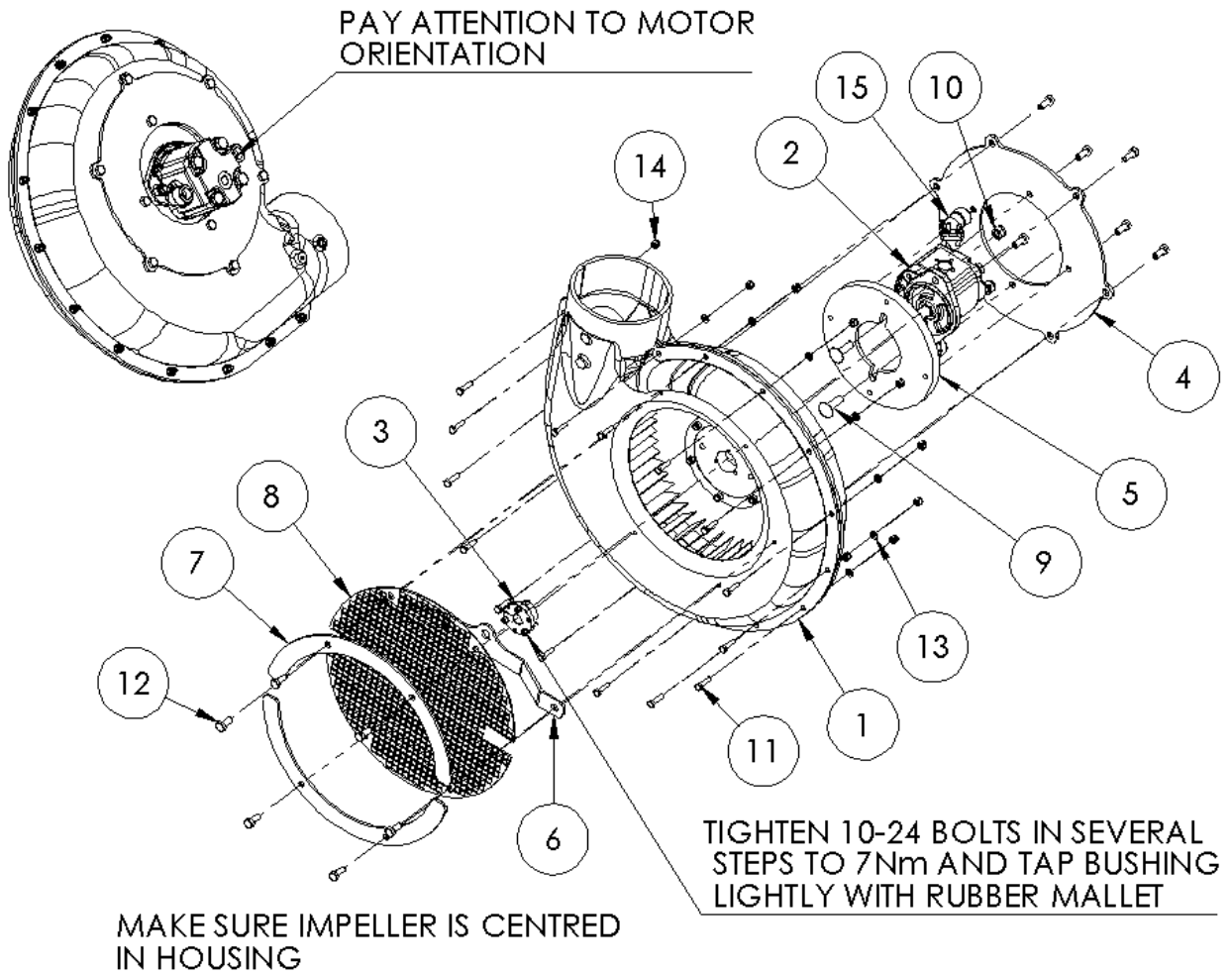
| ITEM NO. | PART NUMBER | DESCRIPTION                  | QTY |
|----------|-------------|------------------------------|-----|
| 1        | 1010589     | HUB 6xM8 Ø80mm               | 1   |
| 2        | 1010201     | DOUBLW ROW BALL BEARING 3206 | 1   |
| 3        | 1010591     | SHAFT                        | 1   |
| 4        | 1010438     | SEAL Ø30/48-4.5mm            | 1   |
| 5        | 1011550     | CIRCLIP EXTERNAL Ø30 ZN      | 1   |
| 6        | 1010270     | CIRCLIP INTERNAL Ø62 ZN      | 1   |



| ITEM NO. | PART NUMBER | DESCRIPTION                         | QTY |
|----------|-------------|-------------------------------------|-----|
| 1        | 1010949     | TURBINE SUPPORT                     | 1   |
| 2        | 1010415     | TURBINE ASSEMBLY                    | 1   |
| 3        | 1010827     | HOSE CLAMP Ø140-160mm A2            | 2   |
| 4        | 1014513     | PIPE COUPLING Ø135-150              | 1   |
| 5        | 1010683     | JUNCTION Ø140/2x102mm               | 1   |
| 6        | 1015708     | HOSE CLAMP Ø104-112mm A2            | 12  |
| 7        | 1010916     | HOSE Ø102                           | 2   |
| 8        | 1010894     | INJECTOR BOX ASSEMBLY DOUBLE Ø102mm | 2   |
| 9        | 1014003     | HOSE Ø102                           | 2   |
| 10       | 1011195     | HEX LOCKNUT M8 A2                   | 16  |
| 11       | 1014545     | DISTRIBUTION HEAD SUPPORT           | 1   |
| 12       | 1010054     | U-BOLT Ø114 M12                     | 4   |
| 13       | 1011437     | WASHER M12 ZN                       | 10  |
| 14       | 1011229     | HEX LOCK NUT M12 ZN                 | 10  |
| 15       | 1011447     | WASHER M8 A2                        | 32  |
| 16       | 1014095     | CAP Ø38mm PVC                       | 1   |
| 17       | 1014093     | HEX BOLT M8x30 A2                   | 16  |
| 18       | 1010407     | REDUCTION Ø32/36 RUBBER             | 1   |
| 19       | 1014379     | HOSE CLAMP Ø30-45mm A2              | 4   |
| 20       | 1011539     | HEX BOLT M12x30 8.8 ZN              | 2   |
| 21       | 1011230     | HEX LOCK NUT M12 A2                 | 4   |
| 22       | 1013235     | HEX BOLT M12X30 A2                  | 4   |
| 23       | 1011449     | WASHER M12 A2                       | 4   |

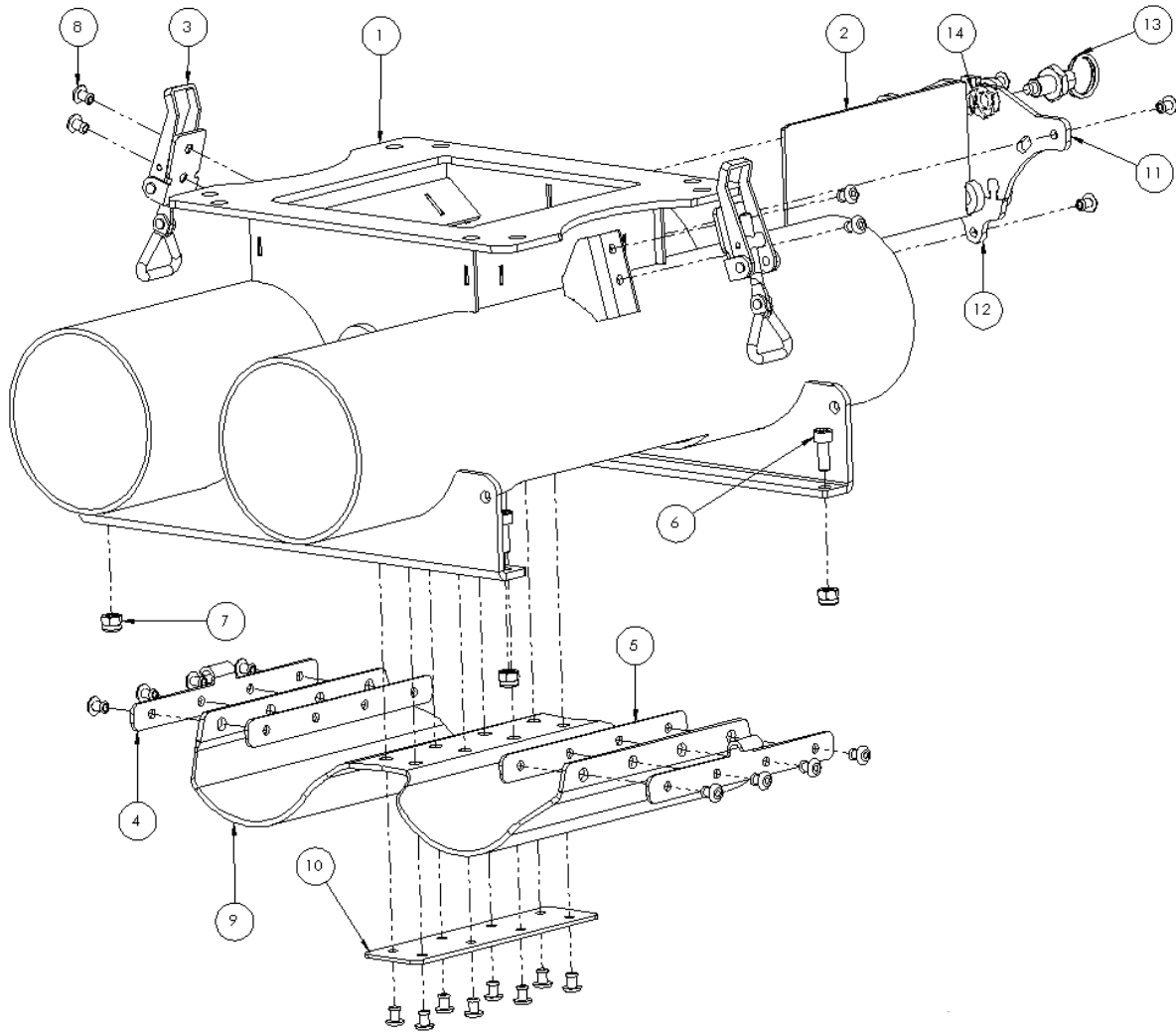


| ITEM NO. | PART NUMBER | DESCRIPTION                         | QTY |
|----------|-------------|-------------------------------------|-----|
| 1        | 1010949     | TURBINE SUPPORT                     | 1   |
| 2        | 1010415     | TURBINE ASSEMBLY                    | 1   |
| 3        | 1010827     | HOSE CLAMP Ø140-160mm A2            | 2   |
| 4        | 1014513     | PIPE COUPLING Ø135-150              | 1   |
| 5        | 1010683     | JUNCTION Ø140/2x102mm               | 1   |
| 6        | 1015708     | HOSE CLAMP 104-112mm A2             | 16  |
| 7        | 1010916     | HOSE Ø102                           | 2   |
| 8        | 1010894     | INJECTOR BOX ASSEMBLY DOUBLE Ø102mm | 3   |
| 9        | 1014380     | HOSE Ø102                           | 4   |
| 10       | 1011195     | HEX LOCKNUT M8 A2                   | 24  |
| 11       | 1014545     | DISTRIBUTION HEAD SUPPORT           | 1   |
| 12       | 1010054     | U-BOLT Ø114 M12                     | 4   |
| 13       | 1011539     | HEX BOLT M12x30 8.8 ZN              | 2   |
| 14       | 1011437     | WASHER M12 ZN                       | 10  |
| 15       | 1011229     | HEX LOCK NUT M12 ZN                 | 10  |
| 16       | 1014093     | HEX BOLT M8x30 A2                   | 24  |
| 17       | 1011447     | WASHER M8 A2                        | 48  |
| 18       | 1014095     | CAP Ø38mm PVC                       | 1   |
| 19       | 1010407     | REDUCTION Ø32/36 RUBBER             | 1   |
| 20       | 1014379     | HOSE CLAMP Ø30-45mm A2              | 4   |
| 21       | 1013235     | HEX BOLT M12x30 A2                  | 4   |
| 22       | 1011230     | HEX LOCK NUT M12 A2                 | 4   |
| 23       | 1011449     | WASHER M12 A2                       | 4   |



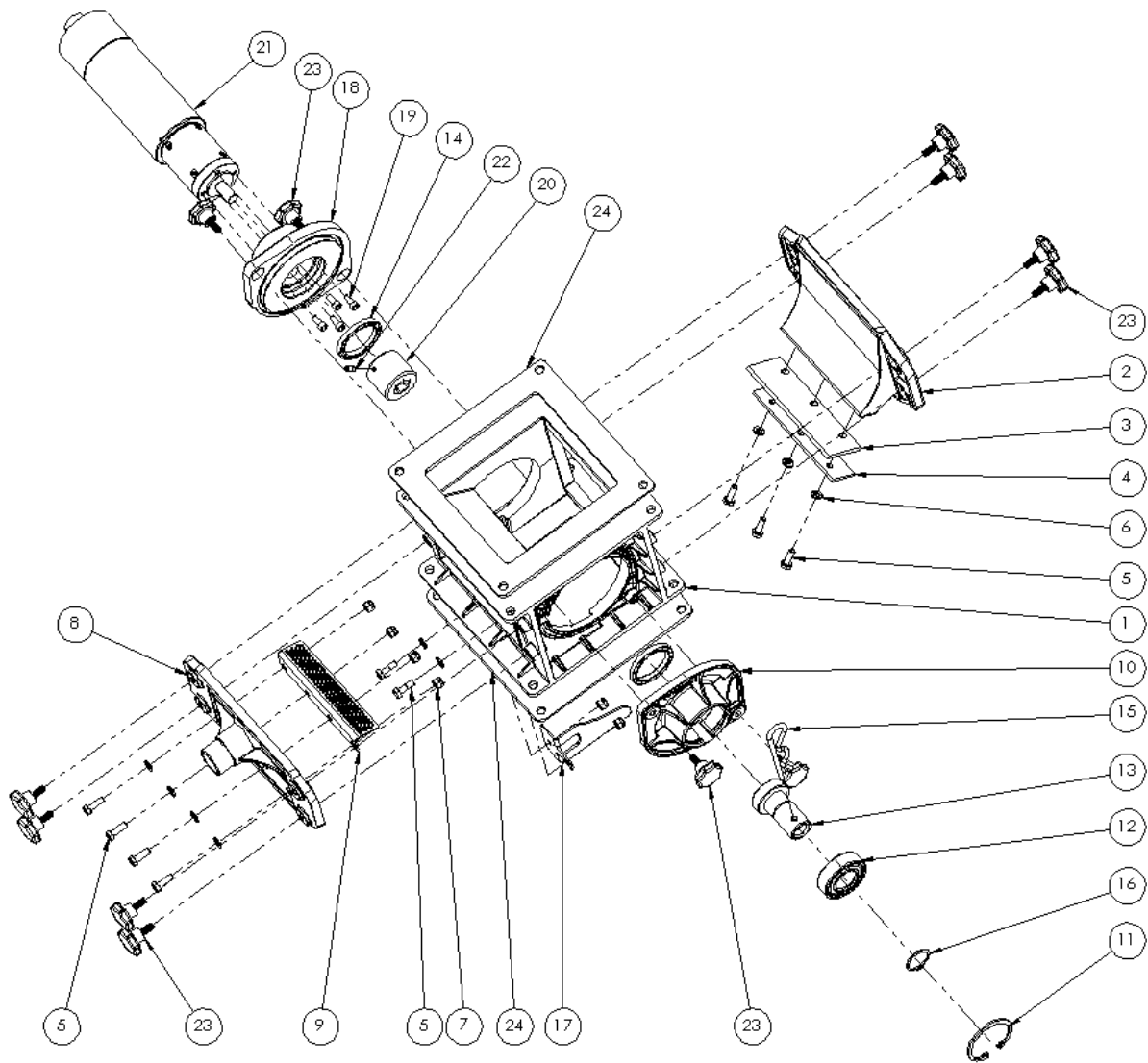
| ITEM NO. | PART NUMBER | DESCRIPTION                | QTY |
|----------|-------------|----------------------------|-----|
| 1        | 1010347     | TURBINE HOUSING + IMPELLER | 1   |
| 2        | 1010704     | HYDRAULIC MOTOR 6ccm       | 1   |
| 3        | 1010348     | QD BUSHING JA 5/8"         | 1   |
| 4        | 1010413     | MOTOR SUPPORT PLATE        | 1   |
| 5        | 1010414     | MOTOR FLANGE               | 1   |
| 6        | 1010416     | SENSOR SUPPORT             | 1   |
| 7        | 1010418     | MESH FIXATION PLATE        | 2   |
| 8        | 1010419     | WIRE MESH                  | 1   |
| 9        | 1010420     | COACH BOLT M10x35 8.8 ZN   | 2   |
| 10       | 1011227     | HEX LOCK NUT M10 ZN        | 2   |
| 11       | 1010421     | HEX BOLT M6x25 8.8. ZN     | 15  |
| 12       | 1011538     | HEX BOLT M8x20 8.8 ZN      | 16  |
| 13       | 1011434     | WASHER M6 ZN               | 15  |
| 14       | 1011225     | HEX LOCK NUT M6 ZN         | 15  |
| 15       | 1010705     | ELBOW 90deg ITA 1/2"       | 2   |





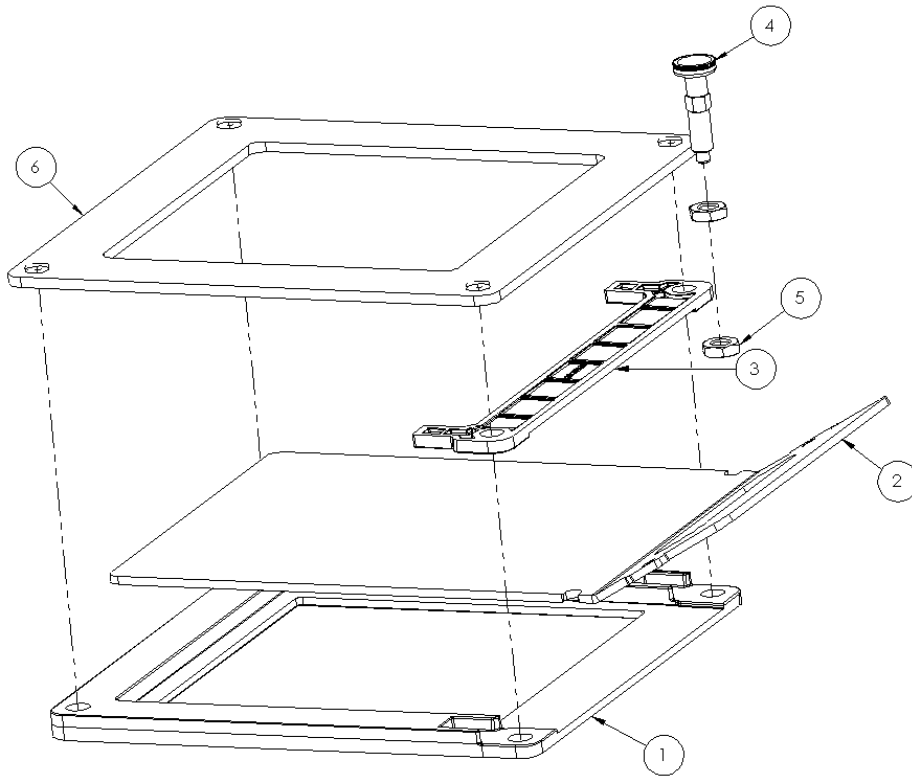
| ITEM NO. | PART NUMBER | DESCRIPTION                | QTY |
|----------|-------------|----------------------------|-----|
| 1        | 1010857     | INJECTOR BOX DOUBLE Ø102mm | 1   |
| 2        | 1018480     | FLAP                       | 1   |
| 3        | 1010700     | LATCH ADJUSTABLE A2        | 2   |
| 4        | 1010808     | PLATE                      | 2   |
| 5        | 1010809     | PLATE                      | 2   |
| 6        | 1011790     | CAP SCREW M6x16 A2         | 4   |
| 7        | 1011226     | HEX LOCK NUT M6 A2         | 4   |
| 8        | 1013053     | RIVET 4.8x12 A2            | 23  |
| 9        | 1010860     | RUBBER FLAP                | 1   |
| 10       | 1010859     | PLATE                      | 1   |
| 11       | 1010861     | PLATE                      | 1   |
| 12       | 1010862     | PLATE                      | 1   |
| 13       | 1010702     | INDEX PLUNGER M10 A2       | 1   |
| 14       | 1013059     | HEX NUT THIN M10 A2        | 2   |

Note: FLAP has been updated from 1010858 to 1018480 (from 1/22)

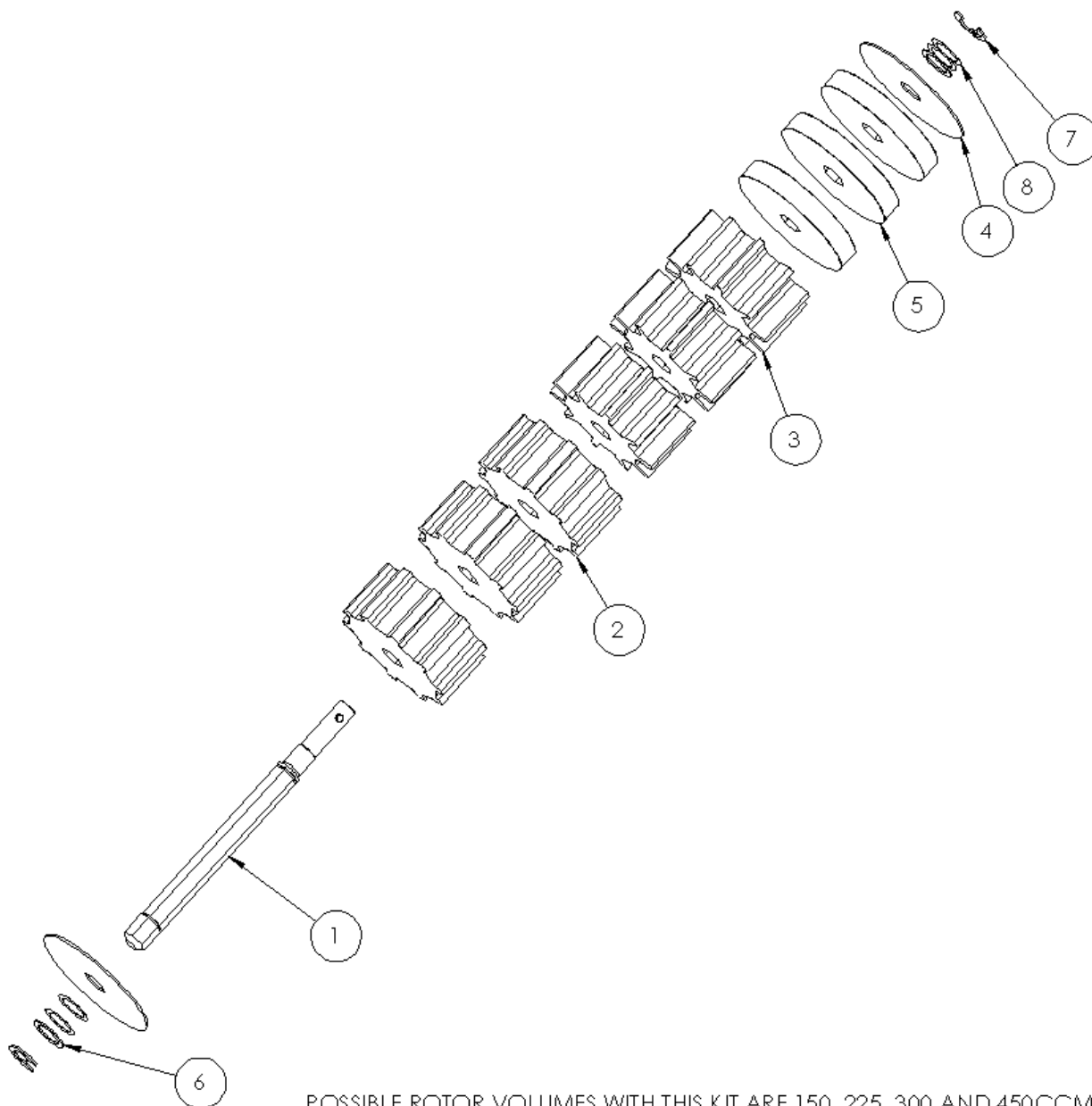


| ITEM NO. | PART NUMBER | DESCRIPTION                | QTY |
|----------|-------------|----------------------------|-----|
| 1        | 1012309     | METER HOUSING WITH INSERTS | 1   |
| 2        | 1012291     | FUNNEL DOOR WITH INSERTS   | 1   |
| 3        | 1012298     | RUBBER SCAPER              | 1   |
| 4        | 1012297     | CLAMPING PLATE             | 1   |
| 5        | 1014463     | HEX BOLT M6x18 A2          | 9   |
| 6        | 1011446     | WASHER M6 A2               | 9   |
| 7        | 1011226     | HEX LOCK NUT M6 A2         | 6   |
| 8        | 1012305     | VENT DOOR                  | 1   |
| 9        | 1012329     | MESH PLATE                 | 1   |
| 10       | 1012307     | SPINDLE MOUNT              | 1   |
| 11       | 1011572     | CIRCLIP INTERNAL Ø52 A2    | 1   |
| 12       | 1014429     | BALL BEARING 6205 2RS A2   | 1   |
| 13       | 1011924     | SHAFT Ø25/40x60mm          | 1   |
| 14       | 1011926     | RADIAL SHAFT SEAL Ø40/52x5 | 2   |
| 15       | 1010349     | BETA PIN Ø4.5 A2           | 1   |
| 16       | 1011561     | CIRCLIP EXTERNAL Ø25 A2    | 1   |
| 17       | 1018475     | DIVIDER PLATE              | 1   |
| 18       | 1012290     | MOTOR FLANGE               | 1   |
| 19       | 1011592     | CAP SCREW M5x12 8.8 ZN     | 4   |
| 20       | 1012340     | ADAPTOR COUPLING           | 1   |
| 21       | 1010350     | GEARED MOTOR               | 1   |
| 22       | 1015253     | GRUB SCREW M5x12 A2        | 1   |
| 23       | 1012343     | KNOB M6x15 A2              | 12  |
| 24       | 1014861     | FOAM SEAL SELF-ADHESIVE    | 2   |

Note: Divider plate has been updated from 1012344 to 1018475 (from 1/22)

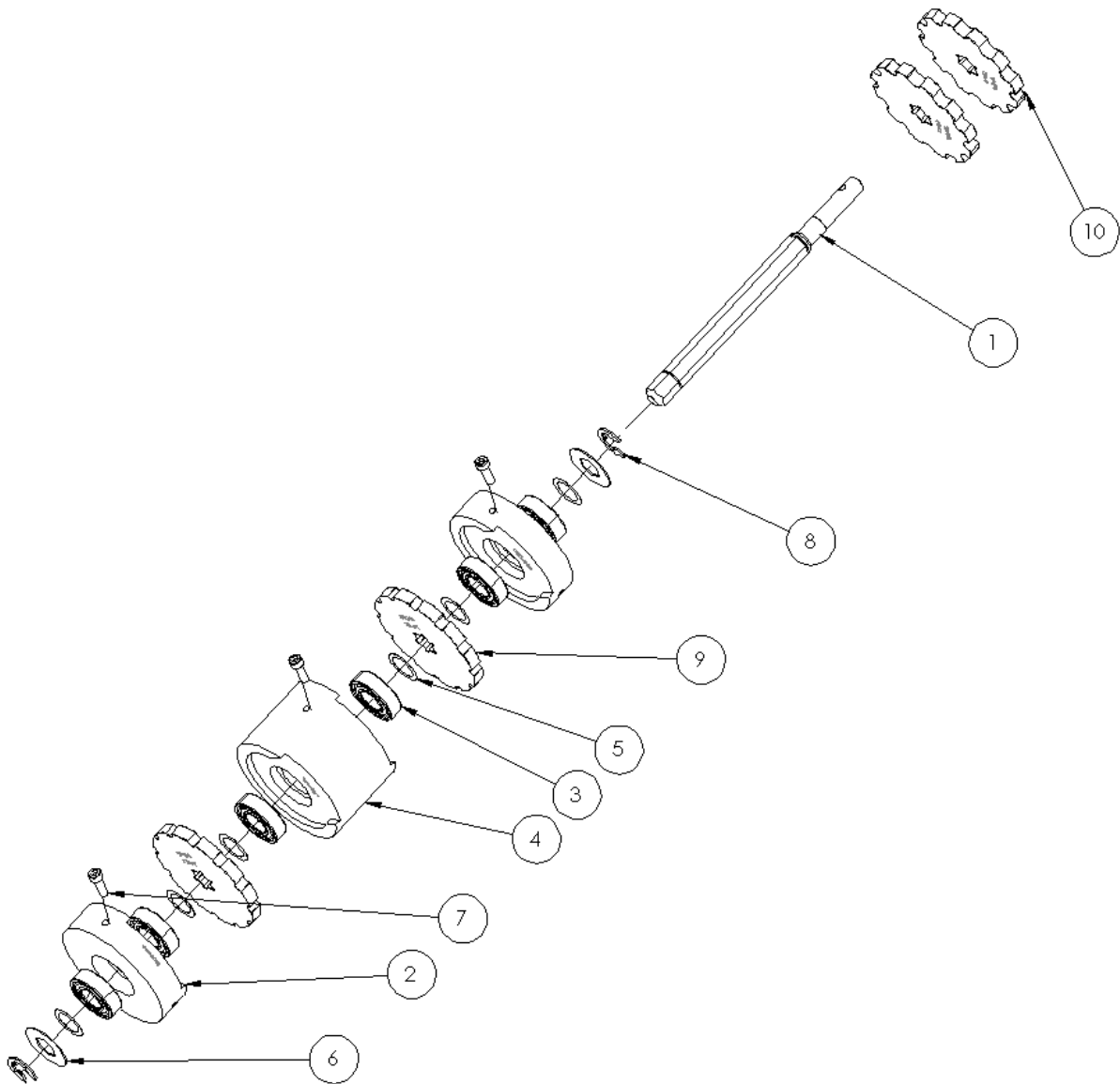


| ITEM NO. | PART NUMBER | DESCRIPTION             | QTY |
|----------|-------------|-------------------------|-----|
| 1        | 1012336     | GUILLOTINE FRAME LOWER  | 1   |
| 2        | 1012337     | GUILLOTINE DOOR         | 1   |
| 3        | 1012342     | GUILLOTINE FRAME UPPER  | 1   |
| 4        | 1012339     | INDEX PLUNGER M8 Ø5 A2  | 1   |
| 5        | 1013221     | HEX NUT THIN M8 A2      | 2   |
| 6        | 1014861     | FOAM SEAL SELF-ADHESIVE | 1   |



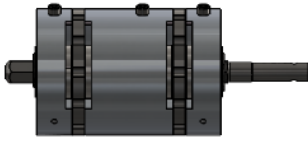
POSSIBLE ROTOR VOLUMES WITH THIS KIT ARE 150, 225, 300 AND 450CCM

| ITEM NO. | PART NUMBER | DESCRIPTION                           | QTY |
|----------|-------------|---------------------------------------|-----|
| 1        | 1014229     | ROTOR SHAFT 17mm HEXAGONAL            | 1   |
| 2        | 1014230     | METERING WHEEL 75ccm Ø100x48 PLASTIC  | 3   |
| 3        | 1014232     | METERING WHEEL 150ccm Ø100x48 PLASTIC | 3   |
| 4        | 1014240     | DISC Ø100x1.5                         | 2   |
| 5        | 1014241     | SPACER WHEEL Ø100x16 PLASTIC          | 3   |
| 6        | 1014242     | SHIM WASHER Ø20/28x1 A2               | 2   |
| 7        | 1010228     | LOCK WASHER Ø15 A2                    | 2   |
| 8        | 1014243     | SHIM WASHER Ø20/28x0.2 A2             | 4   |

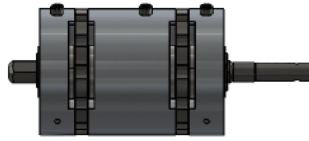


| ITEM NO. | PART NUMBER | DESCRIPTION                      | QTY |
|----------|-------------|----------------------------------|-----|
| 1        | 1014229     | ROTOR SHAFT 17mm HEXAGONAL       | 1   |
| 2        | 1014356     | SPACER Ø100x28                   | 2   |
| 3        | 1010359     | BALL BEARING 6004 2RS A2         | 6   |
| 4        | 1014357     | SPACER Ø100x70                   | 1   |
| 5        | 1014243     | SHIM WASHER Ø20/28x0.2 A2        | 6   |
| 6        | 1014358     | SPACER Ø40x1                     | 2   |
| 7        | 1011790     | CAP SCREW M6x16 A2               | 3   |
| 8        | 1010228     | LOCK WASHER Ø15 A2               | 2   |
| 9        | 1014344     | METERING WHEEL 2.5ccm Ø100x10 A2 | 2   |
| 10       | 1014346     | METERING WHEEL 7.5ccm Ø100x10 A2 | 2   |

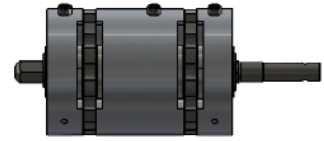
1014350 - ROTOR ASSEMBLY 5CC A2



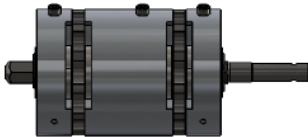
1014351 - ROTOR ASSEMBLY 10CC A2



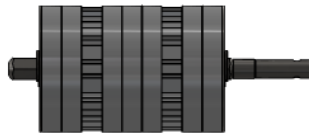
1014352 - ROTOR ASSEMBLY 15CC A2



1017875 - ROTOR ASSEMBLY 30CC A2



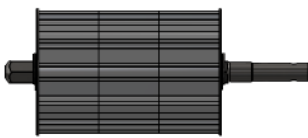
1017555 - ROTOR ASSEMBLY 50CC PLASTIC



1014249 - ROTOR ASSEMBLY 150CC PLASTIC



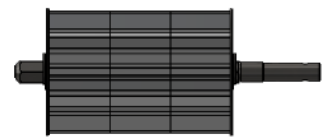
1014250 - ROTOR ASSEMBLY 225CC PLASTIC



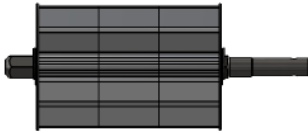
1014251 - ROTOR ASSEMBLY 300CC PLASTIC



1014252 - ROTOR ASSEMBLY 450CC PLASTIC



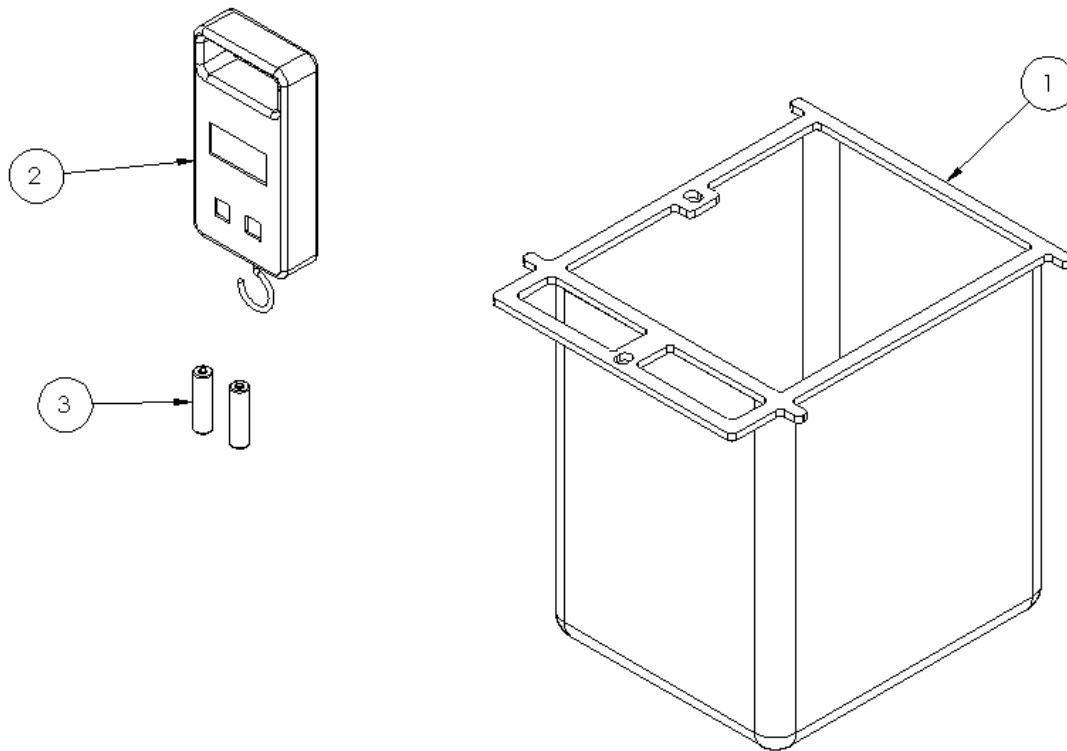
1014253 - ROTOR ASSEMBLY 600CC PLASTIC



1018780 - ROTOR ASSEMBLY 750CC A2



| ITEM NO. | PART NUMBER | DESCRIPTION    | QTY |
|----------|-------------|----------------|-----|
| 1        | 1014350     | ROTOR 5CC A2   | 1   |
| 2        | 1014351     | ROTOR 10CC A2  | 1   |
| 3        | 1014352     | ROTOR 15CC A2  | 1   |
| 4        | 1017875     | ROTOR 30CC A2  | 1   |
| 5        | 1017555     | ROTOR 50CC A2  | 1   |
| 6        | 1014249     | ROTOR 150CC A2 | 1   |
| 7        | 1014250     | ROTOR 225CC A2 | 1   |
| 8        | 1014251     | ROTOR 300CC A2 | 1   |
| 9        | 1014252     | ROTOR 450CC A2 | 1   |
| 10       | 1014253     | ROTOR 600CC A2 | 1   |
| 11       | 1018780     | ROTOR 750CC A2 | 1   |

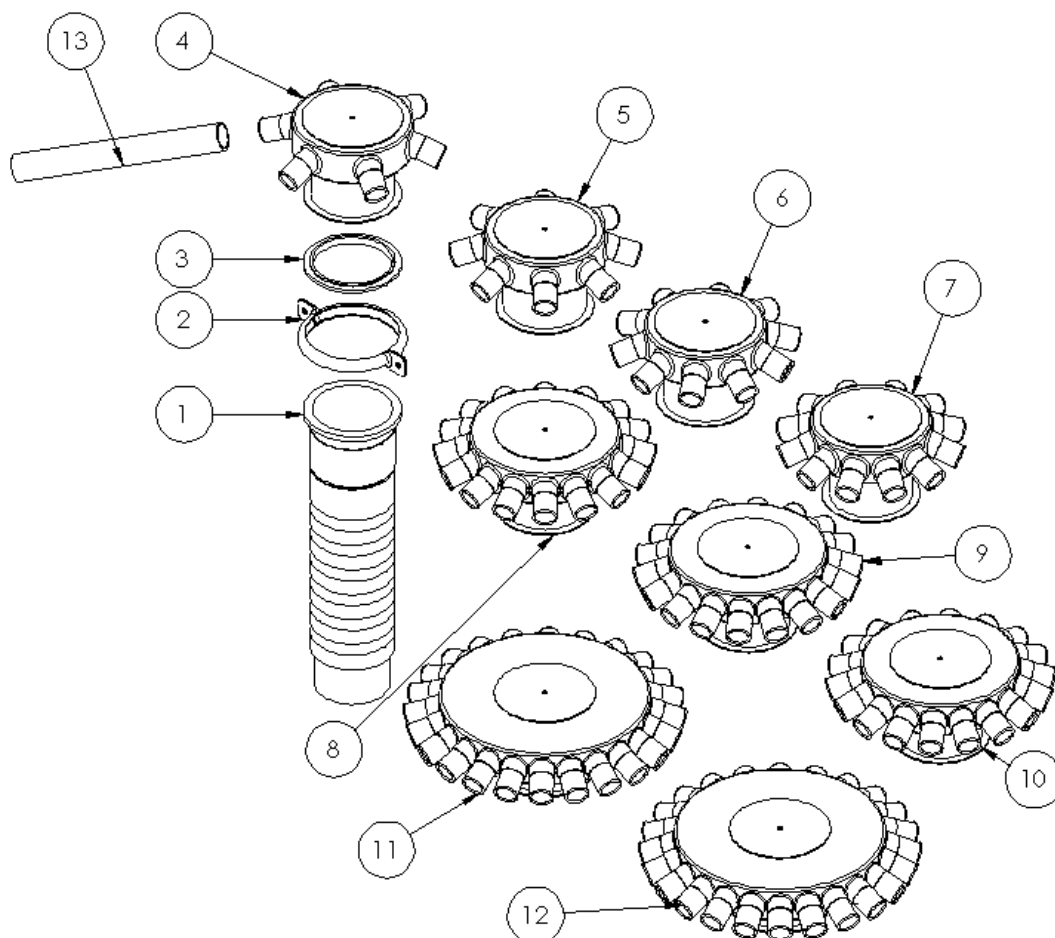


| ITEM NO. | PART NUMBER | DESCRIPTION              | QTY |
|----------|-------------|--------------------------|-----|
| 1        | 1014504     | CALIBRATION BAG ASSEMBLY | 1   |
| 2        | 1014505     | HANDHELD SCALE           | 1   |
| 3        | 1014520     | BATTERY AAA              | 2   |

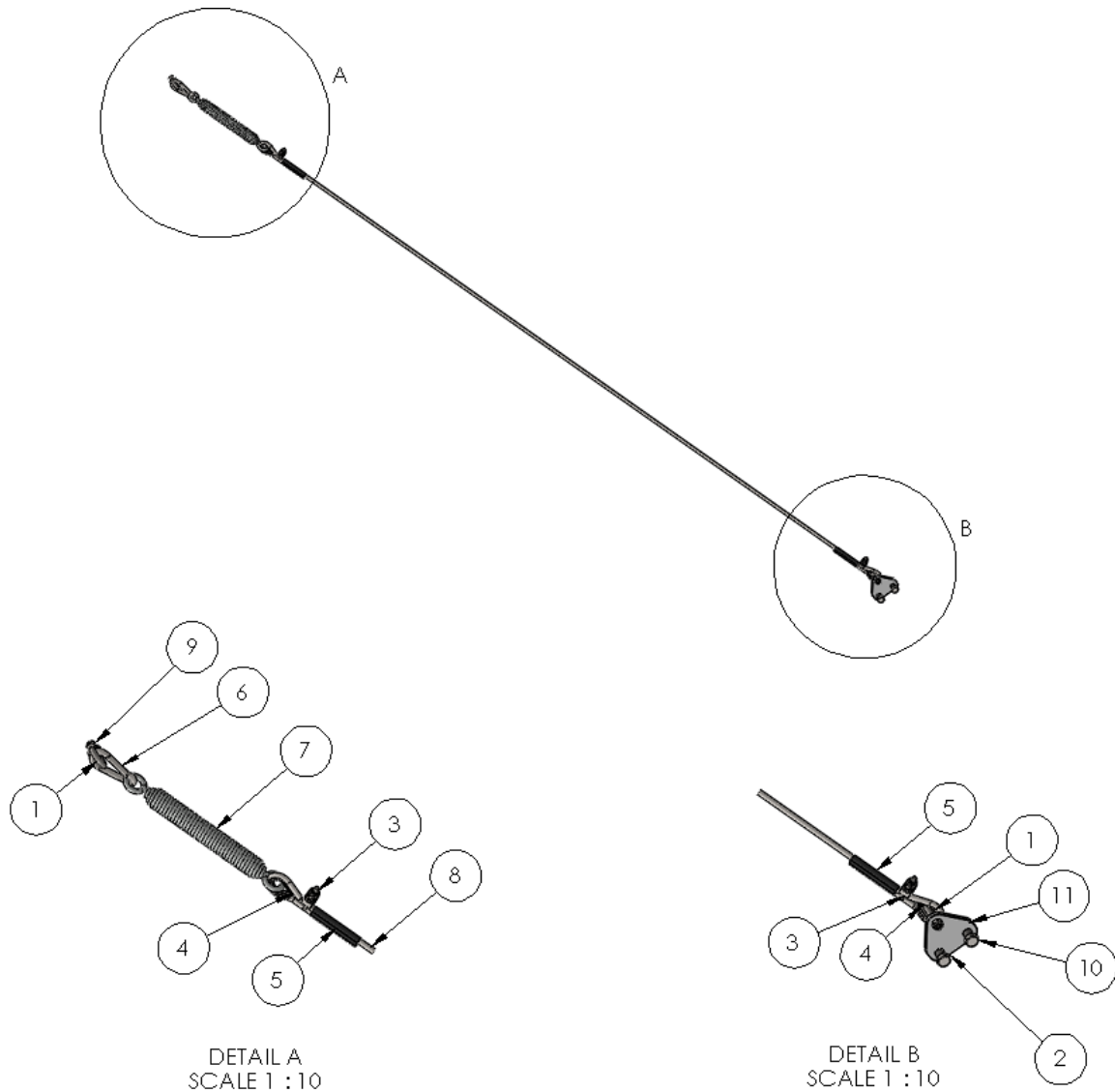
#### CALIBRATION BAG ASSEMBLY

| ITEM NO. | PART NUMBER | DESCRIPTION           | QTY |
|----------|-------------|-----------------------|-----|
| 1        | 1014502     | CALIBRATION BAG PLATE | 1   |
| 2        | 1014503     | CALIBRATION BAG       | 1   |

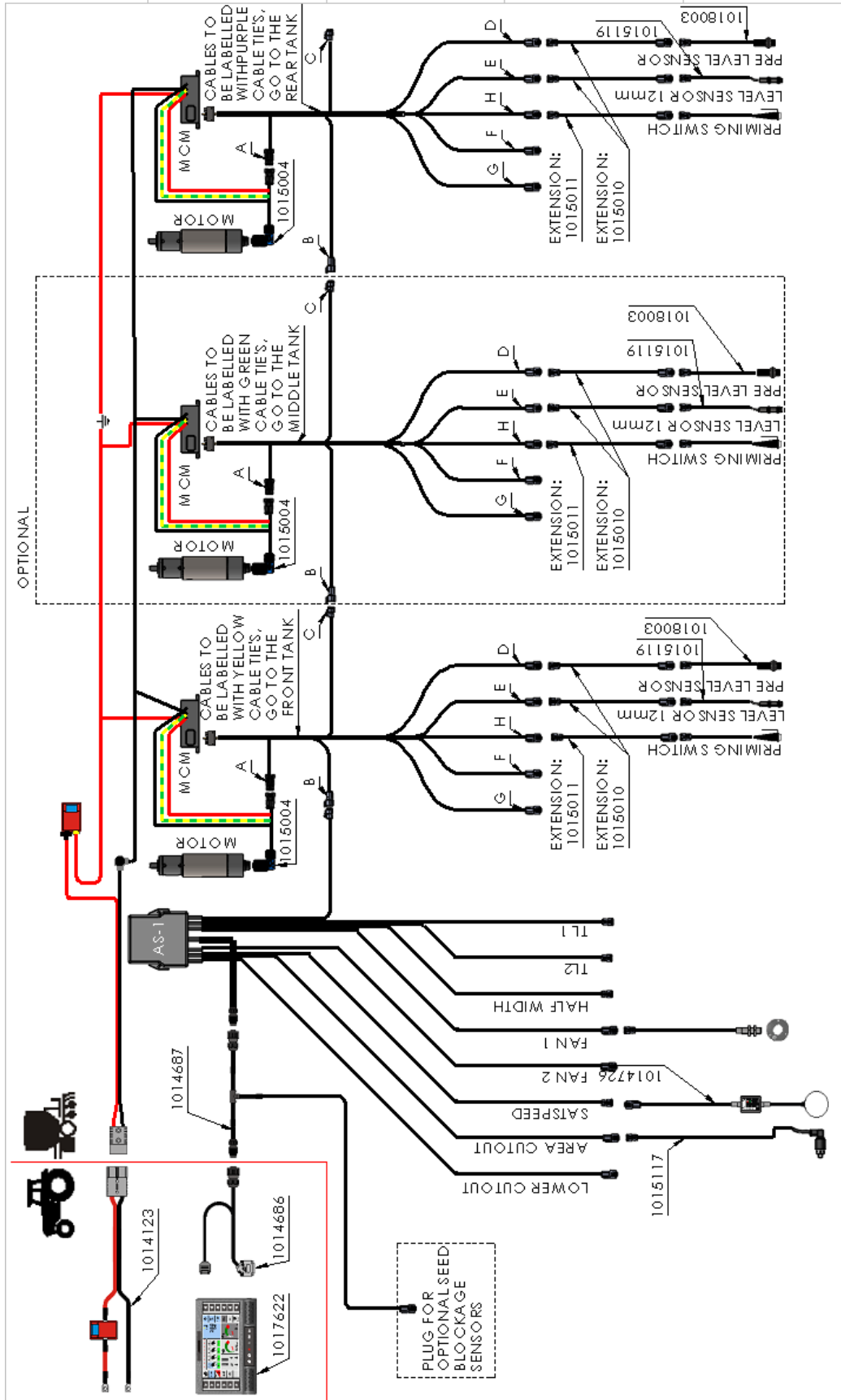




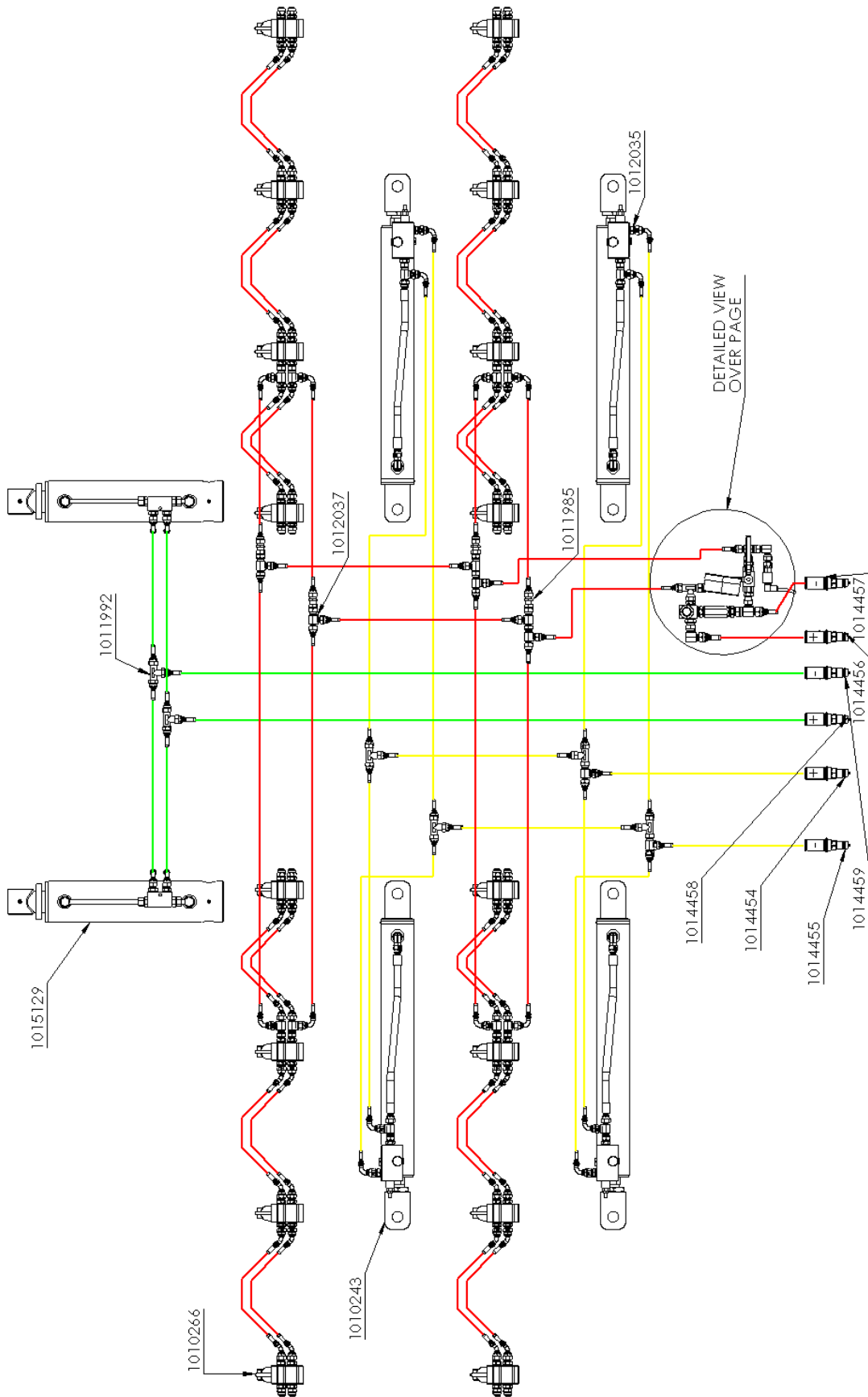
| ITEM NO. | PART NUMBER | DESCRIPTION                 | QTY |
|----------|-------------|-----------------------------|-----|
| 1        | 10104546    | DISTRIBUTION HEAD TUBE Ø100 | 1   |
| 2        | 1010465     | CLAMP Ø130mm                | 1   |
| 3        | 1010459     | SEAL PVC                    | 1   |
| 4        | 1010933     | DISTRIBUTION HEAD 6x Ø32    | 1   |
| 5        | 1010406     | DISTRIBUTION HEAD 8x Ø32    | 1   |
| 6        | 1010460     | DISTRIBUTION HEAD 10x Ø32   | 1   |
| 7        | 1010461     | DISTRIBUTION HEAD 12x Ø32   | 1   |
| 8        | 1010462     | DISTRIBUTION HEAD 16x Ø32   | 1   |
| 9        | 1010463     | DISTRIBUTION HEAD 18x Ø32   | 1   |
| 10       | 1010464     | DISTRIBUTION HEAD 20x Ø32   | 1   |
| 11       | 1018616     | DISTRIBUTION HEAD 24x Ø32   | 1   |
| 12       | 1018617     | DISTRIBUTION HEAD 28x Ø32   | 1   |
| 13       | 1010817     | HOSE Ø32x3mm PU 20m ROLL    | 1   |



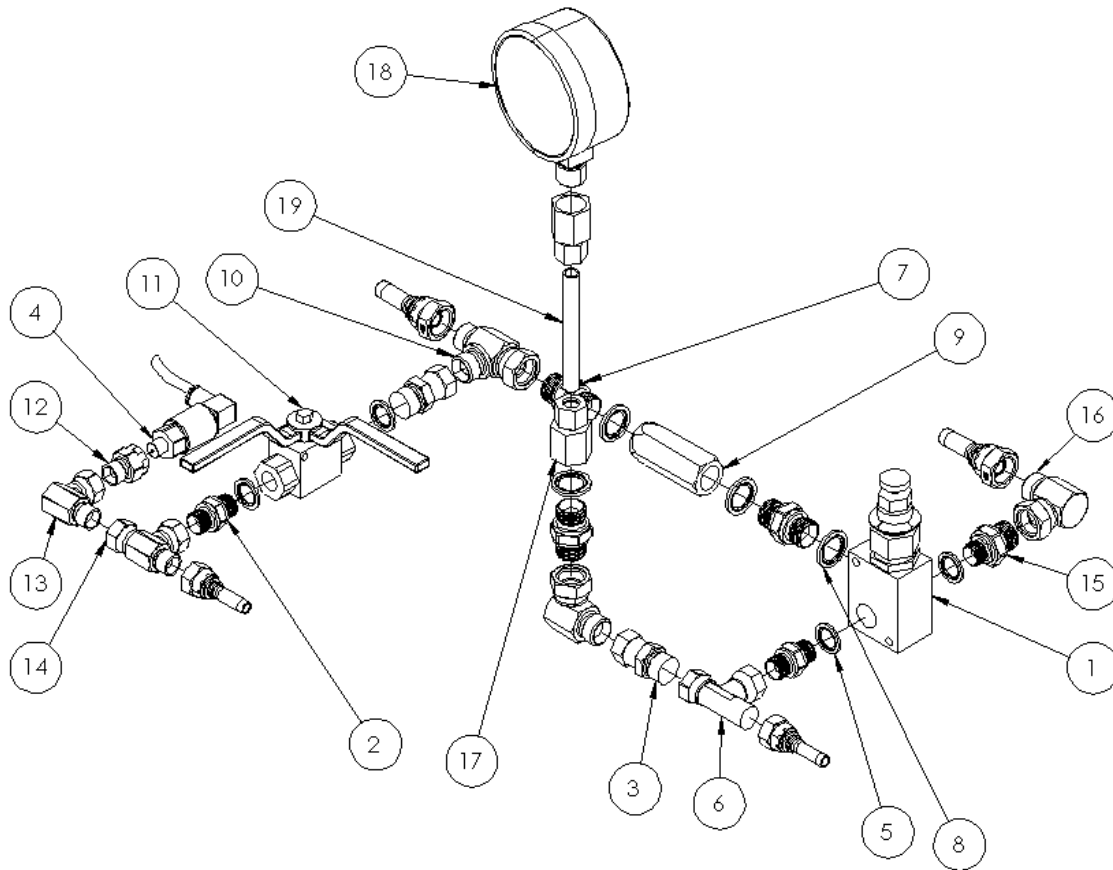
| ITEM NO. | PART NUMBER | DESCRIPTION                   | QTY |
|----------|-------------|-------------------------------|-----|
| 1        | 1011984     | EYE BOLT M8 A2                | 2   |
| 2        | 1014035     | SUPPORT PLATE                 | 1   |
| 3        | 1010389     | WIRE ROPE GRIP Ø8mm ZN        | 2   |
| 4        | 1010390     | WIRE ROPE THIMBLE Ø8mm ZN     | 2   |
| 5        | 1010547     | HEAT SHRINK TUBING            | 2   |
| 6        | 1013007     | SNAP HOOK 80X8mm              | 1   |
| 7        | 1010028     | TENSION SPRING Ø30X5 LO=268mm | 1   |
| 8        | 1014036     | STEEL CABLE Ø8mm              | 1   |
| 9        | 1011194     | HEX LOCK NUT M8 ZN            | 2   |
| 10       | 1011323     | HEX BOLT M12x40 8.8 ZN        | 2   |
| 11       | 1011229     | HEX LOCK NUT M12 ZN           | 2   |



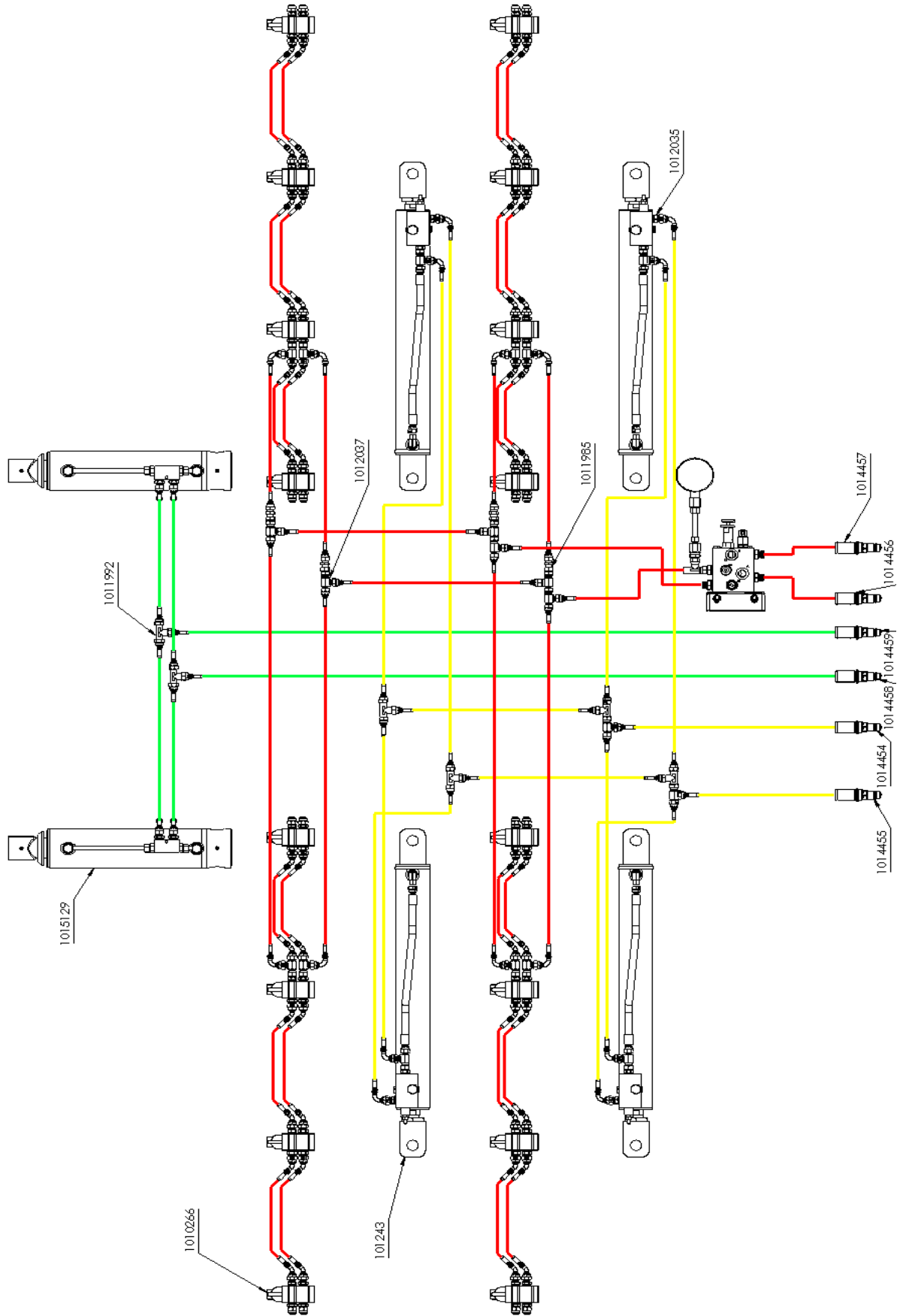
| ITEM NO. | PART NUMBER | DESCRIPTION                           | QTY (2 TANK) | QTY (3 TANK) |
|----------|-------------|---------------------------------------|--------------|--------------|
| 1        | 1017622     | ISOCAN ARTEMIS HEAD UNIT              | 1            | 1            |
| 2        | 1014123     | TRACTOR POWER CABLE 60A               | 1            | 1            |
| 3        | 1015117     | HYDRAULIC PRESSURE SWITCH             | 1            | 1            |
| 4        | 1015004     | MOTOR HARNESS 3500mm                  | 2            | 3            |
| 5        | 1015011     | PRIMING SWITCH EXTENSION              | 2            | 3            |
| 6        | 1015010     | LEVEL SENOR EXTENSION                 | 4            | 6            |
| 7        | 1015119     | Ø12mm LEVEL SENSOR ASSEMBLY           | 2            | 3            |
| 8        | 1010350     | MOTOR WITH ENCODER                    | 2            | 3            |
| 9        | 1014686     | ISOCAN HEAD UNIT CABLE                | 1            | 1            |
| 10       | 1014687     | ISOBUS EXTENSION LEAD C/W CABLE       | 1            | 1            |
| 11       | 1014726     | SATSPEED 2 GPS INTERFACE              | 1            | 1            |
| 12       | 1014682     | SWITCH LEAD                           | 2            | 3            |
| 13       | 1014681     | PUSH BUTTON SWITCH KIT                | 2            | 3            |
| 14       | 1014382     | ISOBUS CABLE                          | 1            | 1            |
| 15       | 1014678     | ISOBUS CABLE WITH POWER SUPPLY        | 1            | 1            |
| 16       | 1018003     | PRE-LEVEL SENSOR – CAPACITANCE SENSOR | 1            | 1            |



| ITEM NO. | PART NUMBER | DESCRIPTION                             | QTY |
|----------|-------------|---|-----|
| 1        | 1010243     | HYDRAULIC CYLINDER ASSEMBLY Ø40/80 S600 | 4   |
| 2        | 1010266     | HYDRAULIC CYLINDER Ø32/20 S100          | ~   |
| 3        | 1015129     | CHASSIS LIFTING CYLINDER ASSEMBLY       | 2   |
| 4        | 1011992     | TEE M/M/M 3/8" BSP                      | 6   |
| 5        | 1011985     | BULKHEAD ADAPTOR M/M 3/8" BSP           | 4   |
| 6        | 1012037     | TEE M/M/F 3/8" BSP                      | 8   |
| 7        | 1014454     | COUPLER YELLOW + BG3                    | 1   |
| 8        | 1014455     | COUPLER YELLOW – BG3                    | 1   |
| 9        | 1014456     | COUPLER RED + BG3                       | 1   |
| 10       | 1014457     | COUPLER RED – BG3                       | 1   |
| 11       | 1014458     | COUPLER GREEN + BG3                     | 1   |
| 12       | 1014459     | COUPLER GREEN – BG3                     | 1   |



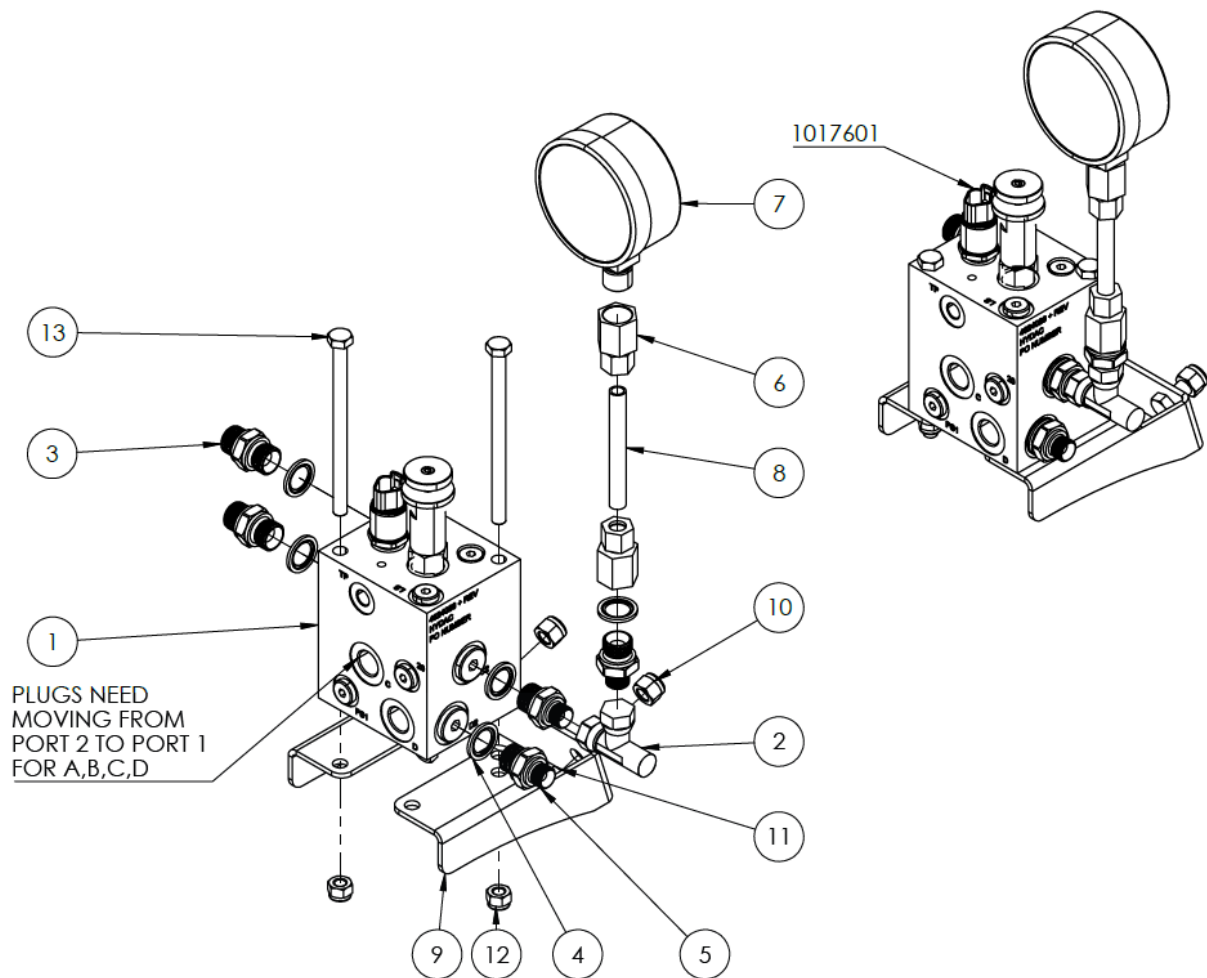
| ITEM NO. | PART NUMBER | DESCRIPTION                                    | QTY |
|----------|-------------|--|-----|
| 1        | 1010940     | DIRECTACTING, GUIDED POPPET STYLE RELIEF VALVE | 1   |
| 2        | 1012035     | ADAPTOR M/M 3/8" BSP                           | 2   |
| 3        | 1015127     | ADAPTOR M/F 1/2" BSP / 3/8" BSP                | 2   |
| 4        | 1014089     | PRESSURE SWITCH 10-100BAR 1/4"                 | 1   |
| 5        | 1012018     | 3/8" DOWTY SEAL                                | 4   |
| 6        | 1011989     | TEE F/F/M 3/8" BSP                             | 1   |
| 7        | 1012098     | ADAPTOR M/M 1/2" BSP                           | 3   |
| 8        | 1012019     | 1/2" DOWTY SEAL                                | 4   |
| 9        | 1014074     | CHECK VALVE 1/2" BSP 0.5BAR                    | 1   |
| 10       | 1015133     | TEE M/M/F 1/2" BSP                             | 1   |
| 11       | 1010549     | 2-WAY BALL VALVE 3/8" BSP                      | 1   |
| 12       | 1015213     | 3/8" ADAPTOR FOR SENSOR                        | 1   |
| 13       | 1015215     | 3/8" M/F COMPACT ELBOW 90deg                   | 1   |
| 14       | 1015216     | 3/8" TEE M/F/F                                 | 1   |
| 15       | 1012034     | ADAPTOR M/M 3/8" / 1/2" BSP                    | 1   |
| 16       | 1018004     | 1/2" M/F COMPACT ELBOW 90deg                   | 2   |
| 17       | 1015289     | COUPLING 12l R1/2                              | 2   |
| 18       | 1014707     | PRESSURE GAUGE Ø100 0-100 BAR                  | 1   |
| 19       | 1015249     | 12mm S.S TUBE                                  | 1   |



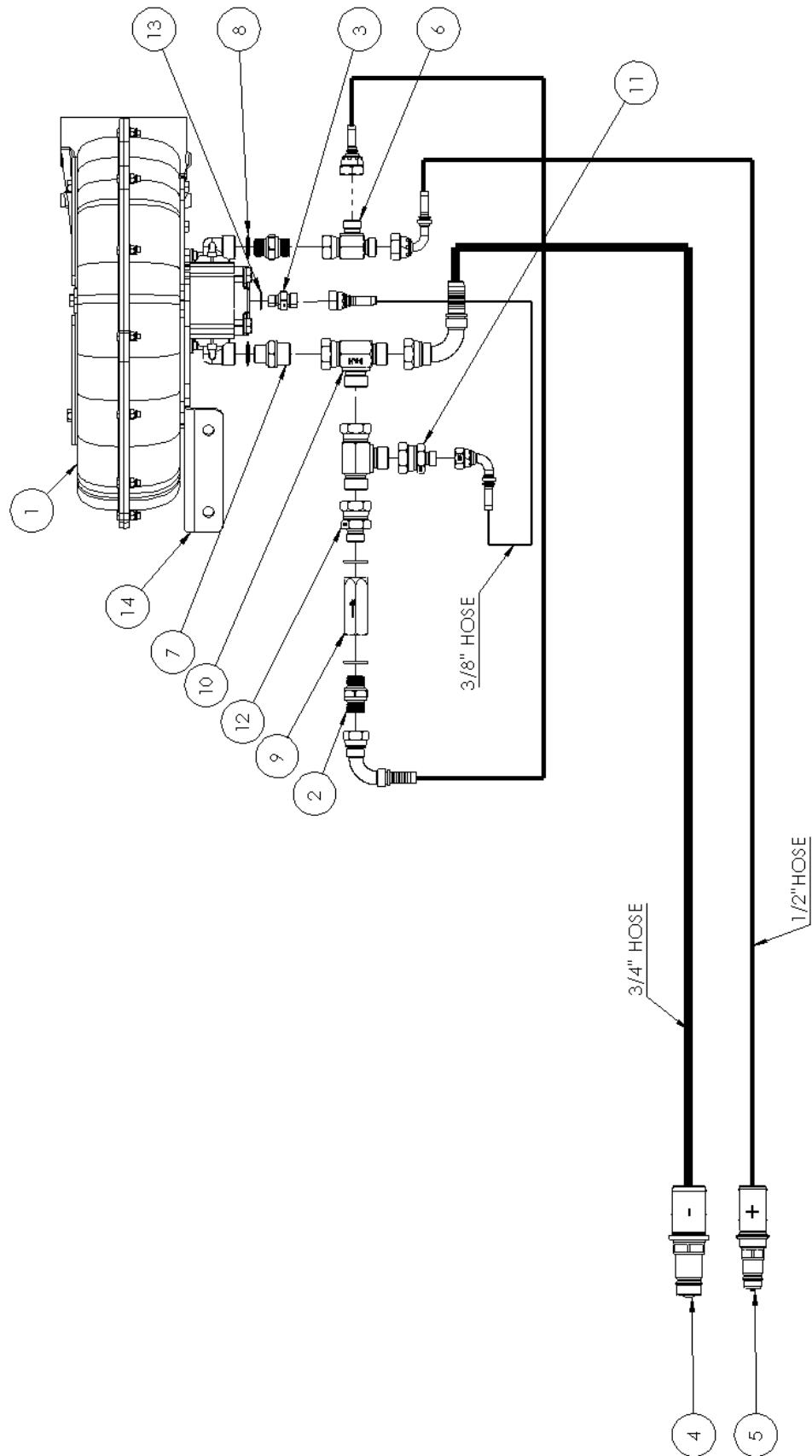
| ITEM NO. | PART NUMBER | DESCRIPTION | QTY |
|----------|-------------|-------------|-----|
|----------|-------------|-------------|-----|



|    |         |   |   |
|----|---------|---|---|
| 1  | 1010243 | HYDRAULIC CYLINDER ASSEMBLY Ø40/80 S600 | 4 |
| 2  | 1010266 | HYDRAULIC CYLINDER Ø32/20 S100          | ~ |
| 3  | 1015129 | CHASSIS LIFTING CYLINDER ASSEMBLY       | 2 |
| 4  | 1011992 | TEE M/M/M 3/8" BSP                      | 6 |
| 5  | 1011985 | BULKHEAD ADAPTOR M/M 3/8" BSP           | 4 |
| 6  | 1012037 | TEE M/M/F 3/8" BSP                      | 8 |
| 7  | 1014454 | COUPLER YELLOW + BG3                    | 1 |
| 8  | 1014455 | COUPLER YELLOW – BG3                    | 1 |
| 9  | 1014456 | COUPLER RED + BG3                       | 1 |
| 10 | 1014457 | COUPLER RED – BG3                       | 1 |
| 11 | 1014458 | COUPLER GREEN + BG3                     | 1 |
| 12 | 1014459 | COUPLER GREEN – BG3                     | 1 |



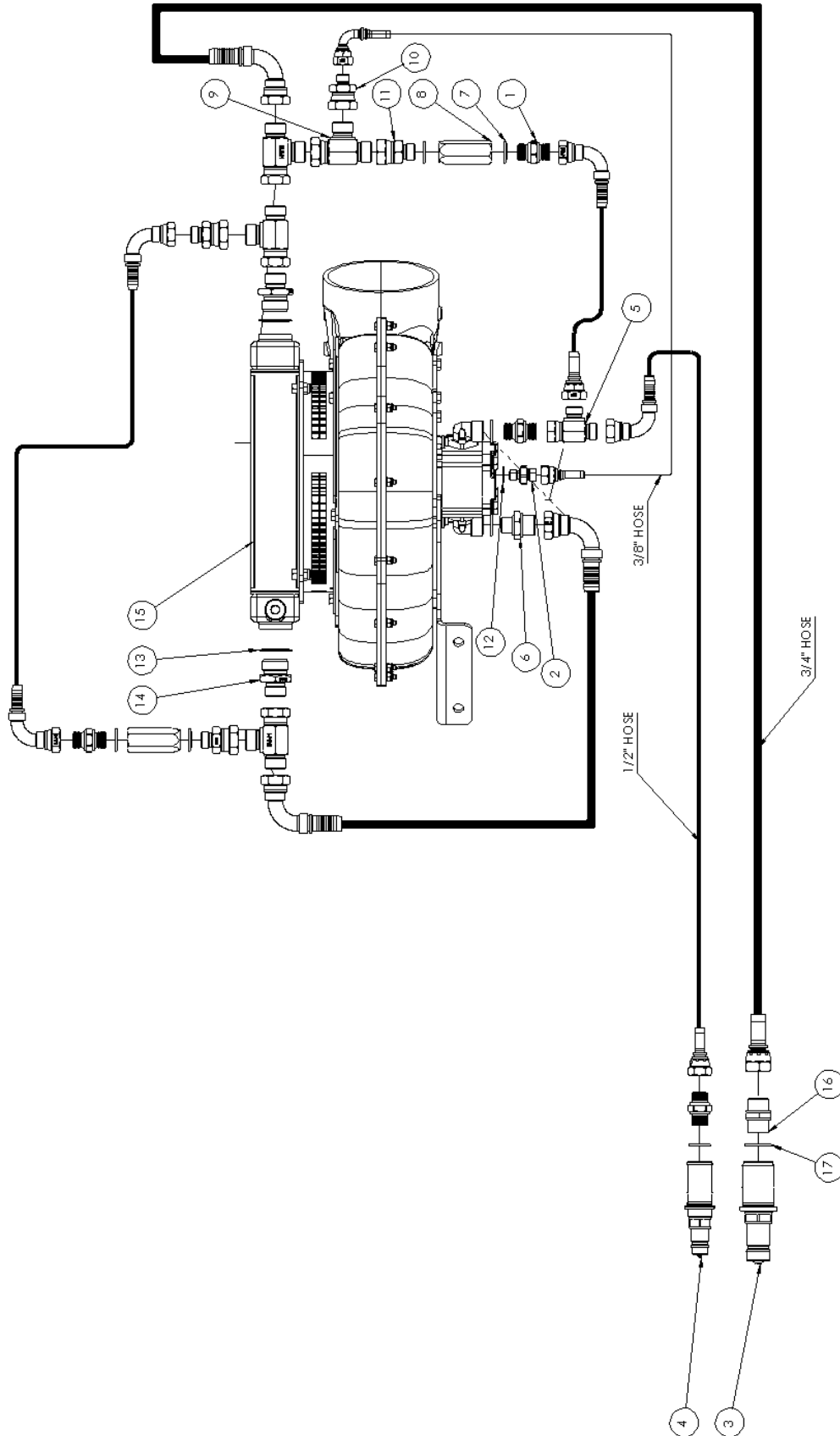
| ITEM NO. | PART NUMBER | DESCRIPTION                         | QTY |
|----------|-------------|-------------------------------------|-----|
| 1        | 1017605     | PRESSURE REGULATION BLOCK 10-100bar | 1   |
| 2        | 1011989     | T F/F/M 3/8" BSP                    | 1   |
| 3        | 1012098     | ADAPTOR M/M 1/2" BSP                | 2   |
| 4        | 1012019     | 1/2" Dowty Seal                     | 5   |
| 5        | 1012034     | ADAPTOR M/M 3/8"/1/2" BSP           | 3   |
| 6        | 1015289     | Coupling 12L R1/2                   | 2   |
| 7        | 1014707     | PRESSURE GAUGE Ø100 0-100bar        | 1   |
| 8        | 1015249     | 12mm S.S TUBE                       | 1   |
| 9        | 1018419     | PROFILE                             | 1   |
| 10       | 1011229     | HEX LOCK NUT M12 ZN                 | 2   |
| 11       | 1011541     | HEX BOLT M12x35 8.8 ZN              | 2   |
| 12       | 1011227     | HEX LOCK NUT M10 ZN                 | 2   |
| 13       | 1011067     | HEX BOLT M10x150 8.8 ZN             | 2   |



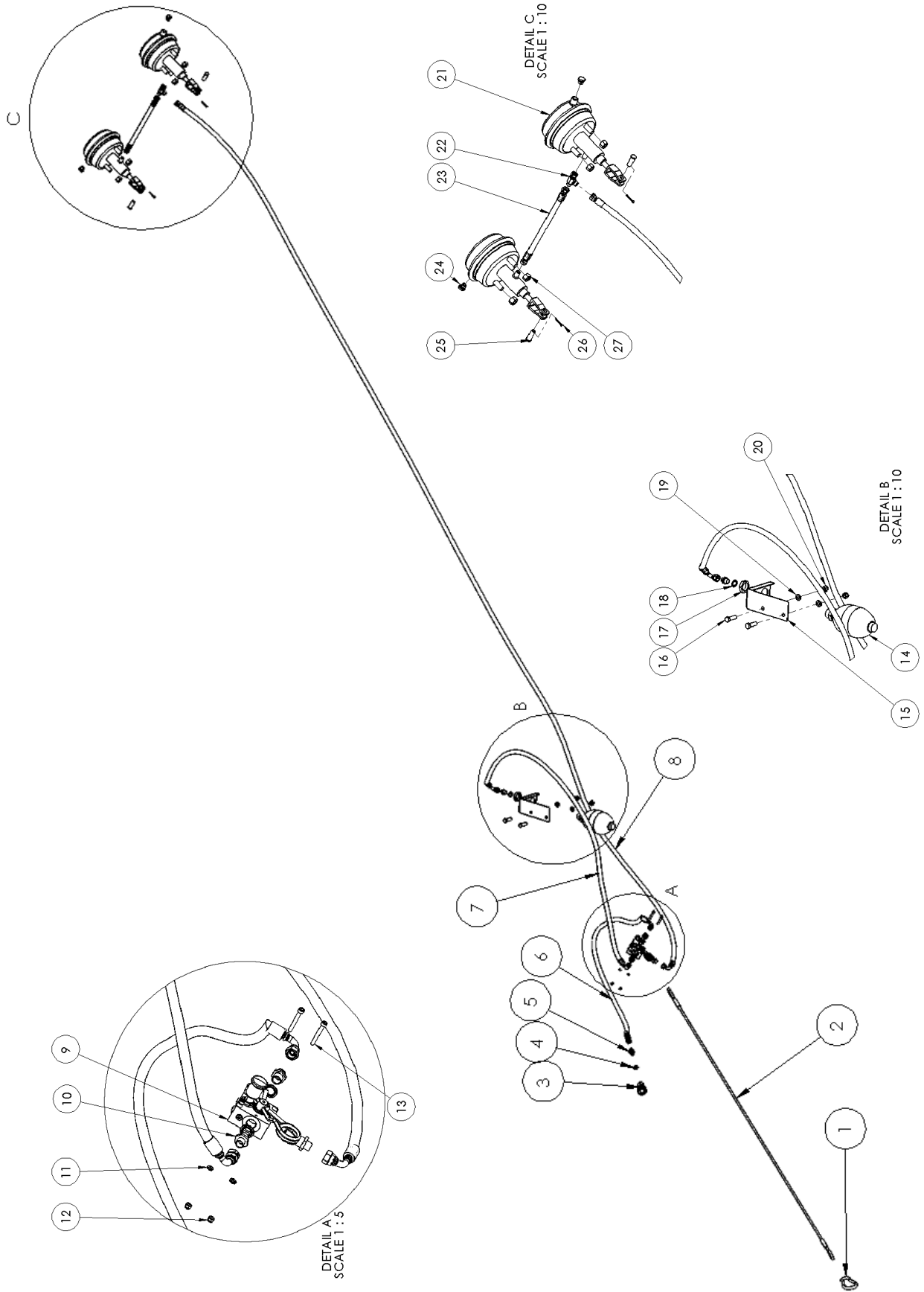
1015132

TURBINE HYDRAULIC KIT

| ITEM NO. | PART NUMBER | DESCRIPTION                     | QTY |
|----------|-------------|---------------------------------|-----|
| 1        | 1010415     | TURBINE ASSEMBLY                | 1   |
| 2        | 1012098     | ADAPTOR M/M 1/2" BSP            | 2   |
| 3        | 1010938     | ADAPTOR M/M 1/4" / 3/8" BSP     | 1   |
| 4        | 1014470     | COUPLER BLACK – BG4             | 1   |
| 5        | 1014472     | COUPLER GREY + BG3              | 1   |
| 6        | 1015133     | TEE M/M/F 1/2" BSP              | 1   |
| 7        | 1014547     | ADAPTOR M/M/ 1/2" / 3/4" BSP    | 1   |
| 8        | 1012019     | 1/2" DOWTY SEAL                 | 4   |
| 9        | 1014074     | CHECK VAVLE 1/2" BSP 0.5 BAR    | 1   |
| 10       | 1015139     | TEE M/F/M 3/4" BSP              | 2   |
| 11       | 1015137     | ADAPTOR 3/8" BSP x 3/4" BSP M/F | 1   |
| 12       | 1015142     | ADAPTOR 3/8" BSP x 1/2" BSP M/F | 1   |
| 13       | 1010939     | 1/4" DOWTY SEAL                 | 1   |
| 14       | 1010949     | TURBINE SUPPORT                 | 1   |

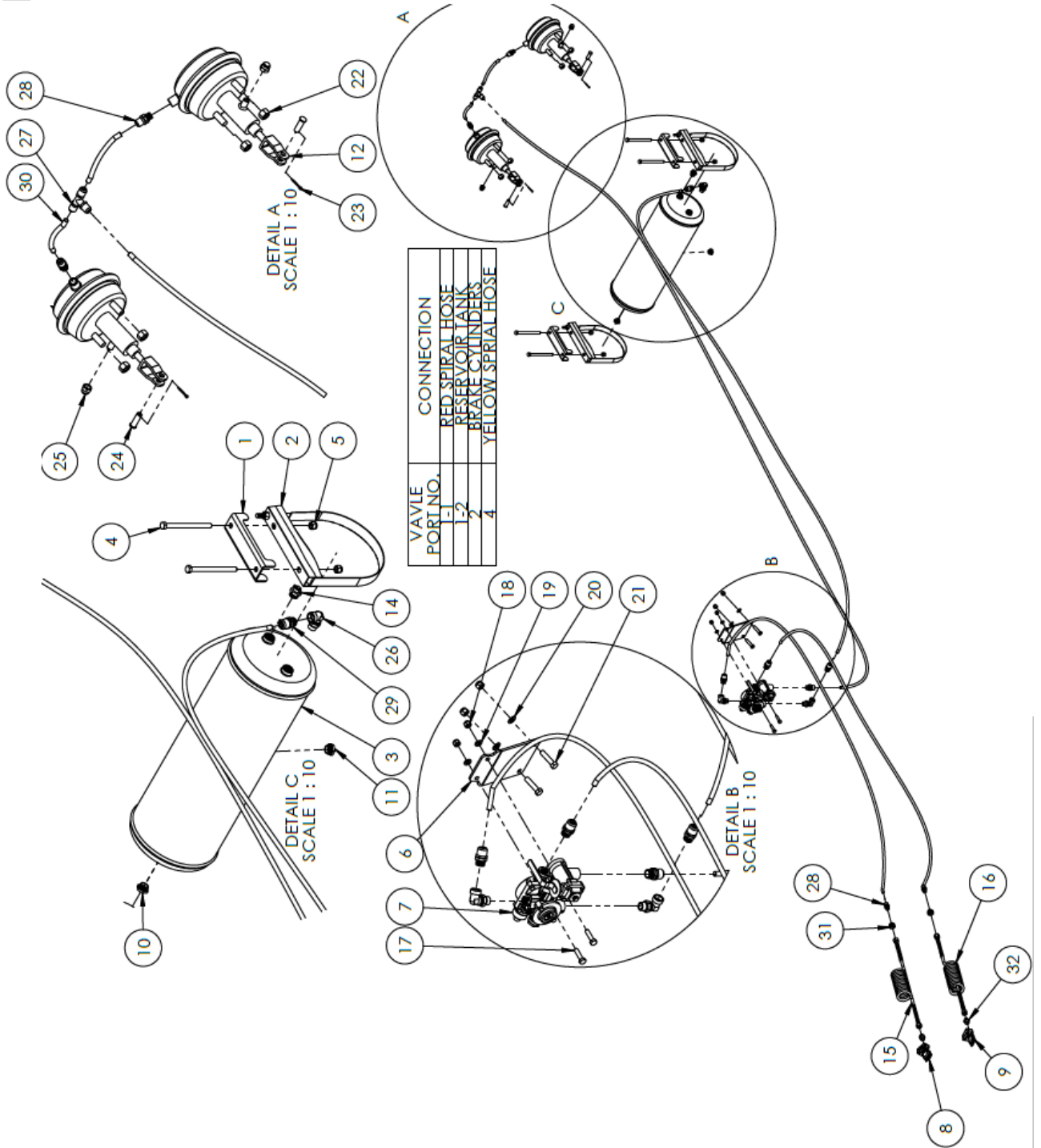


| ITEM NO. | PART NUMBER | DESCRIPTION                     | QTY |
|----------|-------------|---------------------------------|-----|
| 1        | 1012098     | ADAPTOR M/M 1/2" BSP            | 4   |
| 2        | 1010938     | ADAPTOR M/M 1/4"/3/8" BSP       | 1   |
| 3        | 1014470     | COUPLER BLACK – BG4             | 1   |
| 4        | 1014452     | COUPLER BLUE + BG3              | 1   |
| 5        | 1015133     | TEE M/M/F 1/2" BSP              | 1   |
| 6        | 1014547     | ADAPTOR M/M 1/2"/3/4" BSP       | 1   |
| 7        | 1012019     | 1/2" DOWTY SEAL                 | 7   |
| 8        | 1014074     | CHECK VALVE 1/2" BSP 0.5BAR     | 2   |
| 9        | 1015139     | TEE M/F/M 3/4" BSP              | 4   |
| 10       | 1015137     | ADAPTOR 3/8" BSP X 3/4" BSP M/F | 1   |
| 11       | 1015142     | ADAPTOR M/F 1/2" BSP/ 3/4" BSP  | 3   |
| 12       | 1010939     | 1/4" DOWTY SEAL                 | 1   |
| 13       | 1015707     | 1" DOWTY SEAL                   | 2   |
| 14       | 1015706     | ADAPTOR 1" BSP 3/4" BSP MM      | 2   |
| 15       | 1015680     | FAN AND OIL COOLER ASSEMBLY     | 1   |
| 16       | 1014548     | ADAPTOR M/M 3/4" BSP            | 1   |
| 17       | 1012020     | 3/4" DOWTY SEAL                 | 1   |

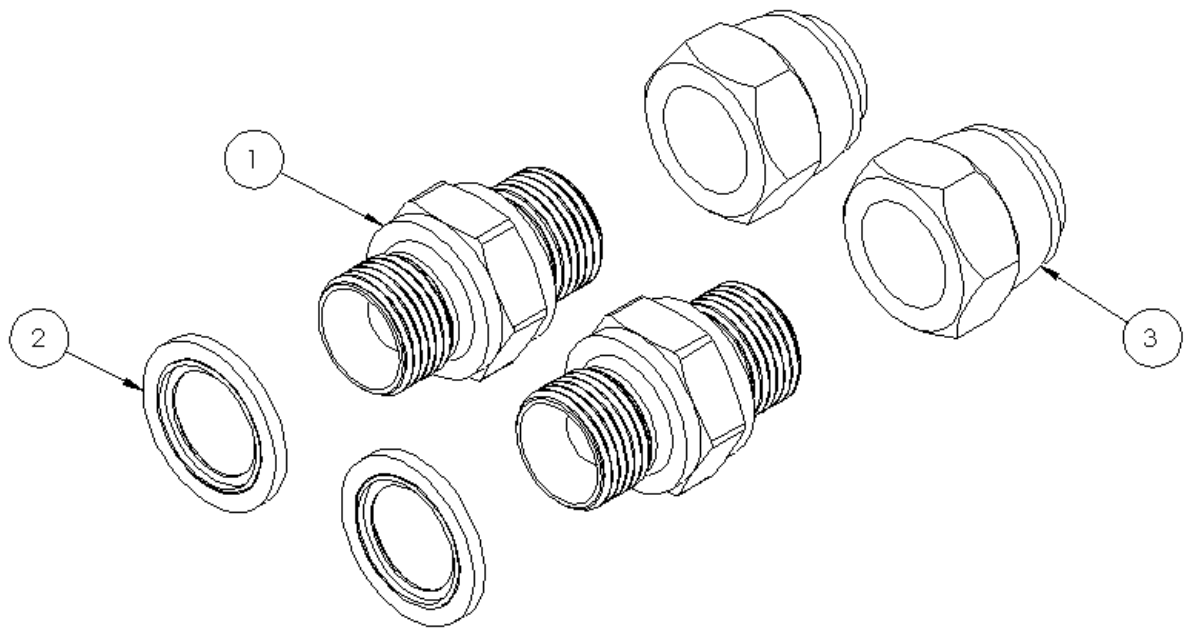


| ITEM NO. | PART NUMBER | DESCRIPTION  | QTY |
|----------|-------------|--|-----|
| 1        | 1015076     | CARABINER 137x12mm ZN                                    | 1   |
| 2        | 1015075     | STEEL CABLE 2100mm                                       | 1   |
| 3        | 1014476     | BRAKE QR COUPLER 3/8" BSP                                | 1   |
| 4        | 1012018     | 3/8" DOWTY SEAL  | 1   |
| 5        | 1012035     | ADAPTOR M/M 3/8" BSP                                     | 1   |
| 6        | 1015077     | HYDRAULIC BRAKE HOSE 3/8 BSP STRAIGHT – 3/8 BSP 90DEG    | 1   |
| 7        | 1015078     | HYDRAULIC BRAKE HOSE 3/8 BSP 90DEG – 3/8 BSP 90DEG       | 1   |
| 8        | 1015079     | HYDRAULIC BRAKE HOSE 3/8 BSP 90DEG – 3/8 BSP STRAIGHT    | 1   |
| 9        | 1010550     | EMERGENCY BRAKE VALVE                                    | 1   |
| 10       | 1015068     | ADPATOR M/M M18/ 3/8 BSP                                 | 4   |
| 11       | 1011446     | WASHER M6 A2   | 2   |
| 12       | 1011226     | HEX LOCK NUT M6 A2                                       | 2   |
| 13       | 1011619     | CAP SCREW M6x50 8.8 ZN                                   | 2   |
| 14       | 1010230     | ACCUMULATOR 0.7L 70BAR                                   | 1   |
| 15       | 1015069     | ACCUMULATOR MOUNTING PLATE                               | 1   |
| 16       | 1011076     | HEX BOLT M12x40 8.8 ZN                                   | 2   |
| 17       | 1010231     | HEX NUT M33x2mm  | 1   |
| 18       | 1015081     | M18 DOWTY SEAL   | 4   |
| 19       | 1011437     | WASHER M12 ZN  | 2   |
| 20       | 1011229     | HEX LOCK NUT M12 ZN                                      | 2   |
| 21       | 1014050     | DUAL BRAKE ACTUATOR                                      | 2   |
| 22       | 1012037     | TEE M/M/F 3/8 BSP  | 1   |
| 23       | 1015080     | HYDRAULIC BRAKE HOSE 3/8 BSP STRAIGHT – 3/8 BSP STRAIGHT | 1   |
| 24       | 1014072     | END PLUG WITH SEAL M16x1.5                               | 2   |
| 25       | 1013102     | PIN  | 2   |
| 26       | 1010497     | SPLIT PIN Ø4X28mm ZN                                     | 2   |
| 27       | 1011205     | HEX NUT M16 ZN   | 4   |

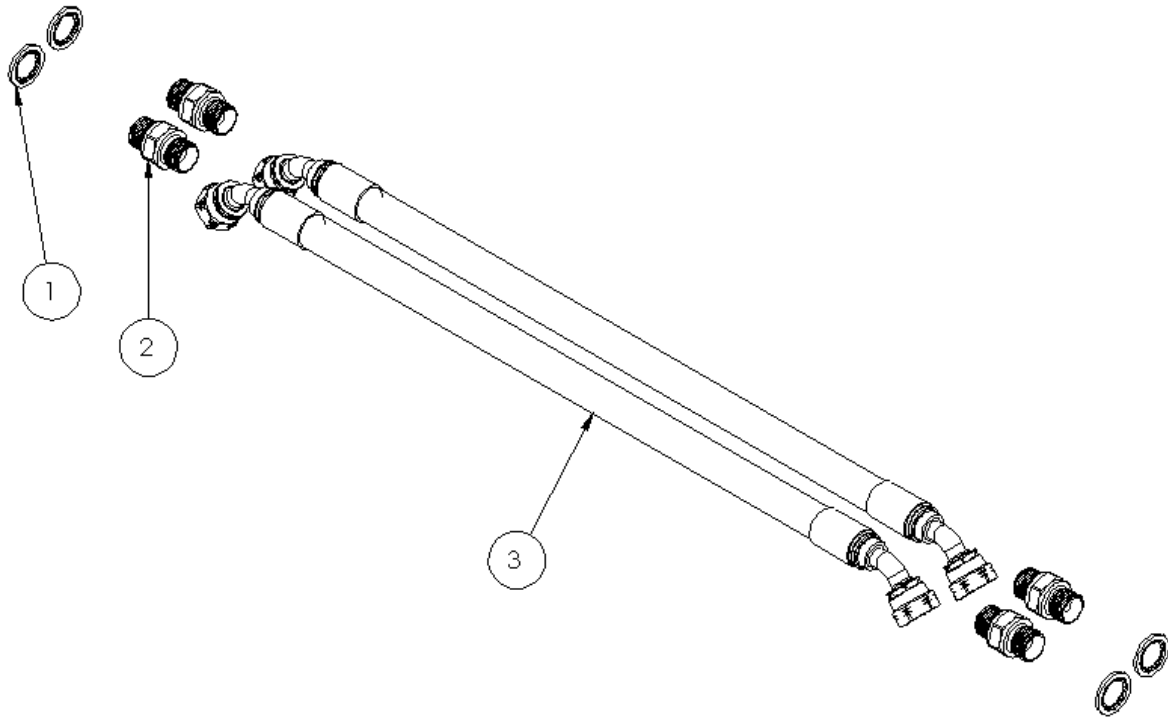




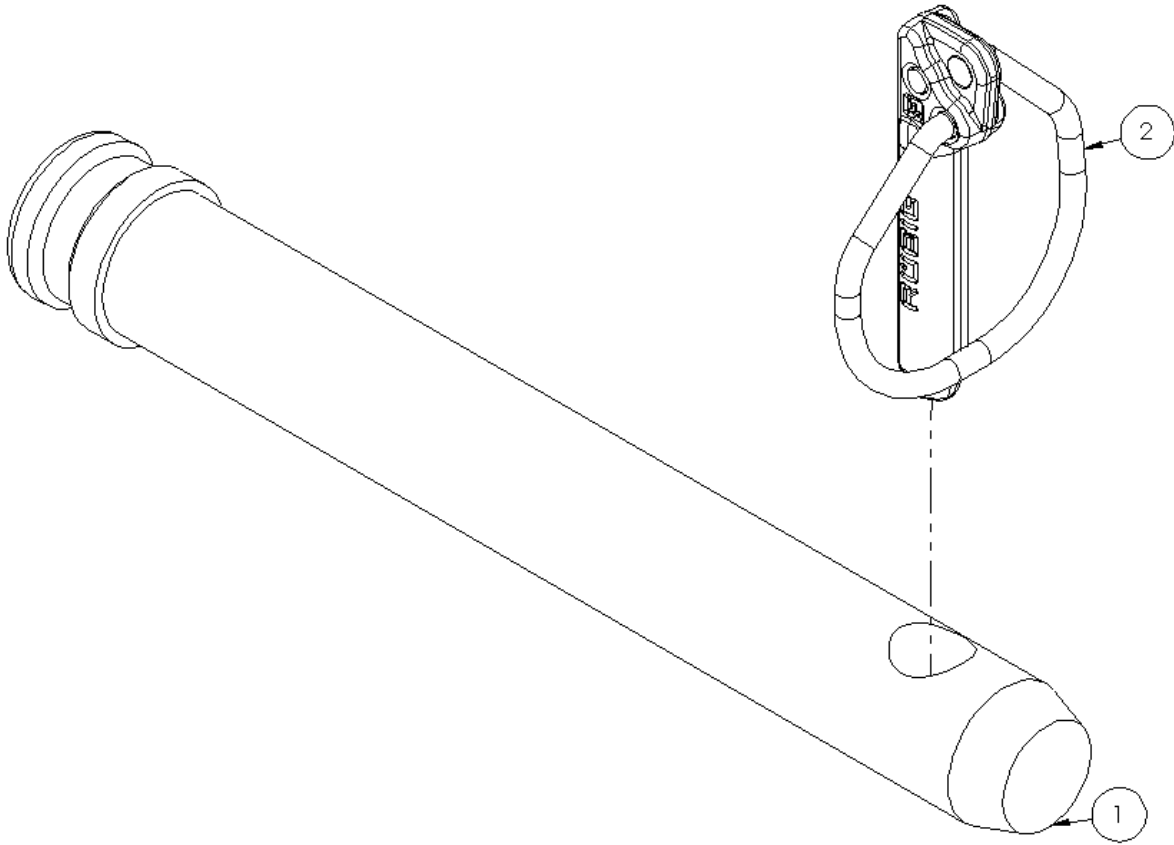
| ITEM NO. | PART NUMBER | DESCRIPTION  | QTY |
|----------|-------------|--|-----|
| 1        | 1015043     | AIR RESERVOIR MOUNT                                | 2   |
| 2        | 1015042     | AIR RESERVOIR SUPPORT ASSEMBLY                     | 2   |
| 3        | 1015033     | AIR RESERVOIR 30L                                  | 1   |
| 4        | 1011093     | HEX BOLT M12x150 8.8 ZN                            | 4   |
| 5        | 1011229     | HEX LOCK NUT M12 ZN                                | 6   |
| 6        | 1014646     | BRAKE VALVE SUPPORT BRACKET                        | 1   |
| 7        | 1015032     | PNEUMATIC BRAKE VALVE                              | 1   |
| 8        | 1015034     | RED COUPLING HEAD (EU STYLE)                       | 1   |
| 9        | 1015035     | YELLOW COUPLING HEAD (EU STYLE)                    | 1   |
| 10       | 1015046     | M22x1.5 PLUG                                       | 1   |
| 11       | 1015047     | M22x1.5 DRAIN VALVE                                | 1   |
| 12       | 1014050     | DUAL BRAKE ACTUATOR                                | 1   |
| 13       | 1014050     | DUAL BRAKE ACTUATOR                                | 1   |
| 14       | 1015055     | M22x1.5 TEST PORT                                  | 1   |
| 15       | 1015038     | PNEUMATIC SPIRAL TUBING M22 RED                    | 1   |
| 16       | 1015057     | PNEUMATIC SPIRAL TUBING M22 YELLOW                 | 1   |
| 17       | 1011051     | HEX BOLT M10x40 8.8 ZN                             | 2   |
| 18       | 1011227     | HEX LOCK NUT M10 ZN                                | 2   |
| 19       | 1011436     | WASHER M10 ZN                                      | 2   |
| 20       | 1011437     | WASHER M12 ZN                                      | 2   |
| 21       | 1011078     | HEX BOLT M12x50 8.8 ZN                             | 2   |
| 22       | 1011205     | HEX NUT M16 ZN                                     | 4   |
| 23       | 1010497     | SPLIT PIN Ø4x28mm ZN                               | 2   |
| 24       | 1013102     | PIN  | 2   |
| 25       | 1014375     | END CAP 3/8 BSP                                    | 2   |
| 26       | 1015097     | ELBOW ADAPTOR 90DEG M/F M22                        | 3   |
| 27       | 1015098     | EQUAL TEE 12x1.5mm QUICK CONNECTOR                 | 1   |
| 28       | 1015096     | STRAIGHT STUD ADAPTOR M16/12x1.5mm QUICK CONNECTOR | 4   |
| 29       | 1015095     | STRAIGHT STUD ADAPTOR M22/12x1.5mm QUICK CONNECTOR | 5   |
| 30       | 1015099     | PNEUMATIC NYLON BRAKE HOSE Ø12mm                   | 1   |
| 31       | 1015105     | BULKHEAD FITTING M22 M/M WITH F M16                | 2   |
| 32       | 1015148     | ADAPTOR M/M M18/ M22                               | 2   |



| ITEM NO. | PART NUMBER | DESCRIPTION          | QTY |
|----------|-------------|----------------------|-----|
| 1        | 1012035     | ADAPTOR M/M 3/8" BSP | 2   |
| 2        | 1012018     | 3/8" DOWTY SEAL      | 2   |
| 3        | 1014375     | END CAP 3/8" BSP     | 2   |



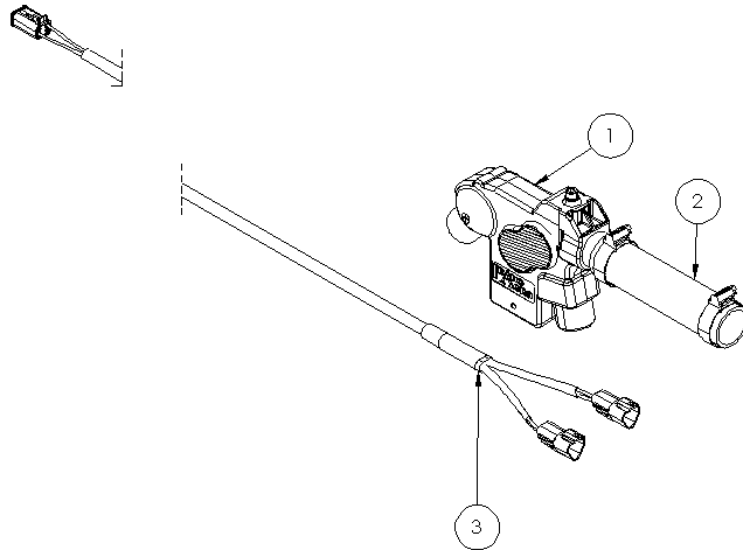
| ITEM NO. | PART NUMBER | DESCRIPTION                                    | QTY |
|----------|-------------|--|-----|
| 1        | 1012018     | 3/8" DOWTY SEAL                                | 4   |
| 2        | 1012035     | ADAPTOR M/M 3/8" BSP                           | 4   |
| 3        | 1010531     | HYDRAULIC HOSE 3/8" BSP 45DEG – 3/8" BSP 45DEG | 2   |



| ITEM NO. | PART NUMBER | DESCRIPTION     | QTY |
|----------|-------------|-----------------|-----|
| 1        | 1010693     | PIN Ø22x149mm   | 1   |
| 2        | 1010516     | LYNCHPIN Ø10x45 | 1   |

1018650

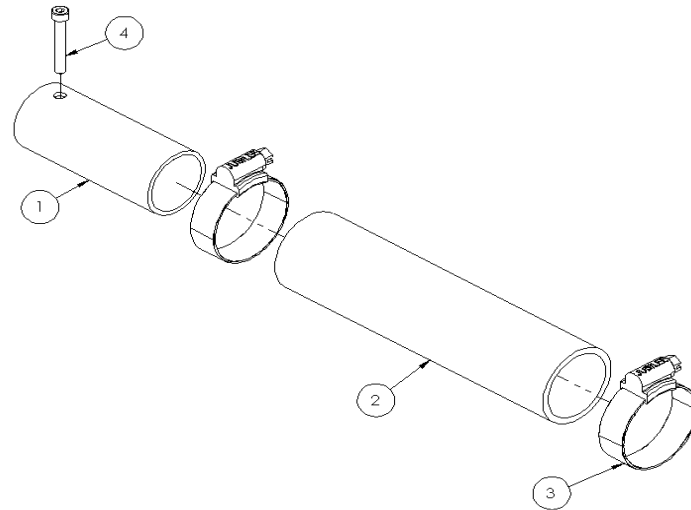
TRAMLINE KIT



| ITEM NO. | PART NUMBER | DESCRIPTION                 | QTY |
|----------|-------------|-----------------------------|-----|
| 1        | 1018265     | TRAMLINE VALVE ASSEMBLY     | 1   |
| 2        | 1018270     | TRAMLINE VALVE FIXATION KIT | 1   |
| 3        | 1018260     | TRAMLINE VALVE EXTENSION 7m | 1   |

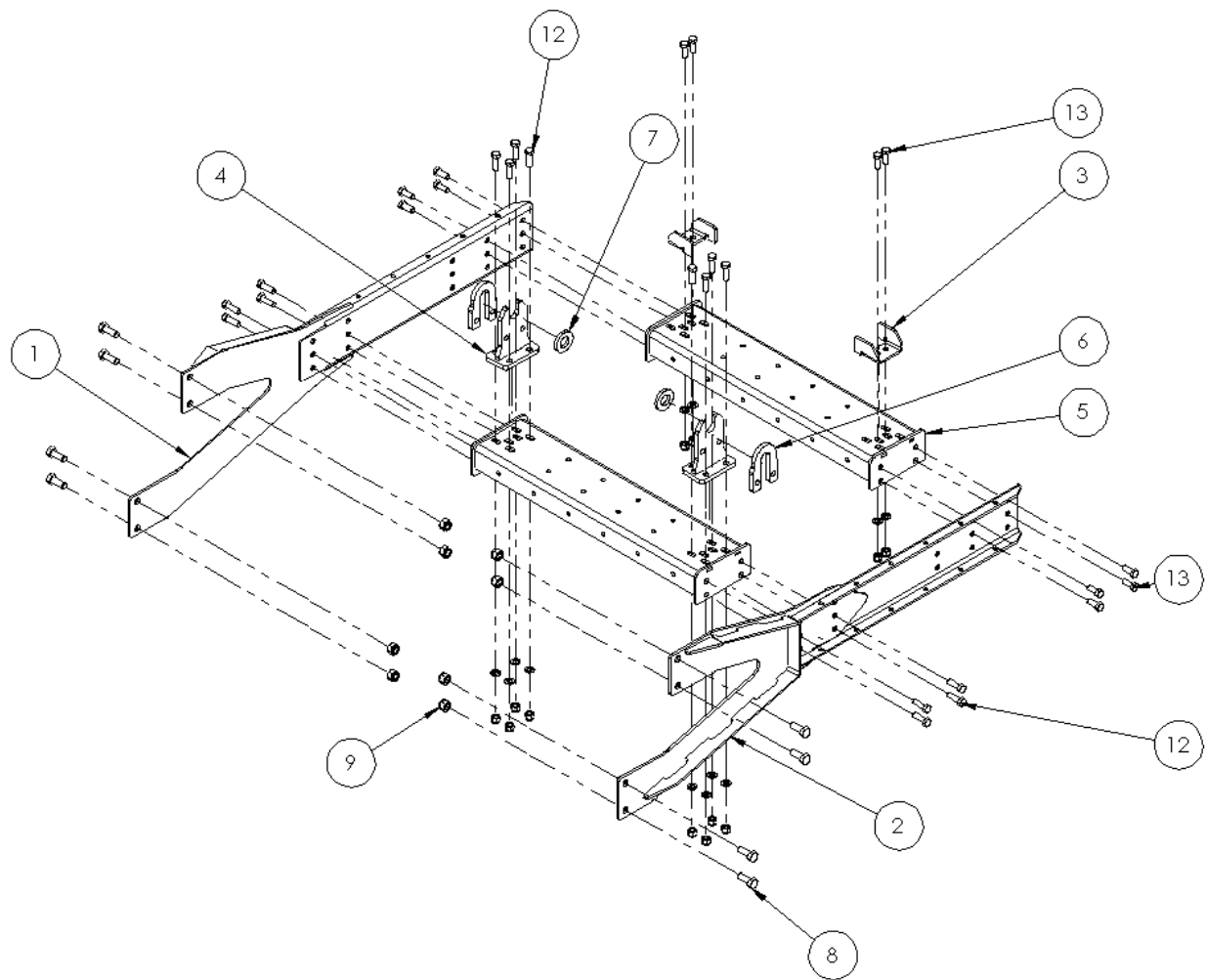
1018270

TRAMLINE VALVE FIXATION KIT

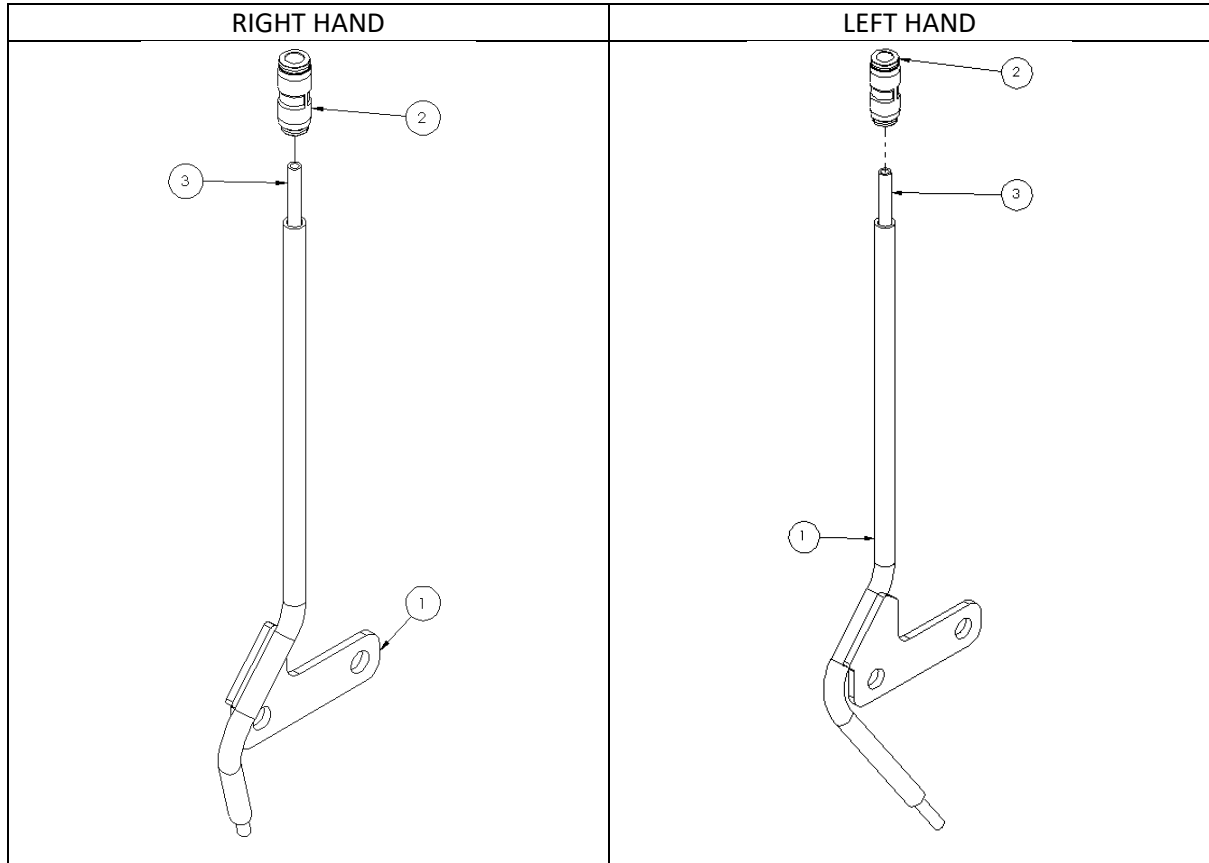


| ITEM NO. | PART NUMBER | DESCRIPTION                         | QTY |
|----------|-------------|-------------------------------------|-----|
| 1        | 1018269     | TUBE Ø32x2mm                        | 1   |
| 2        | 1018268     | HOSE Ø32x3mm PU (LENGTH CUT= 150mm) | 1   |
| 3        | 1014379     | HOSE CLAMP Ø30-45mm A2              | 2   |
| 4        | 1011764     | CAP SCREW M4X30 A2                  | 1   |

NOTE: EXTENSION 1018260 HAS REPLACED CABLES AND DEUTSCH SPLITTER (FROM 1/22)



| ITEM NO. | PART NUMBER | DESCRIPTION            | QTY |
|----------|-------------|------------------------|-----|
| 1        | 1014661     | SUPPORT RH             | 1   |
| 2        | 1014662     | SUPPORT LH             | 1   |
| 3        | 1014674     | CLAMP                  | 2   |
| 4        | 1014676     | SUPPORT                | 2   |
| 5        | 1014673     | SUPPORT                | 2   |
| 6        | 1014523     | LOCKING PLATE          | 2   |
| 7        | 1014610     | SPACER Ø38/72-10       | 2   |
| 8        | 1010379     | HEX BOLT M20x50 8.8 ZN | 8   |
| 9        | 1011235     | HEX LOCK NUT M20 ZN    | 8   |
| 10       | 1011233     | HEX LOCK NUT M16 ZN    | 28  |
| 11       | 1011439     | WASHER M16 ZN          | 28  |
| 12       | 1011103     | HEX BOLT M16x50 8.8 ZN | 16  |
| 13       | 1011276     | HEX BOLT M16x40 8.8 ZN | 12  |



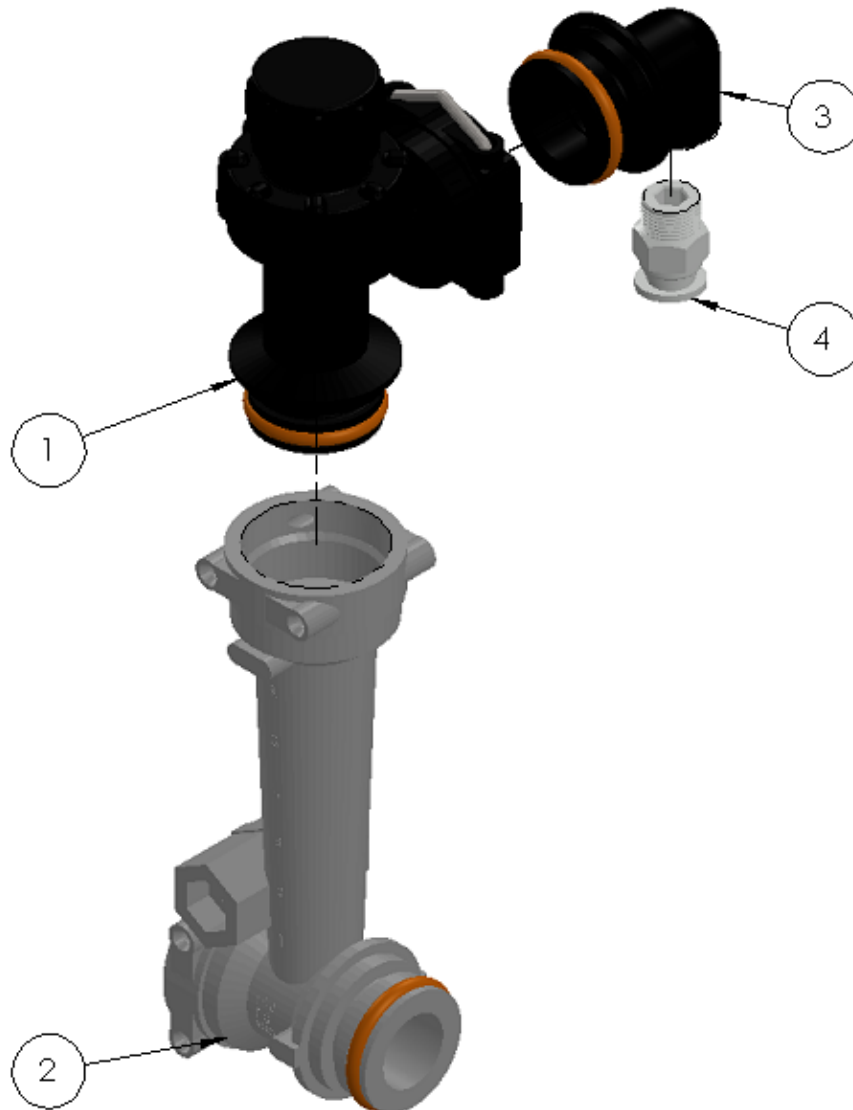
## RIGHT HAND

| ITEM NO. | PART NUMBER | DESCRIPTION                     | QTY |
|----------|-------------|---------------------------------|-----|
| 1        | 1017540     | LIQUID TUBE RH                  | 1   |
| 2        | 1014535     | PUSH-IN FITTING STRAIGHT Ø6-8mm | 1   |
| 3        | 1018171     | HOSE Ø6mm PU                    | 1   |

## LEFT HAND

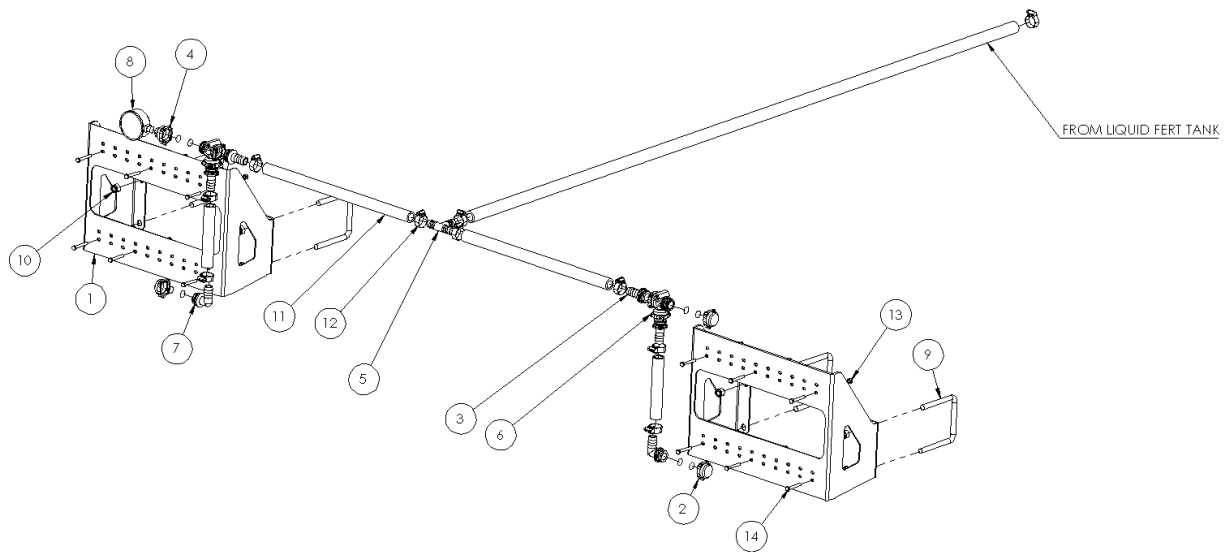
| ITEM NO. | PART NUMBER | DESCRIPTION                     | QTY |
|----------|-------------|---------------------------------|-----|
| 1        | 1017566     | LIQUID TUBE LH                  | 1   |
| 2        | 1014535     | PUSH-IN FITTING STRAIGHT Ø6-8mm | 1   |
| 3        | 1018176     | HOSE Ø6mm PU                    | 1   |



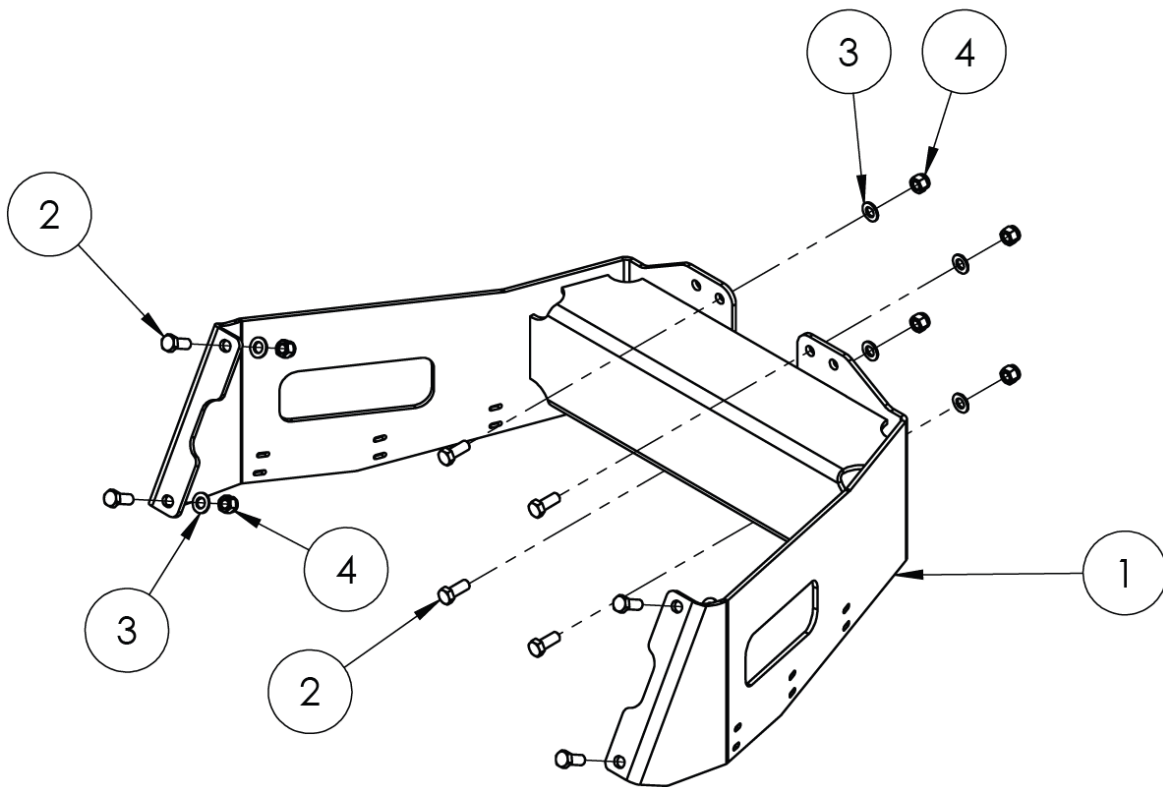


DOES NOT INCLUDE ORIFICE!  
SELECT SEPERATLY DEPENDING  
ON FLOW RATE

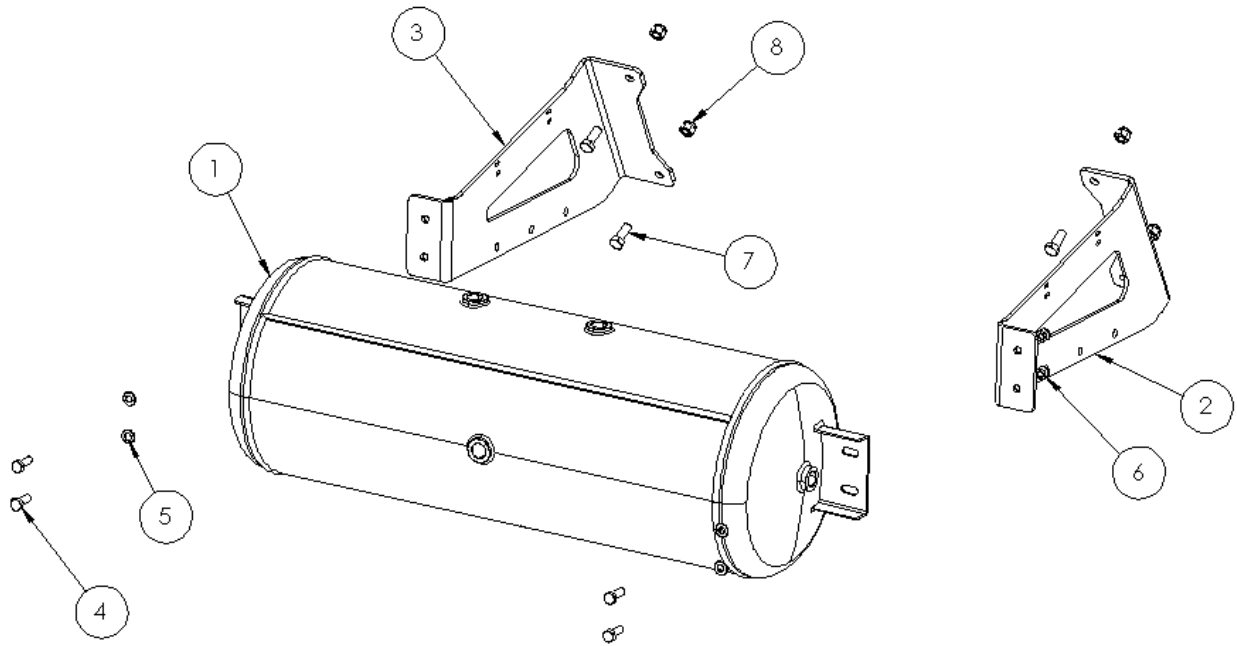
| ITEM NO. | PART NUMBER | DESCRIPTION                          | QTY |
|----------|-------------|--------------------------------------|-----|
| 1        | 1018283     | CHECK VAVLE M/F ORS                  | 1   |
| 2        | 1018282     | VISUAL INDICATOR KIT LOW FLOW        | 1   |
| 3        | 1018284     | ELBOW 90DEG M ORS TO 1/4" NPT-F      | 1   |
| 4        | 1018281     | PUSH-IN FITTING STRAING 8mm/G 1/4" M | 1   |



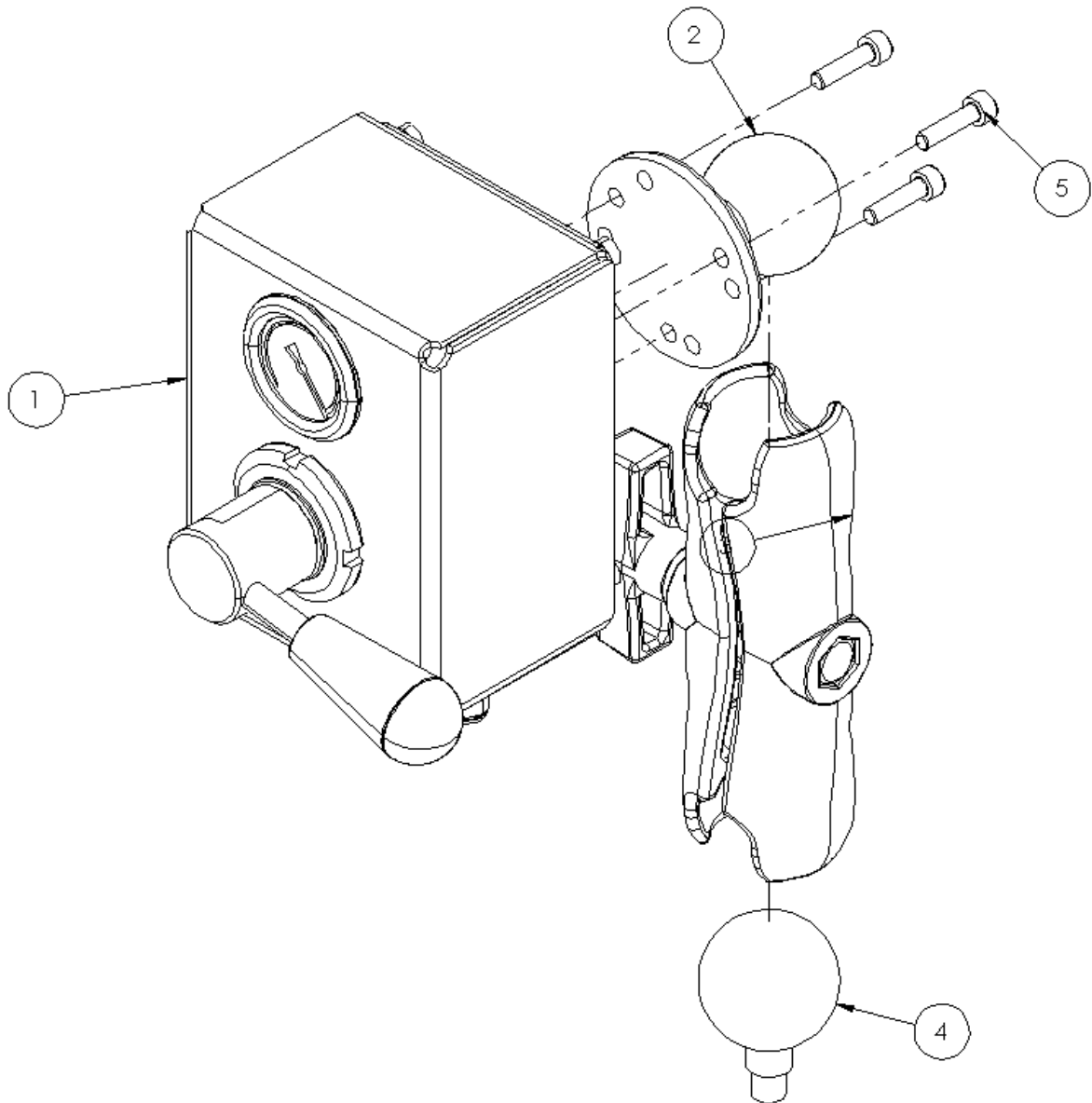
| ITEM NO. | PART NUMBER | DESCRIPTION                                | QTY |
|----------|-------------|--|-----|
| 1        | 1014616     | FLOW INDICATOR SUPPORT DOUBLE              | 2   |
| 2        | 1018286     | END CAP                                    | 3   |
| 3        | 1018289     | STRAIGHT 3/4" HOSE TAIL TO M ORS           | 4   |
| 4        | 1018291     | ADAPTOR ORS TO 1/4" NPT-F                  | 1   |
| 5        | 1018292     | TEE HOSE TAIL 3 X 3/4"                     | 1   |
| 6        | 1018287     | ORS TEE F/F/M                              | 2   |
| 7        | 1018288     | ELBOW 90DEG 3/4" HOSE TAIL TO M ORS        | 2   |
| 8        | 1014659     | PRESSURE GAUGE BOTTOM ENTRY 0-25BAR G 1/4" | 1   |
| 9        | 1010878     | U-BOLT 100x100 M12                         | 4   |
| 10       | 1011229     | HEX LOCK NUT M12 ZN                        | 8   |
| 11       | 1018293     | 3/4" HOSE                                  | 5   |
| 12       | 1014378     | HOSE CLAMP Ø23-35mm A2                     | 10  |
| 13       | 1011226     | HEX LOCK NUT M6 A2                         | 12  |
| 14       | 1018279     | HEX BOLT M6x45 8.8 A2                      | 12  |



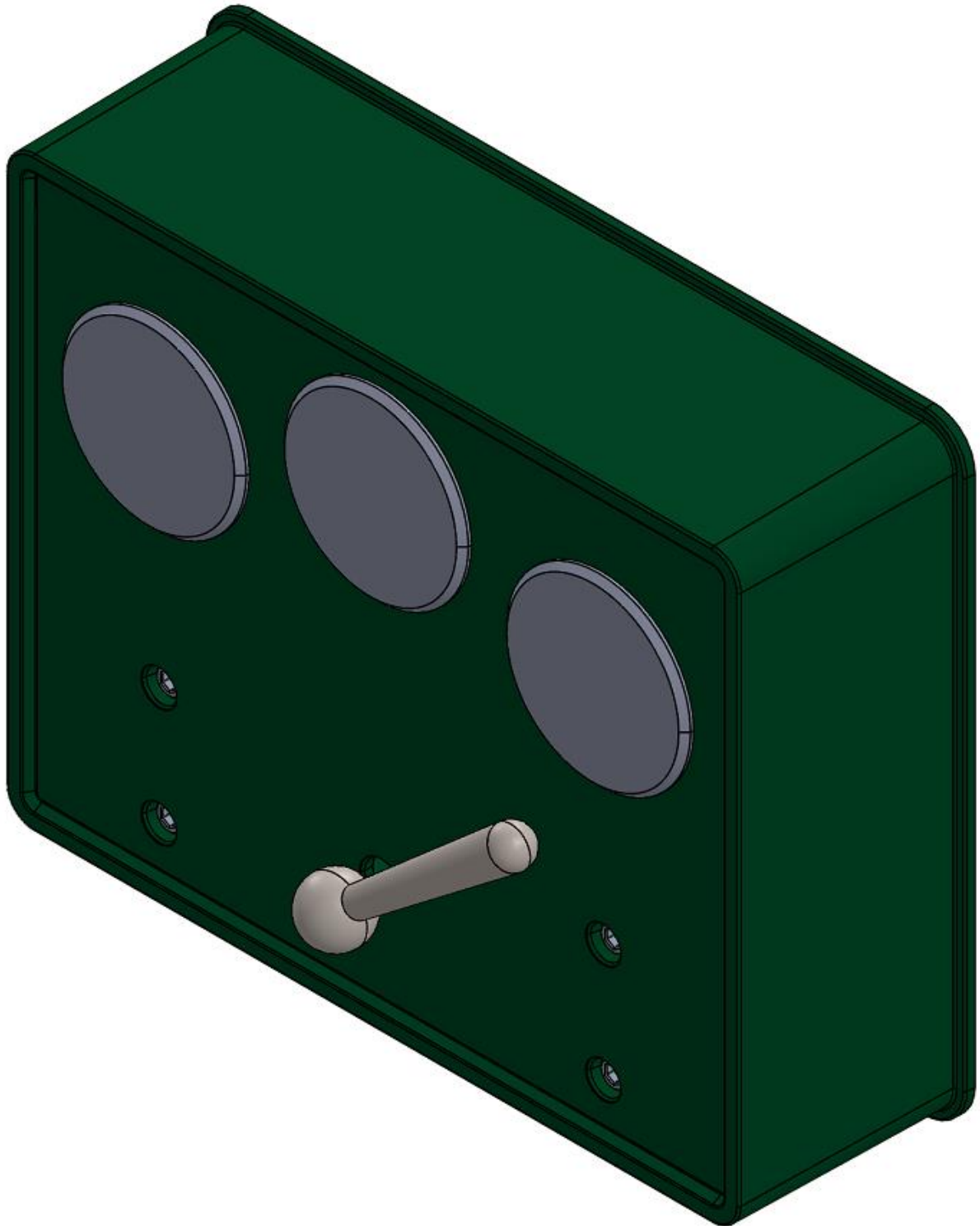
| ITEM NO. | PART NUMBER | DESCRIPTION             | QTY |
|----------|-------------|-------------------------|-----|
| 1        | 1014691     | PELLET SPREADER SUPPORT | 1   |
| 2        | 1011539     | HEX BOLT M12x30 8.8 ZN  | 8   |
| 3        | 1011437     | WASHER M12 ZN           | 8   |
| 4        | 1011229     | HEX LOCK NUT M12 ZN     | 8   |



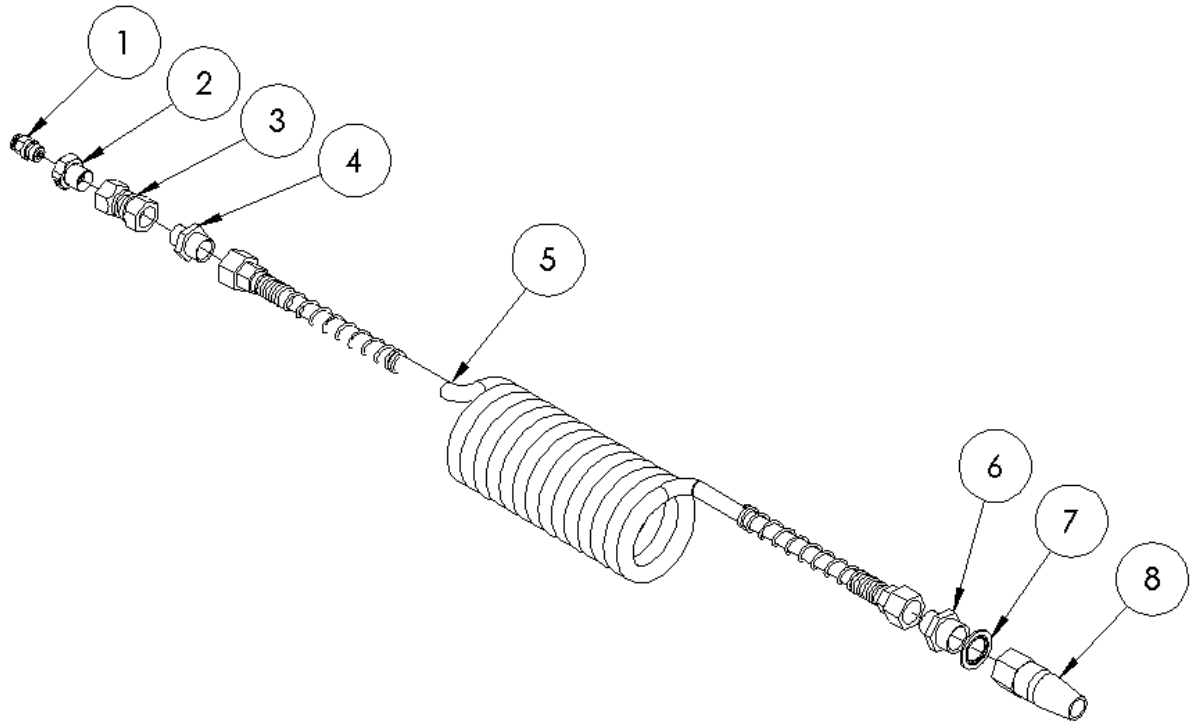
| ITEM NO. | PART NUMBER | DESCRIPTION            | QTY |
|----------|-------------|------------------------|-----|
| 1        | 1017066     | AIR RESERVOIR 60l      | 1   |
| 2        | 1017068     | SUPPORT BRACKET RH     | 1   |
| 3        | 1017069     | SUPPORT BRACKET LH     | 1   |
| 4        | 1010209     | HEX BOLT M10x30 8.8 ZN | 4   |
| 5        | 1011436     | WASHER M10 ZN          | 8   |
| 6        | 1011227     | HEX LOCK NUT M10 ZN    | 4   |
| 7        | 1011539     | HEX BOLT M12x30 8.8 ZN | 4   |
| 8        | 1011229     | HEX LOCK NUT M12 ZN    | 4   |



| ITEM NO. | PART NUMBER | DESCRIPTION                        | QTY |
|----------|-------------|------------------------------------|-----|
| 1        | 1017865     | CONTROL BOX SINGLE 0-8bar          | 1   |
| 2        | 1017247     | ROUND PLATE W BALL SIZE C          | 1   |
| 3        | 1017248     | DOUBLE SOCKET ARM SIZE C           | 1   |
| 4        | 1017249     | BALL ADAPTER W TREADED POST SIZE C | 1   |
| 5        | 1011594     | CAP SCREW M5x20 8.8 ZN             | 3   |

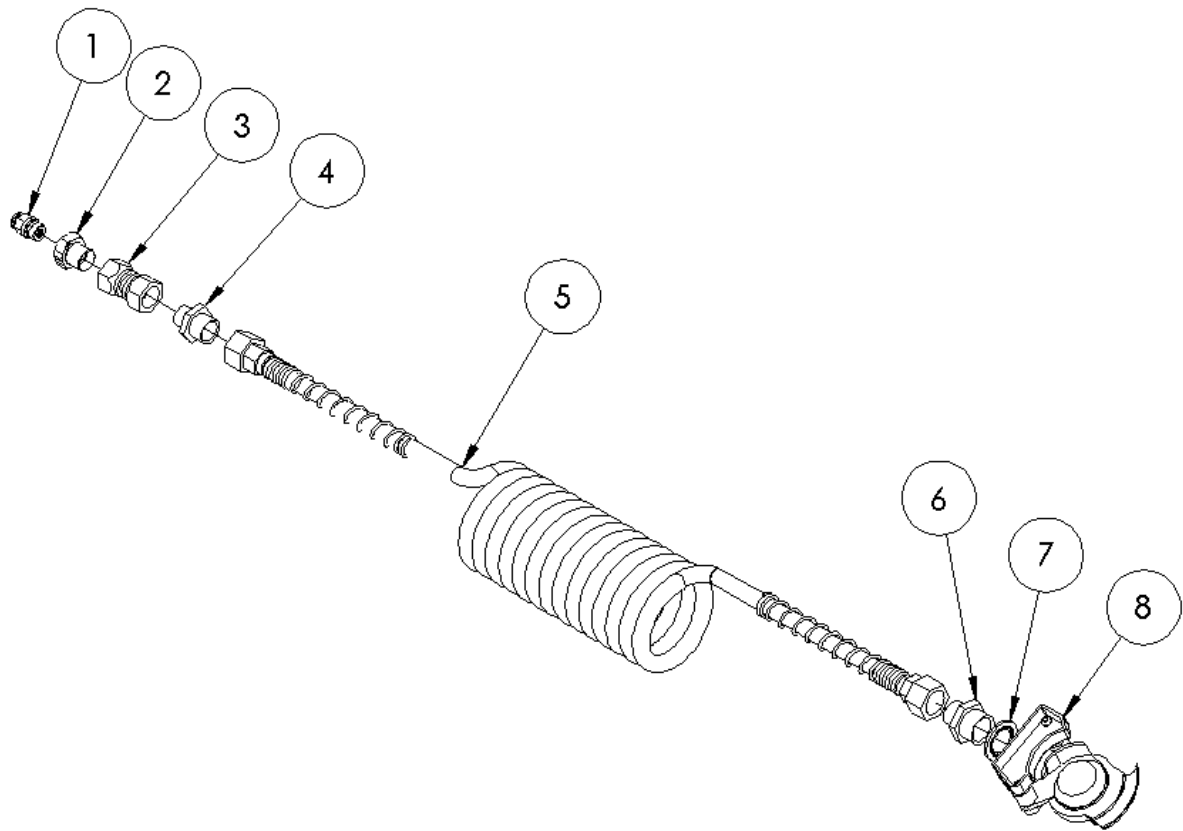


| ITEM NO. | PART NUMBER | DESCRIPTION            | QTY |
|----------|-------------|------------------------|-----|
| 1        | 1014602     | CLEANSWEEP CONTROL BOX | 1   |



| ITEM NO. | PART NUMBER | DESCRIPTION                       | QTY |
|----------|-------------|-----------------------------------|-----|
| 1        | 1015163     | PUSH FIT ADAPTOR 6mm / 1/4" BSP M | 1   |
| 2        | 1015162     | ADAPTOR M/F 3/8" BSP / 1/4" BSP   | 1   |
| 3        | 1011995     | ADAPTOR F/F 3/8" BSP              | 1   |
| 4        | 1015068     | ADAPTOR M/M M18/ 3/8 BSP          | 1   |
| 5        | 1015038     | PNEUMATIC SPIRAL TUBING M22 RED   | 1   |
| 6        | 1015148     | ADAPTOR M/M M18/M22               | 1   |
| 7        | 1015147     | M22 DOWTY SEAL                    | 1   |
| 8        | 1015037     | RED COUPLING HEAD MALE (UK STYLE) | 1   |

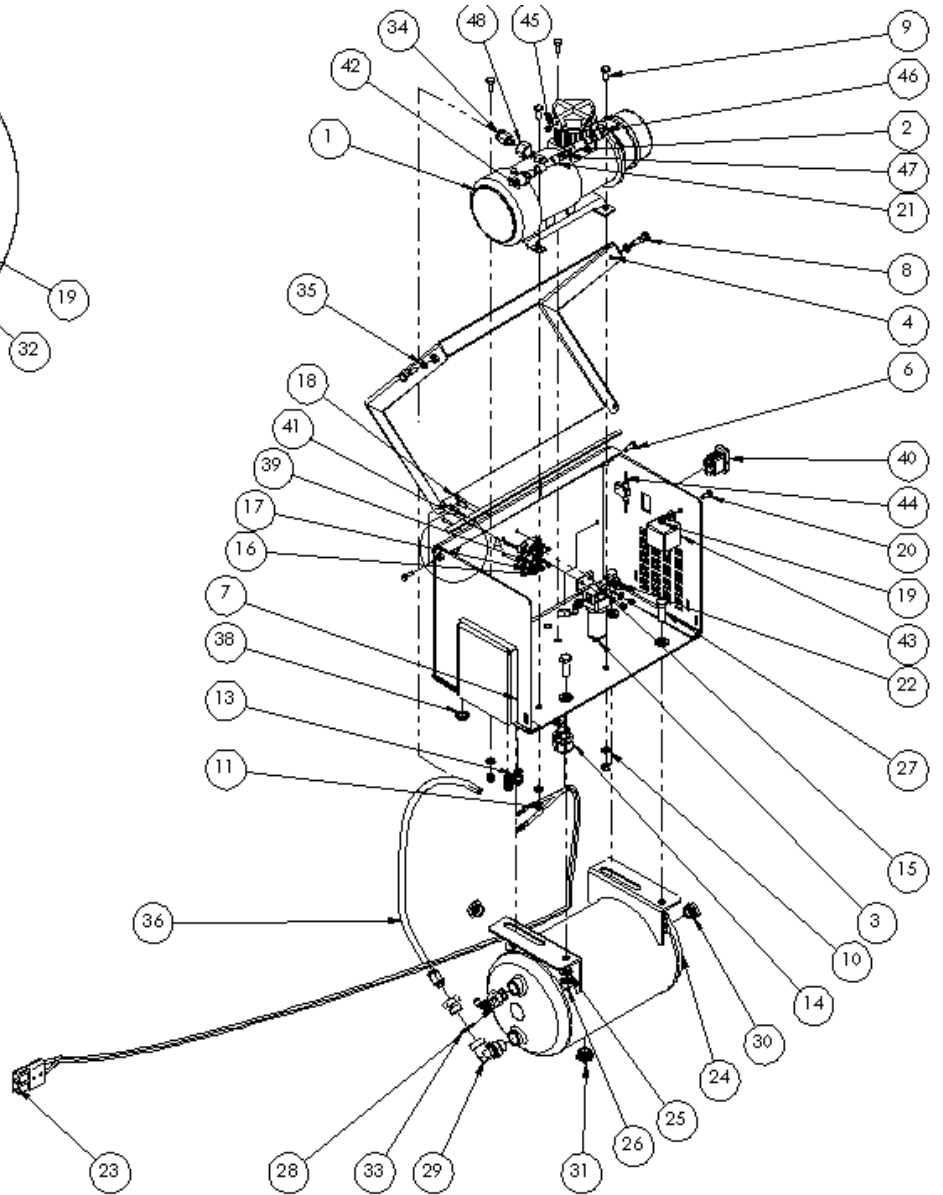
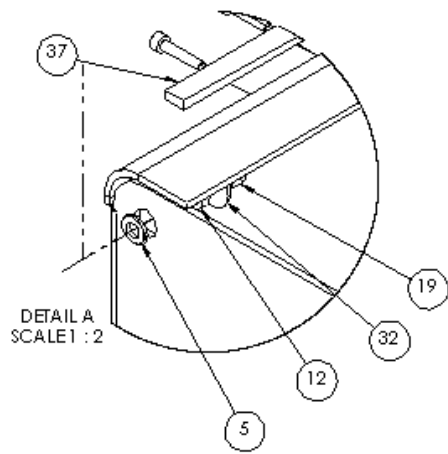
NOTE: 6mm PNEUMATIC HOSE (50m ROLL) - 1017891



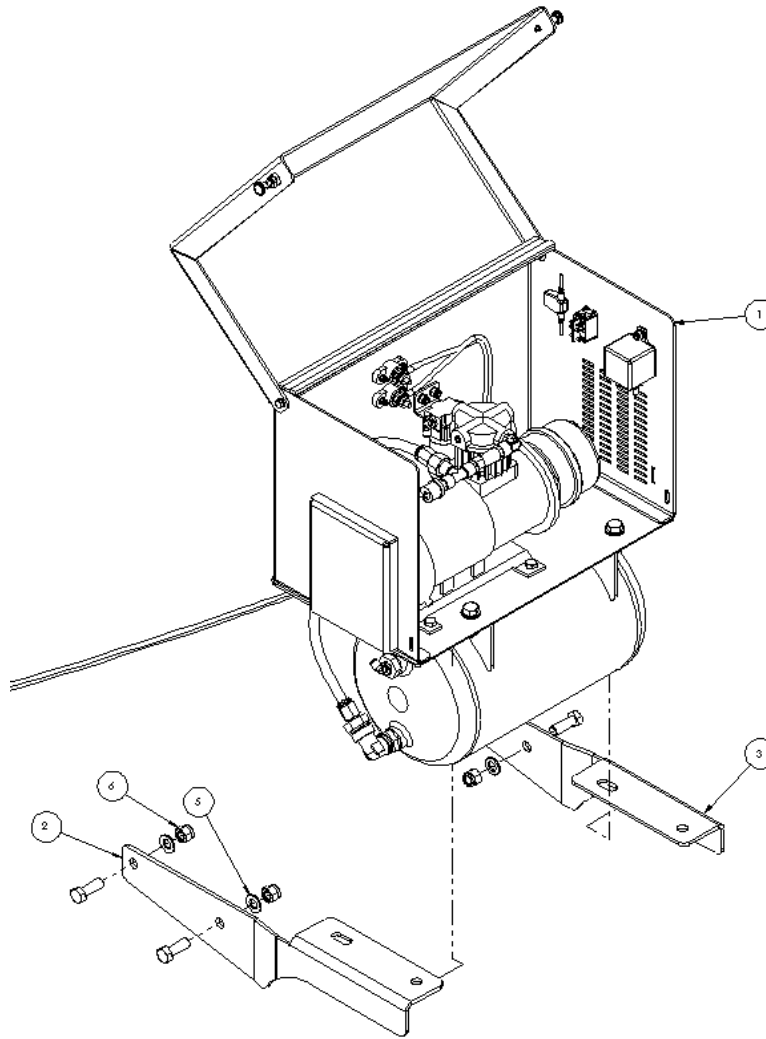
| ITEM NO. | PART NUMBER | DESCRIPTION                       | QTY |
|----------|-------------|-----------------------------------|-----|
| 1        | 1015163     | PUSH FIT ADAPTOR 6mm / 1/4" BSP M | 1   |
| 2        | 1015162     | ADAPTOR M/F 3/8" BSP / 1/4" BSP   | 1   |
| 3        | 1011995     | ADAPTOR F/F 3/8" BSP              | 1   |
| 4        | 1015068     | ADAPTOR M/M M18/ 3/8 BSP          | 1   |
| 5        | 1015038     | PNEUMATIC SPIRAL TUBING M22 RED   | 1   |
| 6        | 1015148     | ADAPTOR M/M M18/M22               | 1   |
| 7        | 1015147     | M22 DOWTY SEAL                    | 1   |
| 8        | 1015034     | RED COUPLING HEAD MALE (EU STYLE) | 1   |

NOTE: 6mm PNEUMATIC HOSE (50m ROLL) - 1017891














| ITEM NO. | PART NUMBER | DESCRIPTION                                 | QTY |
|----------|-------------|---|-----|
| 1        | 1014694     | COMPRESSOR 12V W FILTER                     | 1   |
| 2        | 1014695     | CHECK VALVE G1/4"                           | 1   |
| 3        | 1015158     | 1/4" PNEUMATIC FILTER, AUTOMATIC, 0.1 1Mpa  | 1   |
| 4        | 1015532     | DOOR ASSEMBLY                               | 1   |
| 5        | 1011434     | WASHER M6 ZN                                | 5   |
| 6        | 1011906     | HEX BOLT M6x20 8.8 ZN                       | 2   |
| 7        | 1015168     | ENCLOSURE ASSEMBLY                          | 1   |
| 8        | 1012339     | INDEX PLUNGER M8 Ø5 A2                      | 2   |
| 9        | 1011538     | HEX BOLT M8x20 8.8 ZN                       | 4   |
| 10       | 1011435     | WASHER M8 ZN                                | 4   |
| 11       | 1011194     | HEX LOCK NUT M8 ZN                          | 4   |
| 12       | 1015516     | BUSHING                                     | 2   |
| 13       | 1015173     | BULKHEAD PUSH-IN ADAPTOR Ø6mm/6mm           | 2   |
| 14       | 1015203     | M25x 1.5 CABLE GLAND                        | 1   |
| 15       | 1015517     | PLATE                                       | 1   |
| 16       | 1011221     | HEX LOCK NUT M4 ZN                          | 4   |
| 17       | 1011432     | WASHER M4 ZN                                | 4   |
| 18       | 1011583     | CAP SCREW M4x20 8.8 ZN                      | 4   |
| 19       | 1011225     | HEX LOCK NUT M6 ZN                          | 5   |
| 20       | 1011952     | HEX BOLT M6x16 8.8 ZN                       | 3   |
| 21       | 1015616     | 1/4" FEMALE EQUAL TEE NPT                   | 1   |
| 22       | 1015521     | PUSH IN ELBOW Ø6/ 1/4" BSP M                | 3   |
| 23       | 1015530     | 4M POWER LEAD                               | 1   |
| 24       | 1015143     | AIR RESERVOIR WITH BRACKETS 10 LITRE Ø206mm | 1   |
| 25       | 1011437     | WASHER M12 ZN                               | 8   |
| 26       | 1011229     | HEX LOCK NUT M12 ZN                         | 4   |
| 27       | 1011541     | HEX BOLT M12x35 8.8 ZN                      | 4   |
| 28       | 1015534     | ADAPTOR 1/4" – M22x150 F/M                  | 2   |
| 29       | 1015097     | ELBOW ADAPTOR 90DEG M/F M22                 | 1   |
| 30       | 1015046     | M22x1.5 PLUG                                | 2   |
| 31       | 1015047     | M22x1.5 DRAIN VALVE                         | 1   |
| 32       | 1011458     | WASHER LARGE M6 ZN                          | 2   |
| 33       | 1015147     | M22 DOWTY SEAL                              | 1   |
| 34       | 1015535     | PUSH-IN 12mm – 1/4" M                       | 2   |
| 35       | 1013221     | HEX NUT THIN M8 A2                          | 2   |
| 36       | 1015536     | 12mm DIAMETER PA HOSE                       | 1   |
| 37       | 1015537     | SELF-ADHESIVE SEAL 10X4mm                   | 1   |
| 38       | 1014578     | RUBBER GROMMET Ø20mm                        | 1   |
| 39       | 1015198     | DISTRIBUTION POST 1/4" RED                  | 1   |
| 40       | 1015538     | IP65 SWITCH ON-OFF                          | 1   |
| 41       | 1015199     | DISTRIBUTION POST 1/4" BLACK                | 1   |
| 42       | 1014696     | PRESSURE SWITCH 7.6/10bar G 1/4"            | 1   |
| 43       | 1015144     | SPST RELAY 12V/120A                         | 1   |
| 44       | 1015528     | IN-LINE FUSE HOLDER                         | 1   |
| 45       | 1015615     | 1/8 PLUG FITTING NPT                        | 1   |
| 46       | 1015614     | 1/4 NPT – 1/4 NPT M/F 90DEGREE ELBOW        | 1   |
| 47       | 1015617     | STRAIGHT NPT 1/4" TO 1/4" M/M ADAPTOR       | 1   |
| 48       | 1015618     | ADAPTOR NPT 1/4" M TO G 1/4" F              | 1   |






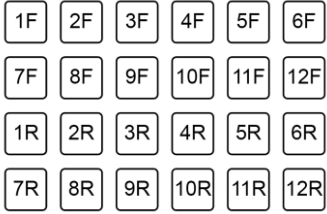


| ITEM NO. | PART NUMBER | DESCRIPTION                  | QTY |
|----------|-------------|------------------------------|-----|
| 1        | 1015159     | COMPRESSOR AND TANK ASSEMBLY | 1   |
| 2        | 1015170     | COMPRESSOR MOUNT LH          | 1   |
| 3        | 1015171     | COMPRESSOR MOUNT RH          | 1   |
| 4        | 1011541     | HEX BOLT M12x35 8.8 ZN       | 4   |
| 5        | 1011437     | WASHER M12 ZN                | 4   |
| 6        | 1011229     | HEX LOCK NIT M12 ZN          | 4   |

STICKERS

|   |         |   |
|---|---------|---|
|    | 1012257 | OPERATORS MANUAL WARNING STICKER          |
|    | 1012258 | HITCH CRUSH AREA WARNING STICKER          |
|    | 1012259 | ACCUMULATOR WARNING STICKER               |
|    | 1012260 | HYDRAULIC LEAK WARNING STICKER            |
|   | 1012261 | OVERHEAD LINES WARNING STICKER            |
|  | 1012262 | UNFOLDING PARTS WARNING STICKER           |
|  | 1012263 | FOOT CRUSH WARNING STICKER                |
|  | 1012264 | CRASH RISK AREA WARNING STICKER           |
|  | 1012265 | FALLING FROM MOVING PARTS WARNING STICKER |
|  | 1012266 | PASSENGERS WARNING STICKER                |

STICKERS

|   |         |   |
|---|---------|---|
|    | 1012267 | LOCKING DEVICE WARNING STICKER            |
|    | 1012268 | MOTOR STOP AND REMOVE KEY WARNING STICKER |
|    | 1012351 | MADE IN BRITAIN COLOUR STICKER            |
|    | 1012352 | MADE IN BRITAIN BLACK STICKER             |
|   | 1014360 | DSX TANK WRAP SET                         |
|  | 1012441 | WET FERT STICKER SET                      |
| <p><b>DSX 60-16</b></p>   | 1012345 | DSX 60-16 SIZE CODE                       |
| <p><b>DSX 60-18</b></p>   | 1012346 | DSX 60-18 SIZE CODE                       |
| <p><b>DSX 60-20</b></p>   | 1012347 | DSX 60-20 SIZE CODE                       |
| <p><b>DSX 60-25</b></p>   | 1012425 | DSX 60-25 SIZE CODE                       |
| <p><b>DSX 75-16</b></p>   | 1012426 | DSX 75-16 SIZE CODE                       |
| <p><b>DSX 75-18</b></p>   | 1012348 | DSX 75-18 SIZE CODE                       |
| <p><b>DSX 75-20</b></p>   | 1012427 | DSX 75-20 SIZE CODE                       |
| <p><b>DSX 75-25</b></p>   | 1012428 | DSX 75-25 SIZE CODE                       |
| <p><b>DSX 40-16</b></p>   | 1012349 | DSX 40-16 SIZE CODE                       |
| <p><b>DSX 40-18</b></p>   | 1012350 | DSX 40-18 SIZE CODE                       |
| <p><b>DSX 40-20</b></p>   | 1012423 | DSX 40-20 SIZE CODE                       |
| <p><b>DSX 40-25</b></p>   | 1012424 | DSX 40-25 SIZE CODE                       |
| <p><b>DSX 80-18</b></p>   | 1012446 | DSX 80-18 SIZE CODE                       |
| <p><b>DSX 80-20</b></p>   | 1012429 | DSX 80-20 SIZE CODE                       |
| <p><b>DSX 80-25</b></p>   | 1012430 | DSX 80-25 SIZE CODE                       |
| <p><b>DSX 64-18</b></p>   | 1012445 | DSX 64-18 SIZE CODE                       |