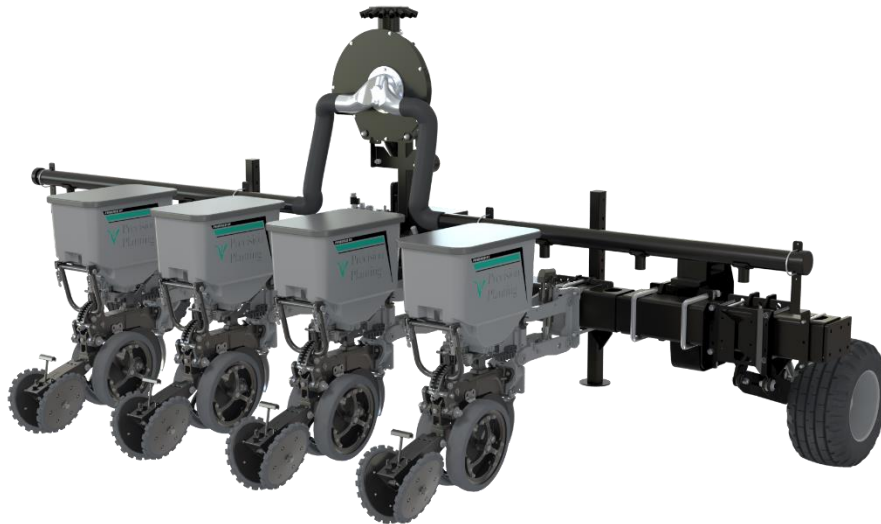


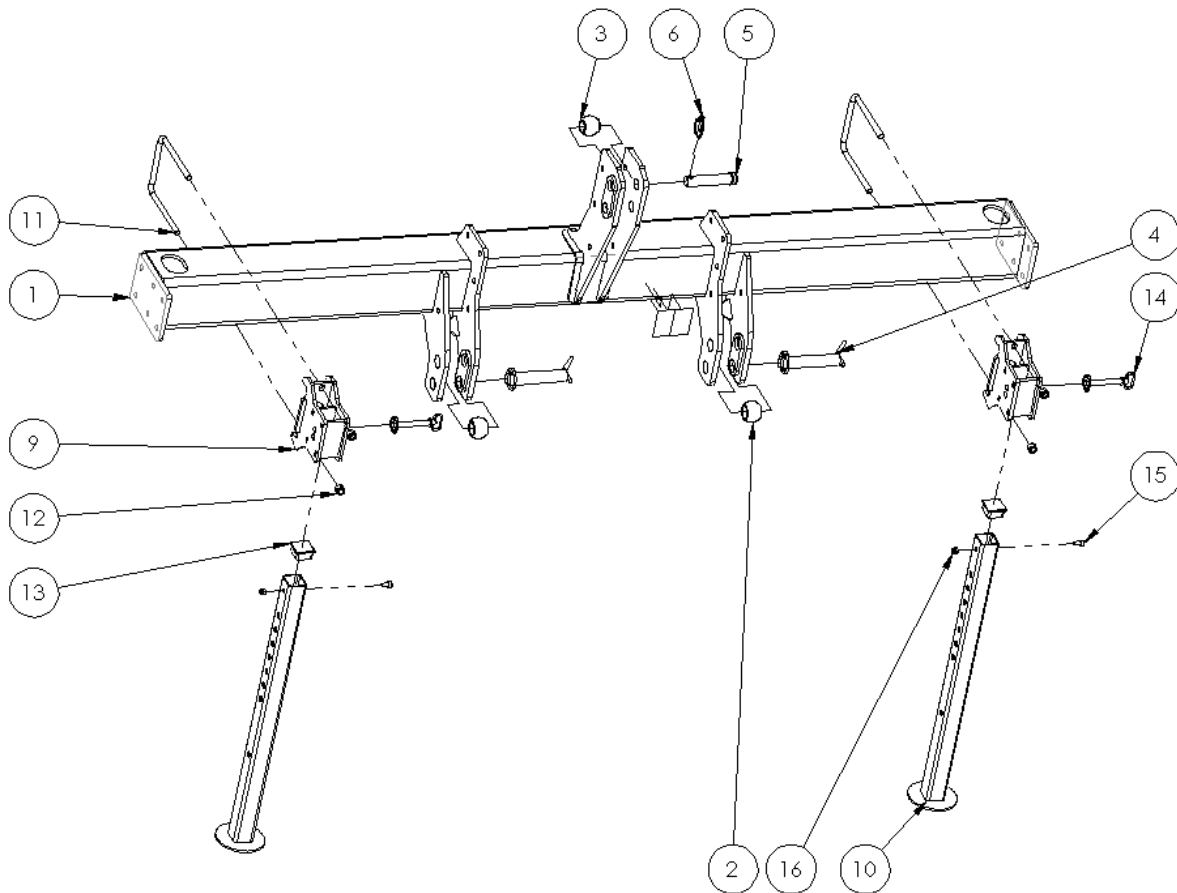
PPX

RIGID PRECISION PLANTER (3M) SPARE PART LIST

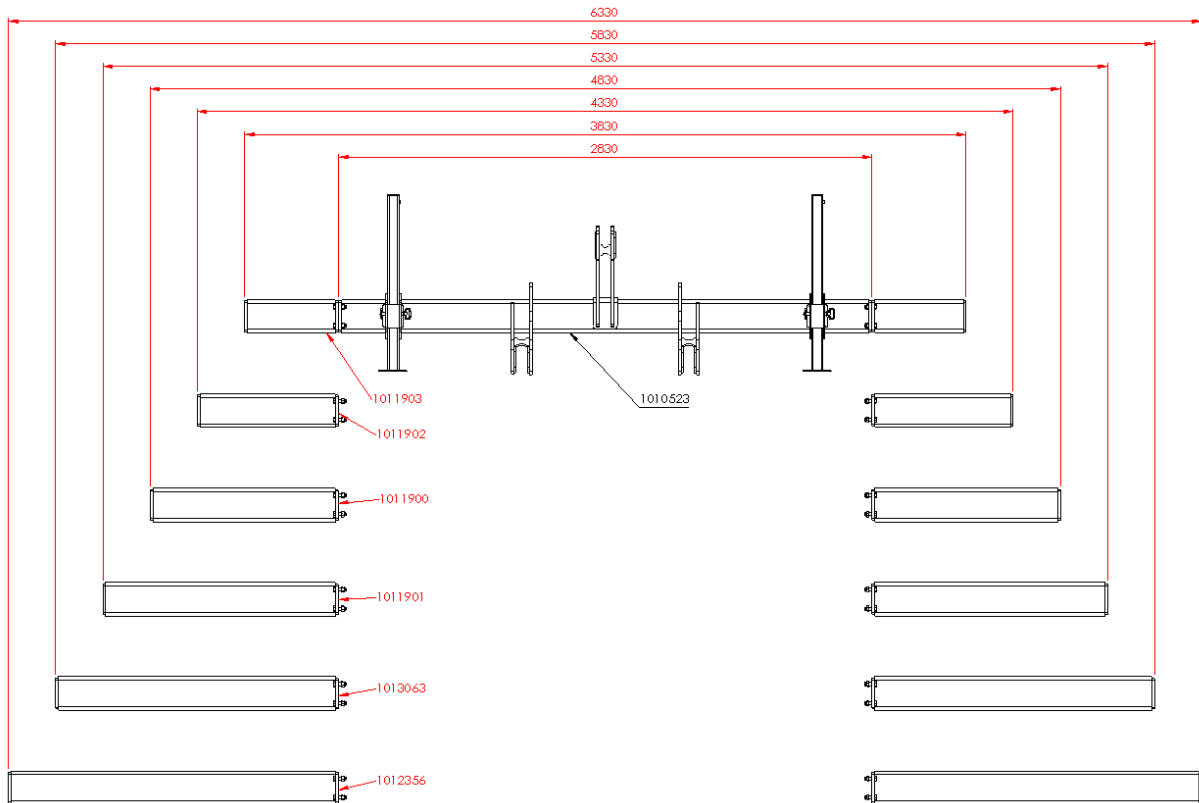


SUMMARY

1013060	CHASSIS ASSEMBLY	3
1015012	WING EXTENSION ASSEMBLY	4
	ROW CONFIGURATION	5
1013188	WING WEIGHT ASSEMBLY	6
	WEIGHT TABLE	7
1015257	DISTRIBUTION SUPPORT ASSEMBLY	8
1015000	DISTRIBUTION HEAD ASSEMBLY	9
1012408	HOSE GUIDE ASSEMBLY	10
1010509	GAUGE WHEEL RH	11
1010510	GAUGE WHEEL LH	12
1014384	ACCESSORIES KIT	13
1015254	ROW UNIT LOCKING KIT	15
	WARNING STICKERS	16

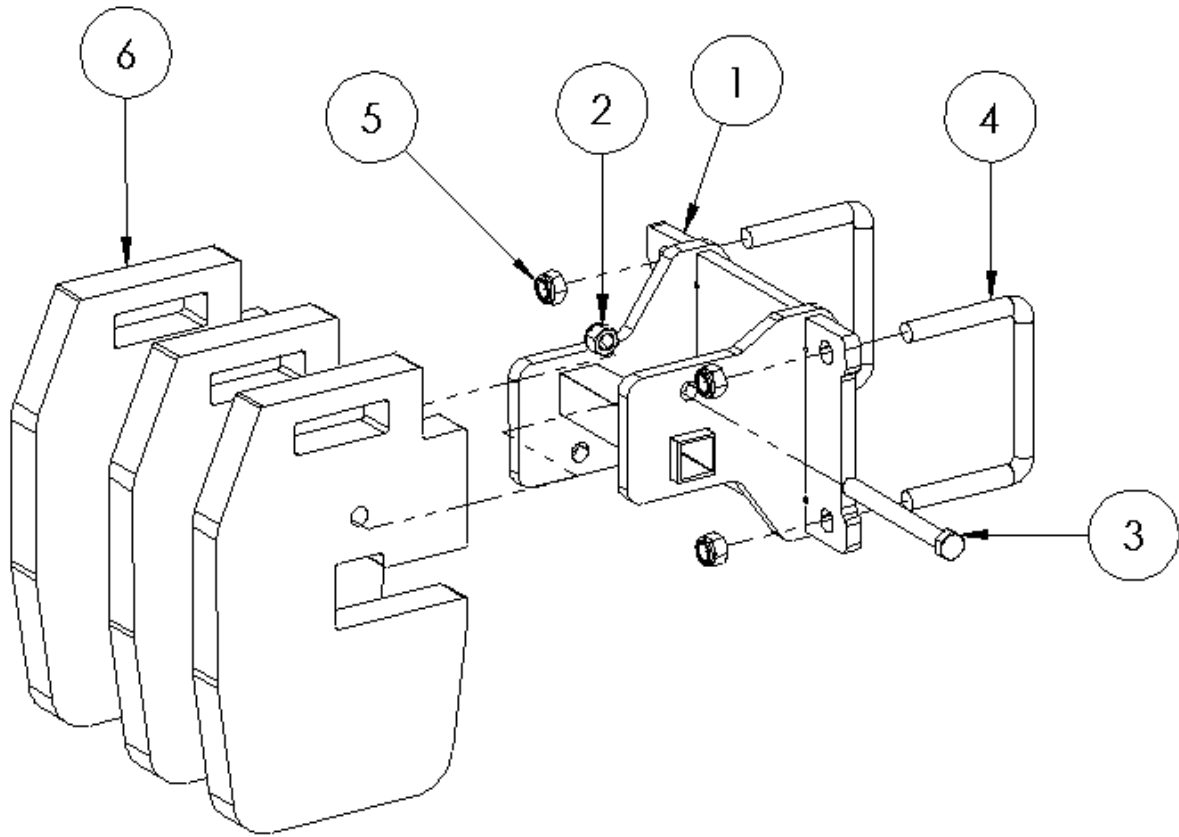


ITEM NO.	PART NUMBER	DESCRIPTION	QTY
1	1010523	RIGID FRAME 3m	1
2	1014393	LOWR LINK BALL CAT.3	2
3	1012405	TOP LINK BALL CAT.3	1
4	1012406	PIN WITH HANDLE 37x175mm	2
5	1012407	PIN 32x125mm CAT 3	1
6	1010519	LYNCHPIN Ø12x55	1
7	1012257	OPERATORS MANUAL WARNING STICKER	1
8	1012260	HYDRAULIC LEAK WARNING STICKER	1
9	1010252	STAND MOUNT	2
10	1010255	STAND	2
11	1010494	U-BOLT 180x180 M16	2
12	1011233	HEX LOCK NUT M16 ZN	4
13	1010236	PLUG FOR TUBE 60x60mm PLASTIC	2
14	1010260	PIN Ø16x112mm	2
15	1011653	CAP SCREW M10x20 8.8 ZN	2
16	1011227	HEX LOCK NUT M10 ZN	2



ITEM NO.	PART NUMBER	DESCRIPTION	QTY
1	1010523	RIGID FRAME 3m	1
2	1011903	WING EXTESION L500mm ASSEMBLY	2
3	1011902	WING EXTESION L750mm ASSEMBLY	2
4	1011900	WING EXTESION L1000mm ASSEMBLY	2
5	1011901	WING EXTESION L1250mm ASSEMBLY	2
6	1013063	WING EXTESION L1500mm ASSEMBLY	2
7	1012356	WING EXTESION L1750mm ASSEMBLY	2

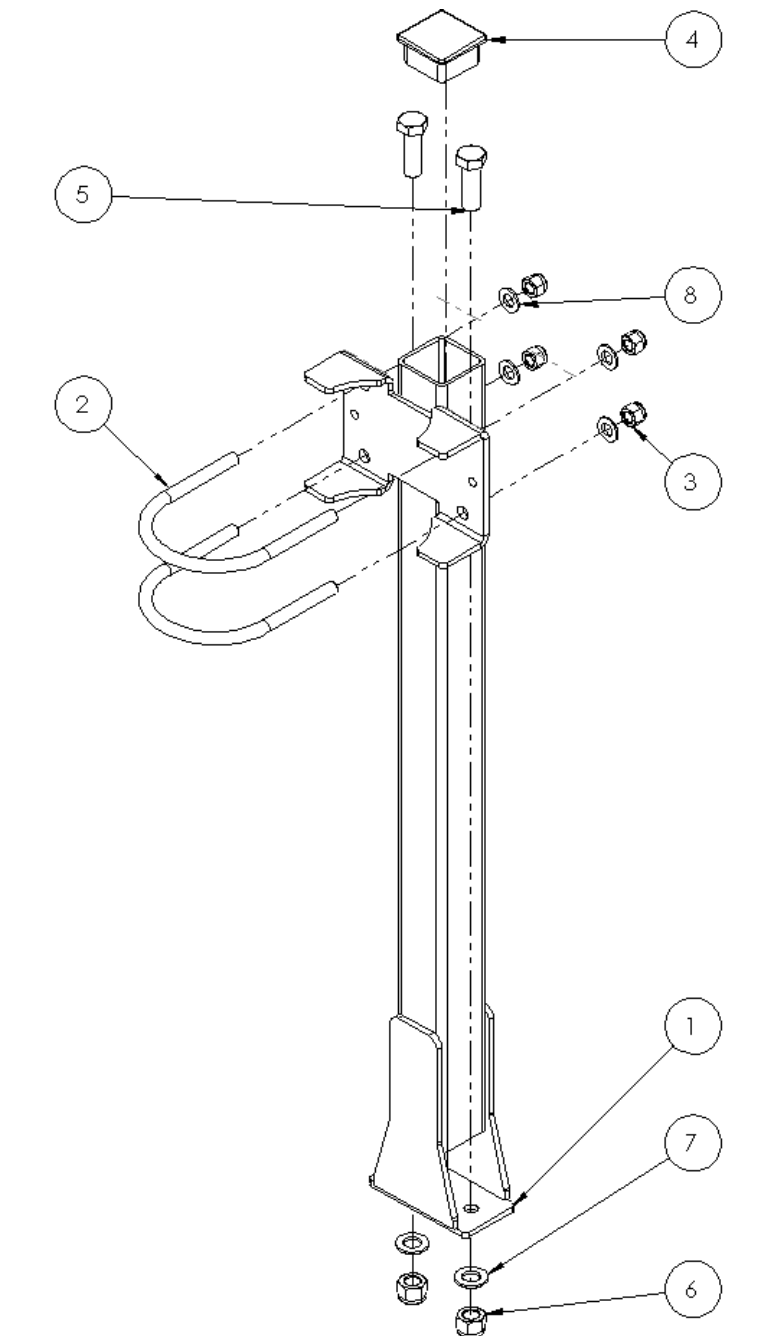
MODEL	NUMBER OF ROW	ROW SPACING (mm)	WING EXTENSION						OFFSET U-BOLT (1010038)
			L500mm (1011903)	L750mm (1011902)	L1000mm (1011900)	L1250mm (1011901)	L1500mm (1013063)	L1750mm (1012356)	
4R70	4	700	-	-	-	-	-	-	2
4R75	4	750	-	-	-	-	-	-	2
5R60	5	600	-	-	-	-	-	-	-
6R50	6	500	-	-	-	-	-	-	-
6R70	6	700	2	-	-	-	-	-	2
6R75	6	750	-	2	-	-	-	-	2
6R80	6	800	-	2	-	-	-	-	-
8R70	8	700	-	-	-	2	-	-	2
8R75	8	750	-	-	-	-	2	-	2
8R80	8	800	-	-	-	-	-	2	-
9R60	9	600	-	-	-	2	-	-	-
10R60	10	600	-	-	-	-	2	-	-
11R56	11	560	-	-	-	-	-	2	-
11R60	11	600	-	-	-	-	-	2	-
12R45	12	450	-	-	-	-	2	-	-
12R50	12	500	-	-	-	-	-	2	-



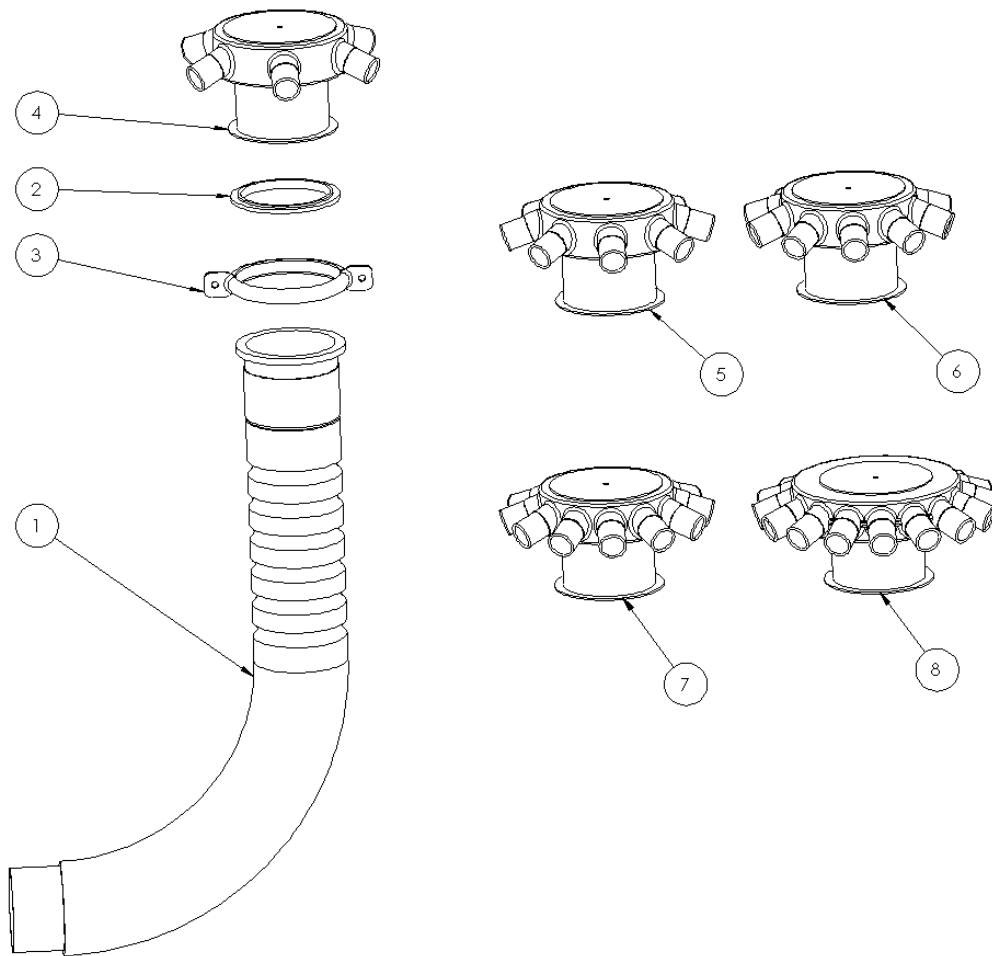
ITEM NO.	PART NUMBER	DESCRIPTION	QTY
1	1013187	WEIGHT HOLDER UNIT	1
2	1011235	HEX LOCK NUT M20 ZN	1
3	1011144	HEX BOLT M20x200 8.8 ZN	1
4	1010034	U-BOLT 180x100 M22	2
5	1010272	HEX LOCK NUT M22 ZN	4
6	1013180	WEIGHT 55kg	3

1010790	CENTRE FRAME OF THE CHASSIS ASSEMBLY	EN	02/2020
---------	--------------------------------------	----	---------

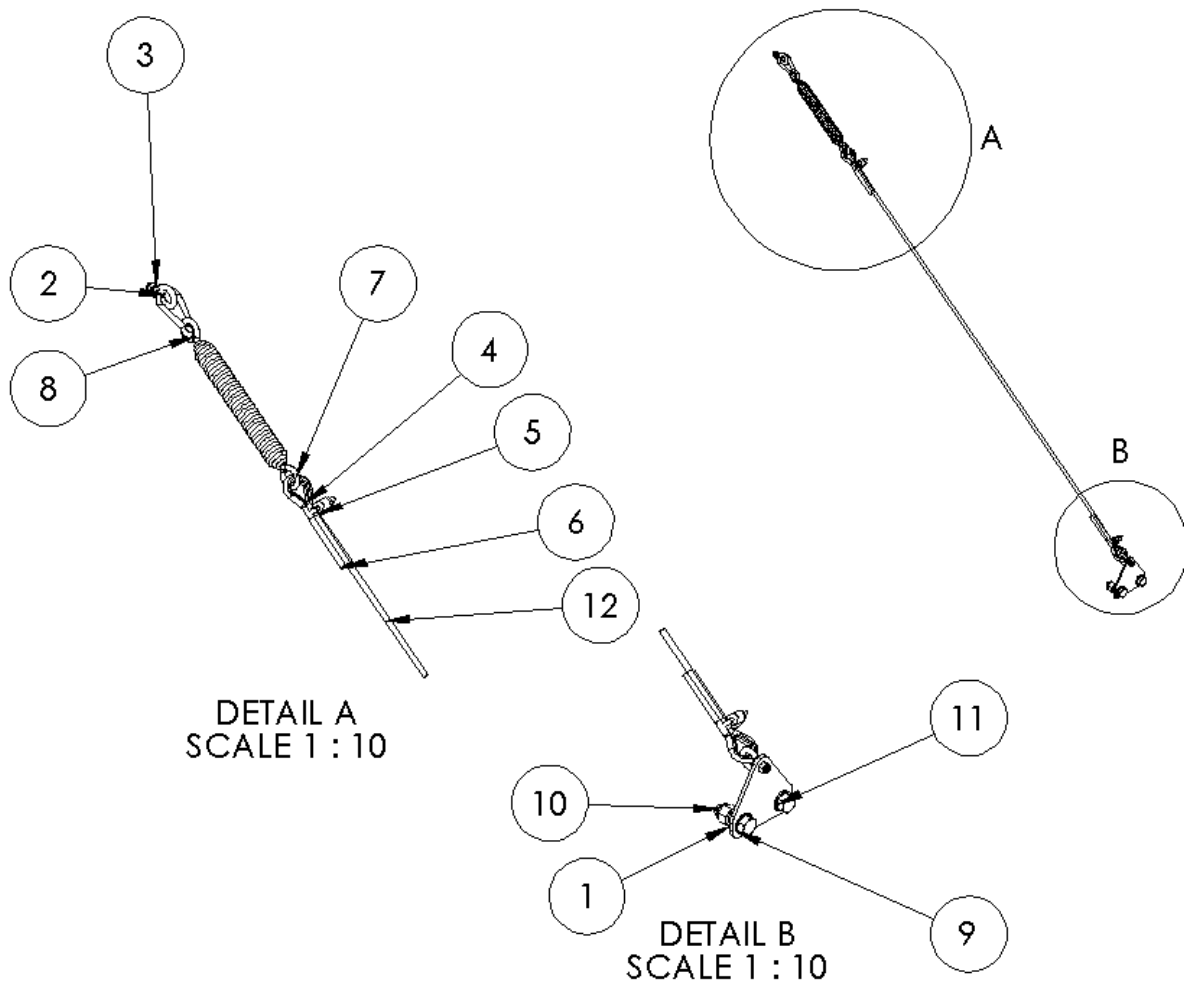
MODEL	NUMBER OF ROW	ROW SPACING (mm)	WEIGHT PER ROW (kg)		
			FRAME AND EXTENSIONS	+ GAUGE WHEELS	+ 2 WING WEIGHTS
4R70	4	700	57	32	100
4R75	4	750	57	32	100
5R60	5	600	46	26	80
6R50	6	500	38	22	67
6R70	6	700	49	22	67
6R75	6	750	53	22	67
6R80	6	800	53	22	67
8R70	8	700	46	16	50
8R75	8	750	49	16	50
8R80	8	800	53	16	50
9R60	9	600	41	14	44
10R60	10	600	40	13	40
11R56	11	560	38	12	36
11R60	11	600	38	12	36
12R45	12	450	33	11	33
12R50	12	500	35	11	33



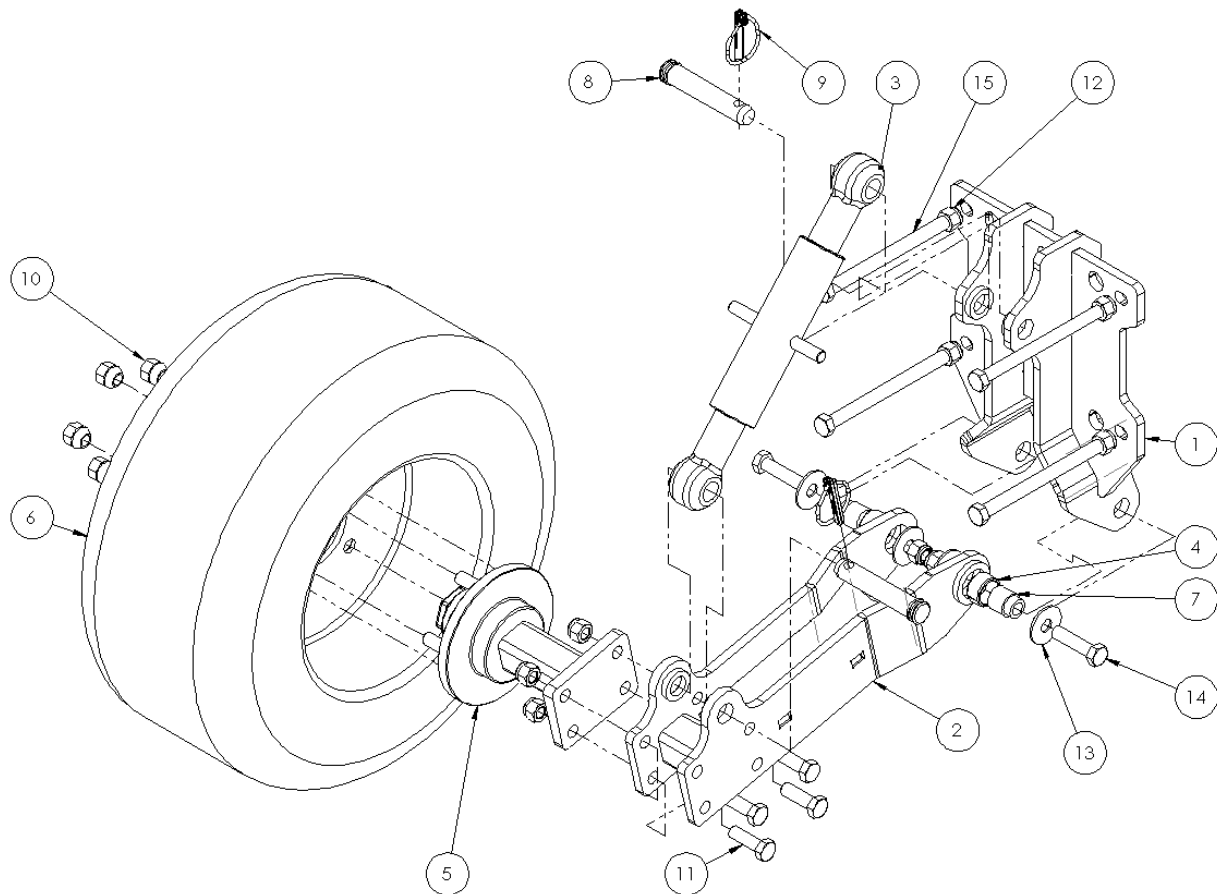
ITEM NO.	PART NUMBER	DESCRIPTION	QTY
1	1014620	DISTRIBUTION SUPPORT	1
2	1010054	U-BOLT Ø114 M12	2
3	1011229	HEX LOCK NUT M12 ZN	4
4	1010236	PLUG FOR TUBE 60x60mm PLASTIC	1
5	1011103	HEX BOLT M16x50 8.8 ZN	2
6	1011233	HEX LOCK NUT M16 ZN	2
7	1011439	WASHER M16 ZN	2
8	1011437	WASHER M12 ZN	4



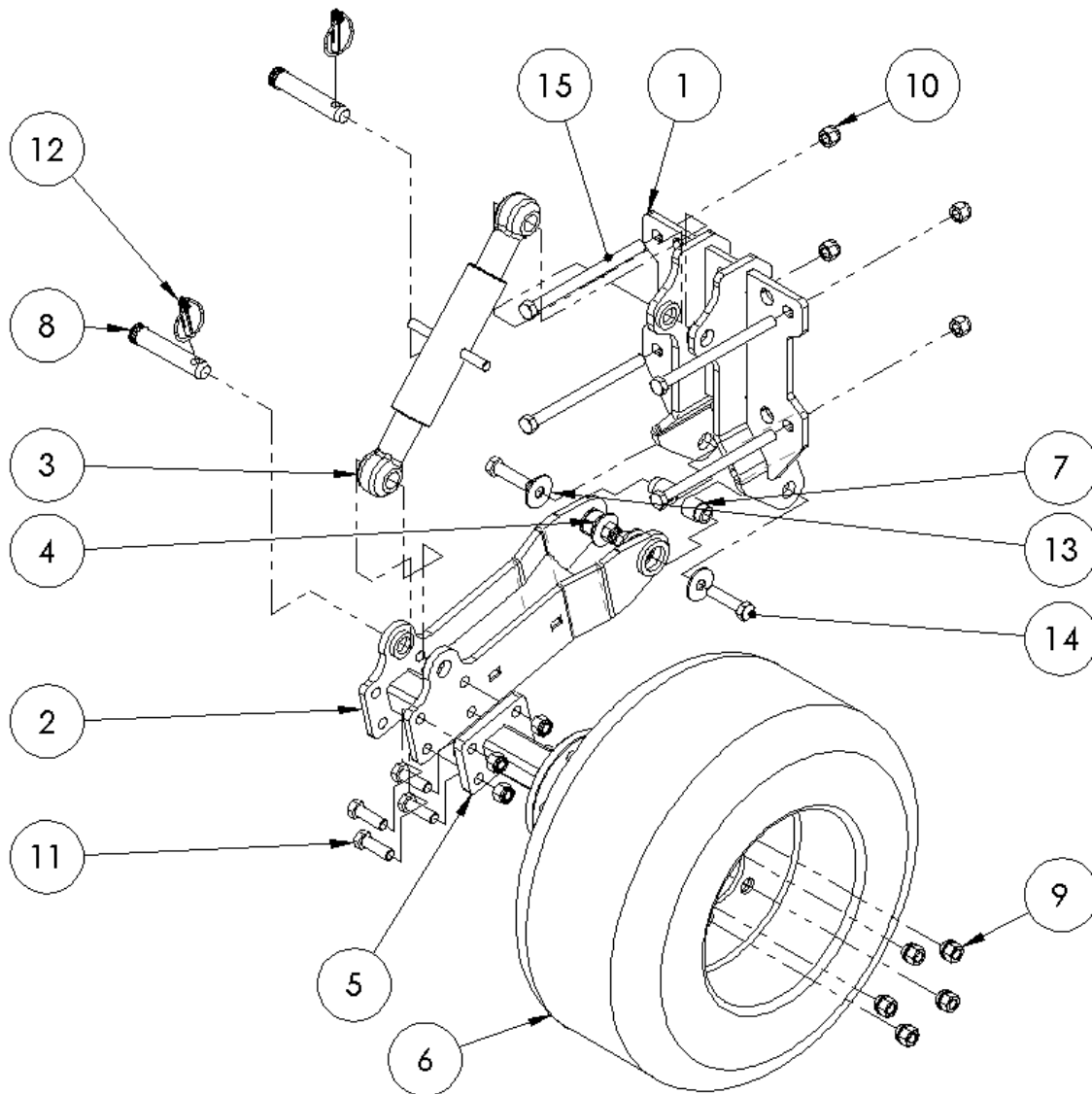
ITEM NO.	PART NUMBER	DESCRIPTION	QTY
1	1010405	DISTRIBTUION HEAD TUBE $\varnothing 100$	1
2	1010459	SEAL PVC	1
3	1010465	CLAMP $\varnothing 130\text{mm}$	1
4	1010933	DISTRIBUTION HEAD 6x $\varnothing 32$	1
5	1010406	DISTRIBUTION HEAD 8x $\varnothing 32$	1
6	1010460	DISTRIBUTION HEAD 10x $\varnothing 32$	1
7	1010461	DISTRIBUTION HEAD 12x $\varnothing 32$	1
8	1010462	DISTRIBUTION HEAD 16x $\varnothing 32$	1



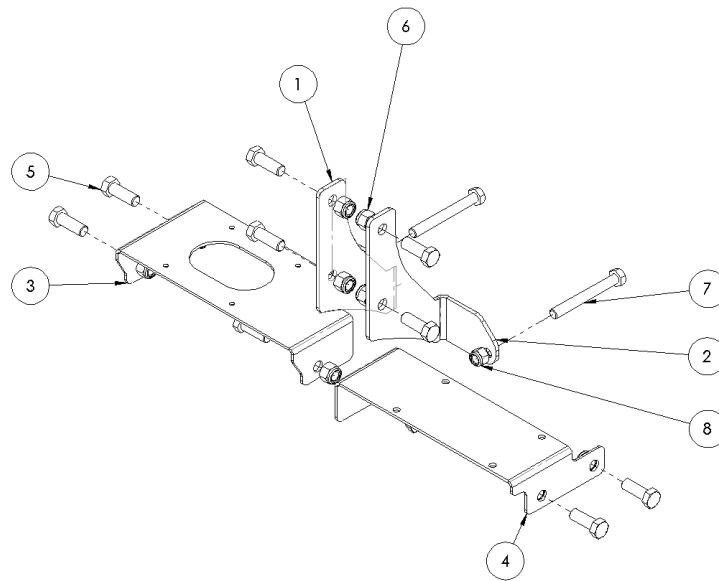
ITEM NO.	PART NUMBER	DESCRIPTION	QTY
1	1012376	CABLE SUPPORT PLATE	1
2	1011984	EYE BOLT M8 A2	2
3	1011194	HEX LOCK NUT M8 ZN	2
4	1010390	WIRE ROPE THIMBLE \varnothing 8mm ZN	2
5	1010389	WIRE ROPE GRIP \varnothing 8mm ZN	2
6	1010547	HEAT SHRINK TUBING	2
7	1010028	TENSION SPRING \varnothing 30x5 L0=268mm	1
8	1013007	SNAP HOOK 80x8mm	1
9	1011439	WASHER M16 ZN	2
10	1011233	HEX LOCK NUT M16 ZN	2
11	1011103	HEX BOLT M16x50 8.8 ZN	2
12	1012409	STEEL CABLE 8mm	1



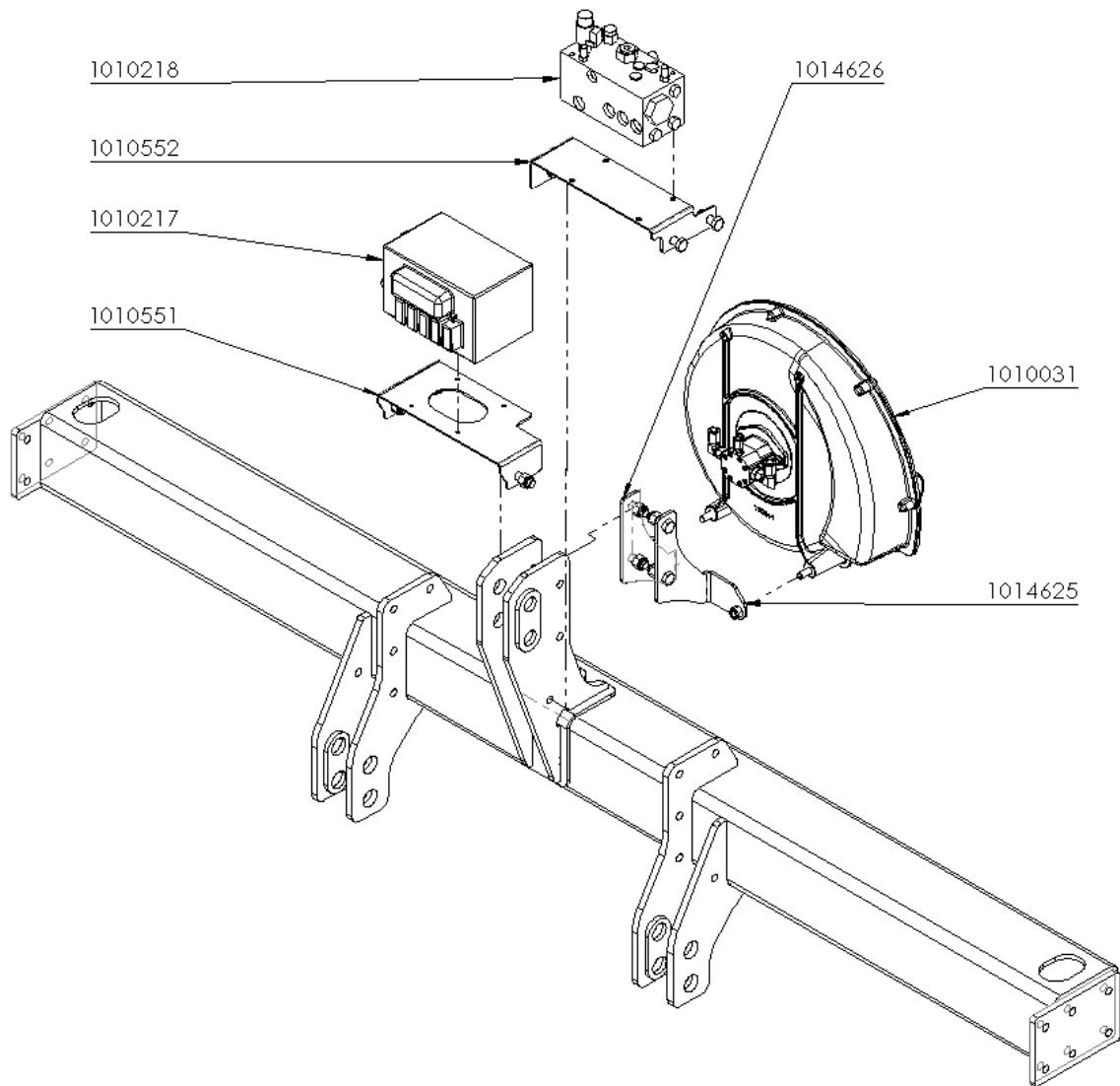
ITEM NO.	PART NUMBER	DESCRIPTION	QTY
1	1010226	MOUNTING BRACKET	1
2	1010506	SUPPORT GAUGE WHEEL	1
3	1010508	TOP LINK CAT.2 360-530mm	1
4	1010507	EXPANSION BUSH Ø30/38-20	2
5	1010501	STUB AXLE	1
6	1010511	WHEEL 23x10.5 12TR	1
7	1010513	BUSH Ø16.5/30x24/35	2
8	1010514	PIN Ø25x110mm ZN	2
9	1010519	LYNCHPIN Ø12x55	2
10	1010529	WHEEL NUT M16x1.5 ZN	5
11	1011350	HEX BOLT M16x50 8.8 ZN	4
12	1011233	HEX LOCK NUT M16 ZN	10
13	1011463	WASHER LARGE M16 ZN	4
14	1011106	HEX BOLT M16x65 8.8 ZN	2
15	1011124	HEX BOLT M16x220 8.8 ZN	4



ITEM NO.	PART NUMBER	DESCRIPTION	QTY
1	1010226	MOUNTING BRACKET	1
2	1010506	SUPPORT GAUGE WHEEL	1
3	1010508	TOP LINK CAT.2 360-530mm	1
4	1010507	EXPANSION BUSH Ø30/38-20	2
5	1010501	STUB AXLE	1
6	1010511	WHEEL 23x10.5 12TR	1
7	1010513	BUSH Ø16.5/30x24/35	2
8	1010514	PIN Ø25x110mm ZN	2
9	1010529	WHEEL NUT M16x1.5 ZN	5
10	1011233	HEX LOCK NUT M16 ZN	10
11	1011350	HEX BOLT M16x50 8.8 ZN	4
12	1010519	LYNCHPIN Ø12x55	2
13	1011463	WASHER LARGE M16 ZN	4
14	1011106	HEX BOLT M16x65 8.8 ZN	2
15	1011124	HEX BOLT M16x220 8.8 ZN	4

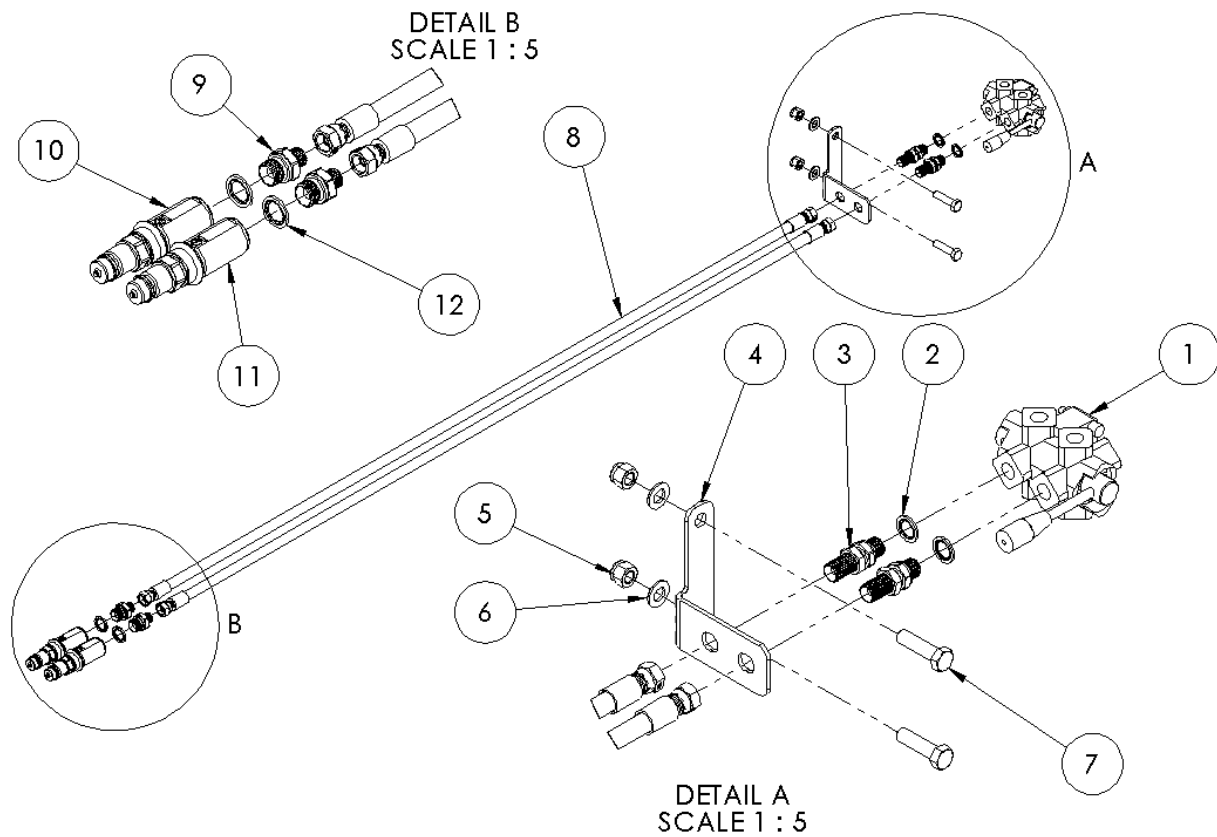


ITEM NO.	PART NUMBER	DESCRIPTION	QTY
1	1014626	MOUNTING PLATE RH	1
2	1014625	MOUNTING PLATE LH	1
3	1010551	PDM MOUNT	1
4	1010552	HYDRAULIC BLOCK MOUNT	1
5	1011966	HEX BOLT M16x45 8.8 ZN	10
6	1011233	HEX LOCK NUT M16 ZN	10
7	1014553	HEX BOLT M14x120 8.8 ZN	2
8	1011231	HEX LOCK NUT M14 ZN	2








ITEM NO.	PART NUMBER	DESCRIPTION	QTY
1	1010031	TURBINE	1
2	1014626	MOUNTING PLATE RH	1
3	1014625	MOUNTING PLATE LH	
4	1010551	PDM MOUNT	1
5	1010216	ALTERNATOR	1
6	1010217	PDM	1
7	1010552	HYDRAULIC BLOCK MOUNT	1
8	1010218	HYDRAULIC BLOCK	1

1



ITEM NO.	PART NUMBER	DESCRIPTION	QTY
1	1014644	DIVERTER VALVE 6 WAY 3/8" BSP	1
2	1012018	3/8" DOWTY SEAL	2
3	1012036	BULKHEAD FITTING 3/8" BSP	2
4	1014220	BALL VALVE MOUNT	1
5	1011229	HEX LOCK NUT M12 ZN	2
6	1011437	WASHER M12 ZN	2
7	1011077	HEX BOLT M12x45 8.8 ZN	2
8	1015255	LOCKING KIT HOSE	2
9	1012034	ADAPTOR M/M 3/8" / 1/2" BSP	2
10	1014456	COUPLER RED + BG3	1
11	1014457	COUPLER RED - BG3	1
12	1012019	1/2" DOWTY SEAL	2

ITEM NO.	PART NUMBER	DESCRIPTION		QTY
1	1012257	Operators Manual warning		1
2	1012260	Hydraulic Leak Warning		1
3	1012261	Overhead Lines Warning Sticker		0
4	1012262	Unfolding Parts Warning Sticker		0
5	1012264	Crush Risk Warning Sticker		0